

CONTRACTOR(S) SHALL VERIFY EXISTING CONDITIONS AND CORRELATE DIMENSIONS PRIOR TO PROVIDING THE WORK DETAILED IN THESE DRAWINGS AND SHALL PROMPTLY NOTIFY THE ARCHITECT OF ANY DISCREPANCIES.

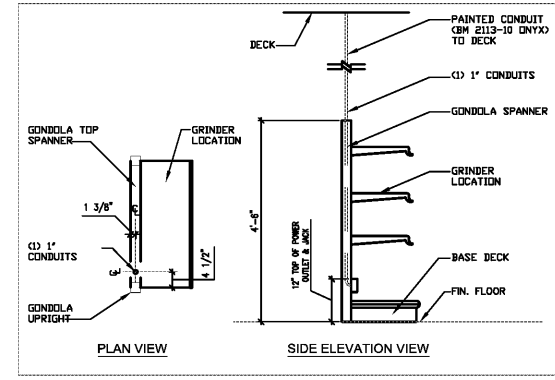
POWER PLAN NOTES Rev. 11/22/11

Table with 2 columns: NO. and DESCRIPTION. Contains notes 10, 18, and 40 regarding workstation power, unistrut support, and circuit connection.

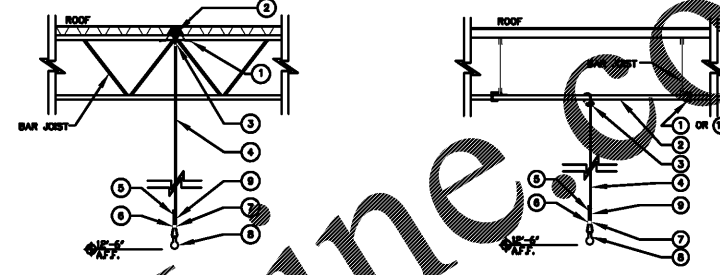
INSTALLATION INSTRUCTIONS

- 1. CADDY KIT HANGER.
1A. CADDY KIT HANGER OR FLANGE MOUNT CONDUIT CLIP PUSH-IN.
2. 3/4" CONDUIT.
3. THREAD THE TAIL OF THE CABLE AROUND CONDUIT.
4. CABLE TO BE HUNG 90 DEGREES FROM BANNER TO SUPPORT ABOVE (TYP.).
5. WRAP SLACK AROUND MAIN CABLE LINE.
6. PUSH THE CABLE TAIL END THROUGH GROOVE OF THE FASTENER.
7. RETURN THE CABLE TO THE FASTENER AND PUSH THROUGH THE SECOND GROOVE. PULL THE DESIRED LENGTH OF CABLE THROUGH SO THAT THE BOTTOM OF THE PEAR CLIP IS 12"-0" A.F.F.
8. 2 1/2" L PEAR CLIP TO BE ATTACHED TO LOOP END OF CABLE.
9. PROVIDE A MIN. OF 6" OF SLACK.

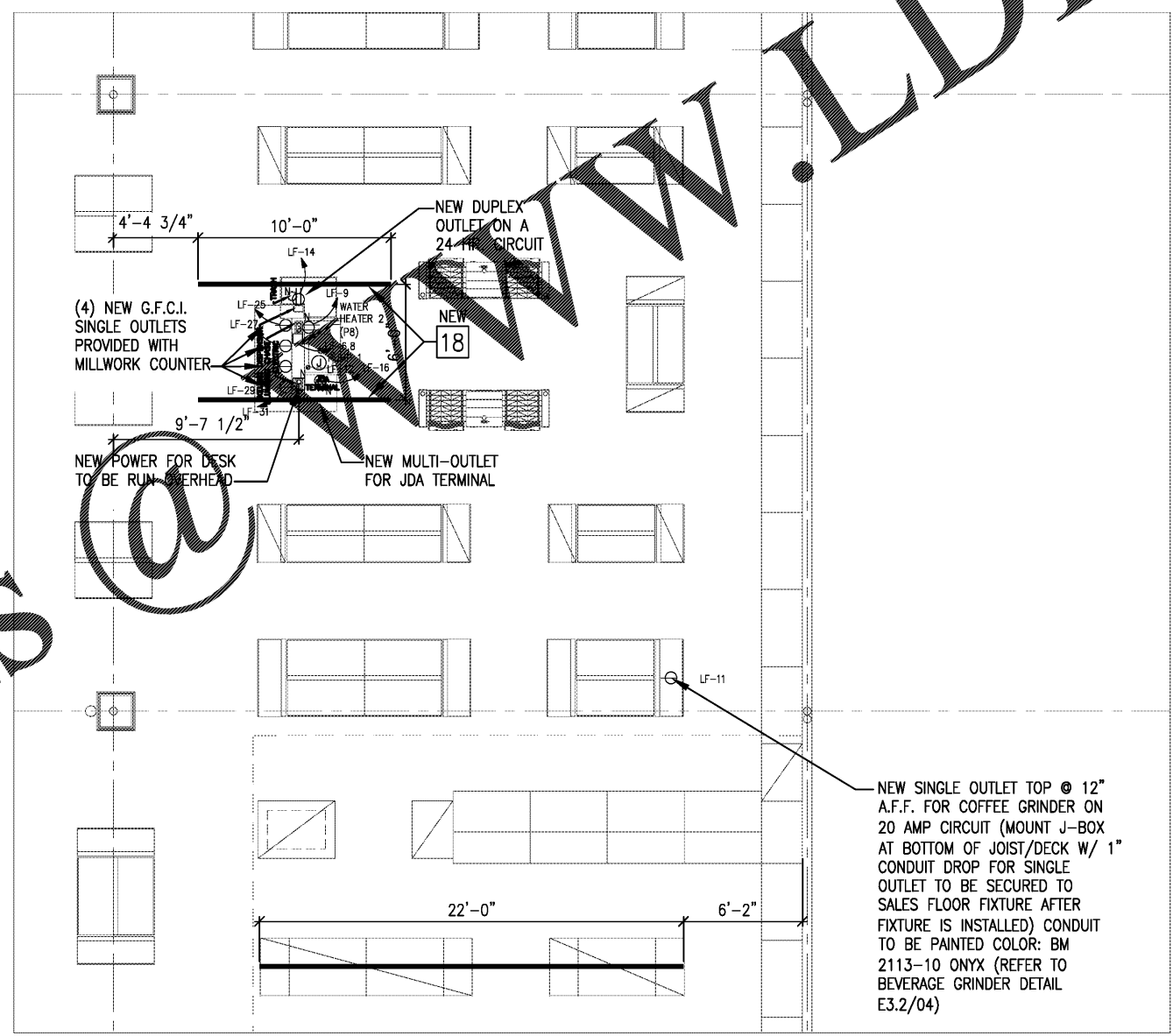
NOTE: CABLE AND PEAR CLIP TO BE PURCHASED FROM B&B NATIONAL ACCOUNT NUMBER 0000. REFER TO SPECIFICATIONS SECTION 01000 FOR CONTACT INFORMATION.



GRINDER DETAIL 04
SCALE: 1/8"=1'-0"



BANNER CABLE/CLIP DETAIL 17
SCALE: N.T.S.



NEW SINGLE OUTLET TOP @ 12" A.F.F. FOR COFFEE GRINDER ON 20 AMP CIRCUIT (MOUNT J-BOX AT BOTTOM OF JOIST/DECK W/ 1" CONDUIT DROP FOR SINGLE OUTLET TO BE SECURED TO SALES FLOOR FIXTURE AFTER FIXTURE IS INSTALLED) CONDUIT TO BE PAINTED COLOR: BM 2113-10 ONYX (REFER TO BEVERAGE GRINDER DETAIL E3.2/04)

BEVERAGE AREA POWER PLAN 01
SCALE: 1/4"=1'-0"



Order Plans @www.wldline.com



BED BATH & BEYOND Beyond any store of its kind.
CORPORATE OFFICES: 650 LIBERTY AVE UNION, NJ 07083 (908) 688-0888 (OFFICE) (908) 688-0295 (FAX)
PROJECT NAME & LOCATION: # 103 ALPHARETTA, GA 6050 NORTH POINT PARKWAY ALPHARETTA, GA 30022

Table with columns: DISTRIBUTION, OWNER REVIEW, PERMIT SET, DATE, and values: 09/13/18, 09/25/18.

ENLARGED POWER PLAN (HBC & BEDDING) E3.2