

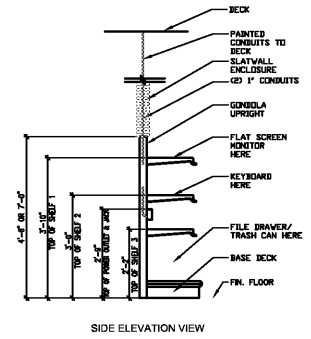
CONTRACTOR(S) SHALL VERIFY EXISTING CONDITIONS AND CORRELATE DIMENSIONS PRIOR TO PROVIDING THE WORK DETAILED IN THESE DRAWINGS. AND SHALL PROMPTLY NOTIFY THE ARCHITECT OF ANY DISCREPANCIES.

POWER PLAN NOTES Rev. 11/22/11

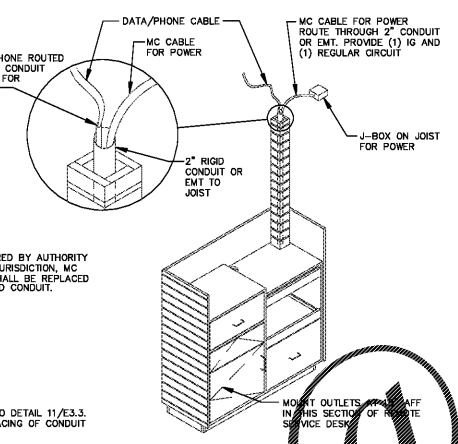
NO.	DESCRIPTION
1	JUNCTION BOX WITH DEDICATED CIRCUIT MOUNTED AT 16'-6" AFF OR DECK OR JOIST FOR SPECIALTY LIGHTING. AFTER BBB FIXTURING IS INSTALLED, ELECTRICAL SUBCONTRACTOR TO PROVIDE J-BOX W/ (2) CIRCUIT DISTRIBUTORS (CD) ON DISPLAY UNIT WITHIN 12'-0" OF J-BOX AND 6'-0" AFF AND MAKE FINAL CONNECTION USING WHITE SJ CORD. ELECTRICAL CONTRACTOR IS RESPONSIBLE FOR ALL ELECTRICAL CONNECTIONS. IF REQUIRED BY LOCAL CODE THE ELECTRICAL CONTRACTOR MUST HARDWIRE IN EMT FROM THE J-BOX AT THE CEILING TO THE SPECIALTY LIGHTING. REFER TO DETAIL 04/E3.0.
2	ELECTRICAL SUBCONTRACTOR TO PROVIDE PLUGMOLD. AFTER BBB FIXTURING IS INSTALLED, ELECTRICAL CONTRACTOR TO PROVIDE DUPLEX OUTLET IN LOCATION AS PER BBB FINAL LAYOUT, USING WHITE SJ CORD. ELECTRICAL CONTRACTOR TO PROVIDE AND INSTALL PLUGMOLD - WIREMOLD NO.09043, CATALOG NO. V20-C2.
3	PROVIDE POWER AS SHOWN AT JOIST FOR FUTURE REGISTER LOCATION. PROVIDE ONE IG CIRCUIT AND A REGULAR CIRCUIT.
5	JUNCTION BOX MOUNTED AT BAR JOIST FOR CONNECTION TO DISPLAY FIXTURE. AFTER BBB FIXTURING IS INSTALLED, ELECTRICAL SUBCONTRACTOR TO PROVIDE DUPLEX OUTLET IN LOCATION AS PER BBB FINAL LAYOUT. PROVIDE WHITE SJ CORD, OR HARD WIRE WITH EMT IF REQUIRED BY THE AUTHORITY HAVING JURISDICTION, FROM THE CEILING JUNCTION BOX TO THE DUPLEX OUTLET. PROVIDE (1) DUPLEX OUTLET FOR EVERY (2) PLUGMOLDS. EACH OUTLET IS IT'S OWN CIRCUIT.
6	AT ALL REMOTE SERVICE DESKS: PROVIDE J-BOX FOR POWER. J-BOX SHOULD INCLUDE (1) IG CIRCUIT FOR EACH I.G. DUPLEX OUTLET AND (1) CIRCUIT FOR EVERY (2) REGULAR DUPLEX OUTLETS. PROVIDE A PULL BOX AND 2" CONDUIT. ALL REMOTE SERVICE DESKS ARE FURNISHED WITH OUTLETS ALREADY INSTALLED AS SHOWN ON DETAIL 05/E3.0 (NOTE: DATA/TELEPHONE OUTLET SUPPLIED, INSTALLED AND WIRED BY BBB). ELECTRICAL CONTRACTOR TO RUN CIRCUITS TO ALL OUTLETS. ALSO REFER TO DETAIL 06/E3.0.
9	COLUMN MOUNTED REMOTE SERVICE DESK: MULTI-OUTLET PROVIDED BY G.C., CENTERLINE OF MULTI-OUTLET TO BE MTD. @ 23" AFF.
10	WORKSTATION: PROVIDE J-BOX AT JOIST FOR POWER. J-BOX SHOULD INCLUDE (1) IG CIRCUIT FOR EACH I.G. DUPLEX OUTLET AND (1) CIRCUIT FOR EVERY (2) REGULAR DUPLEX OUTLETS. PROVIDE A PULL BOX AND 2" CONDUIT TO JOIST ABOVE. (NOTE: DATA/TELEPHONE OUTLET SUPPLIED & INSTALLED BY BBB). (SEE WORKSTATION DETAIL)
18	UNISTRUT DOES NOT REQUIRE POWER. PROVIDE SUPPORT 4'-0" ON CENTER, MOUNTED @ 16'-6" AFF. CENTERED ON DESK.
26	DISCONNECT POWER/DATA CONDUITS AT EXISTING REGISTERS. RECONNECT TO ALL OUTLETS IN REGISTERS, IN NEW 2" POWER POLE. (WIREMOLD-MODEL# 25DTC-415 DG). INCLUDE (1) I.G. CIRCUIT FOR I.G. DUPLEX OUTLETS & (1) CIRCUIT FOR EVERY (2) REGULAR DUPLEX OUTLETS. ALL REGISTERS ARE FURNISHED WITH OUTLETS. (TYP.)
40	CONTRACTOR TO CONNECT CIRCUIT TO NEAREST AVAILABLE PANEL WITH SPARE AMPACITY. IT SHALL BE THE RESPONSIBILITY OF THE ELECTRICAL CONTRACTOR TO AMPOBE THE CIRCUIT PRIOR TO ADDING ADDITIONAL LOAD TO DETERMINE ADEQUATE CAPACITY. NO RECEPTACLE BRANCH CIRCUIT SHALL EXCEED 16 AMPS. CONTRACTOR TO UTILIZE DEMOED AND RELOCATED CIRCUITS WHERE POSSIBLE.

REMODEL SYMBOL LEGEND

	EXISTING RECEPTACLE, 20A, 120V - 18" AFF HUBELL #53621
	EXISTING GROUND FAULT INTERRUPTING RECEPTACLE, 20A, GROUND 120V - 18" AFF
	EXISTING ISOLATED GROUND RECEPTACLE 20A, 120V - 18" AFF HUBELL# IG5362 (ORANGE)
	EXISTING UNISTRUT MOUNTED RECEPTACLE, 20A, 120V
	EXISTING DUPLEX OUTLET MOUNTED TO COLUMN @ 14'-6" A.F.F.
	THIS SYMBOL REPRESENTS AN EXISTING MULTIOUTLET ARRANGEMENT
	EXISTING JUNCTION BOX
	THIS SYMBOL REPRESENTS A NEW MULTIOUTLET ARRANGEMENT
	NEW JUNCTION BOX
	THIS SYMBOL REPRESENTS A NEW QUAD OUTLET
	NEW DUPLEX OUTLET MOUNTED TO COLUMN @ 14'-6" A.F.F.
	NEW UNISTRUT MOUNTED RECEPTACLE, 20A, 120V
	NEW ISOLATED GROUND RECEPTACLE 20A, 120V - 18" AFF HUBELL# IG5362 (ORANGE)
	NEW DUPLEX RECEPTACLE, 20A, 120V - 18" AFF HUBELL #53621
	NEW OVERHEAD POWER AND DATA SUPPLY REF.
	60° DOUBLE CONNECTOR - WIRE AS PER CODE
	180° DOUBLE CONNECTOR - WIRE AS PER CODE



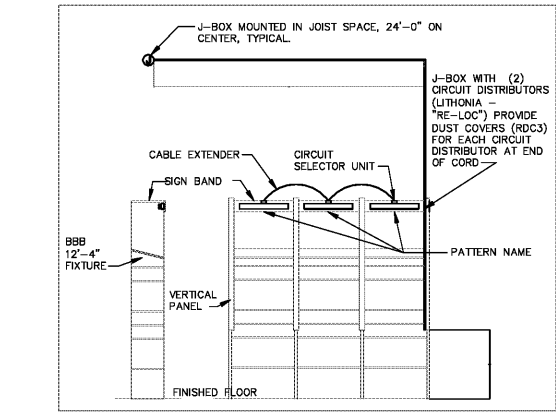
WORKSTATION DETAIL 02
SCALE: NTS



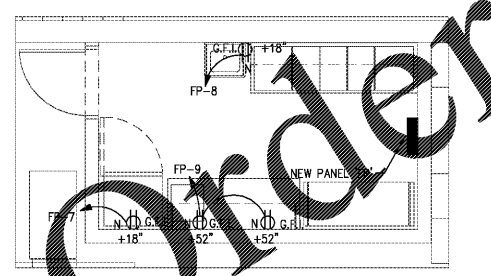
REMOTE SERVICE DESK 06
SCALE: NTS

SPECIALTY LIGHTING FIXTURE SCHEDULE Rev. 5/29/18

SYMBOL	DESCRIPTION	MOUNTING
	0'-0" H.B.C. DISPLAY LAMP PURCHASED THRU NESCO	LIGHTS TO BE RELOCATED FROM EXISTING HBC. G.C. TO SUPPLEMENT AS NEEDED
	3'-0" H.B.C. DISPLAY LAMP PURCHASED THRU NESCO	LIGHTS TO BE RELOCATED FROM EXISTING HBC. G.C. TO SUPPLEMENT AS NEEDED
	4'-0" SIGNBAND W/ SINGLE LAMP	EXISTING (U.O.N.) & THEREFORE SUPPLIED & INSTALLED BY BBB
	4'-0" SIGNBAND W/O LIGHT	EXISTING (U.O.N.) & THEREFORE SUPPLIED & INSTALLED BY BBB
	4'-0" DINNERWARE SIGNBAND/LIGHTBOX	EXISTING (U.O.N.) & THEREFORE SUPPLIED & INSTALLED BY BBB
	4'-0" DINNERWARE FLATWARE	EXISTING (U.O.N.) & THEREFORE SUPPLIED & INSTALLED BY BBB
	4'-0" STEMWARE CASE	EXISTING (U.O.N.) & THEREFORE SUPPLIED & INSTALLED BY BBB
	4'-0" SIGN BAND W/ LIGHT & PLUGMOLD	EXISTING (U.O.N.) & THEREFORE SUPPLIED & INSTALLED BY BBB
	PLUGMOLD	PLUGMOLD TO BE RELOCATED FROM EXISTING HBC., G.C. TO SUPPLEMENT AS NEEDED

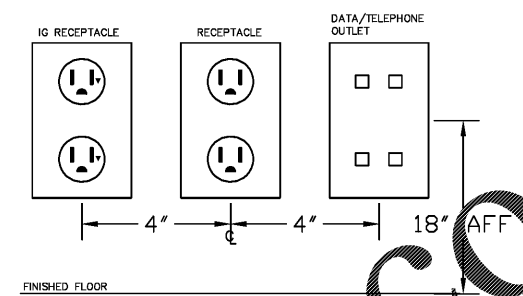


ELEVATION-SIGN BAND W/BBB FIXT. 04
SCALE: 1/8" = 1'-0"

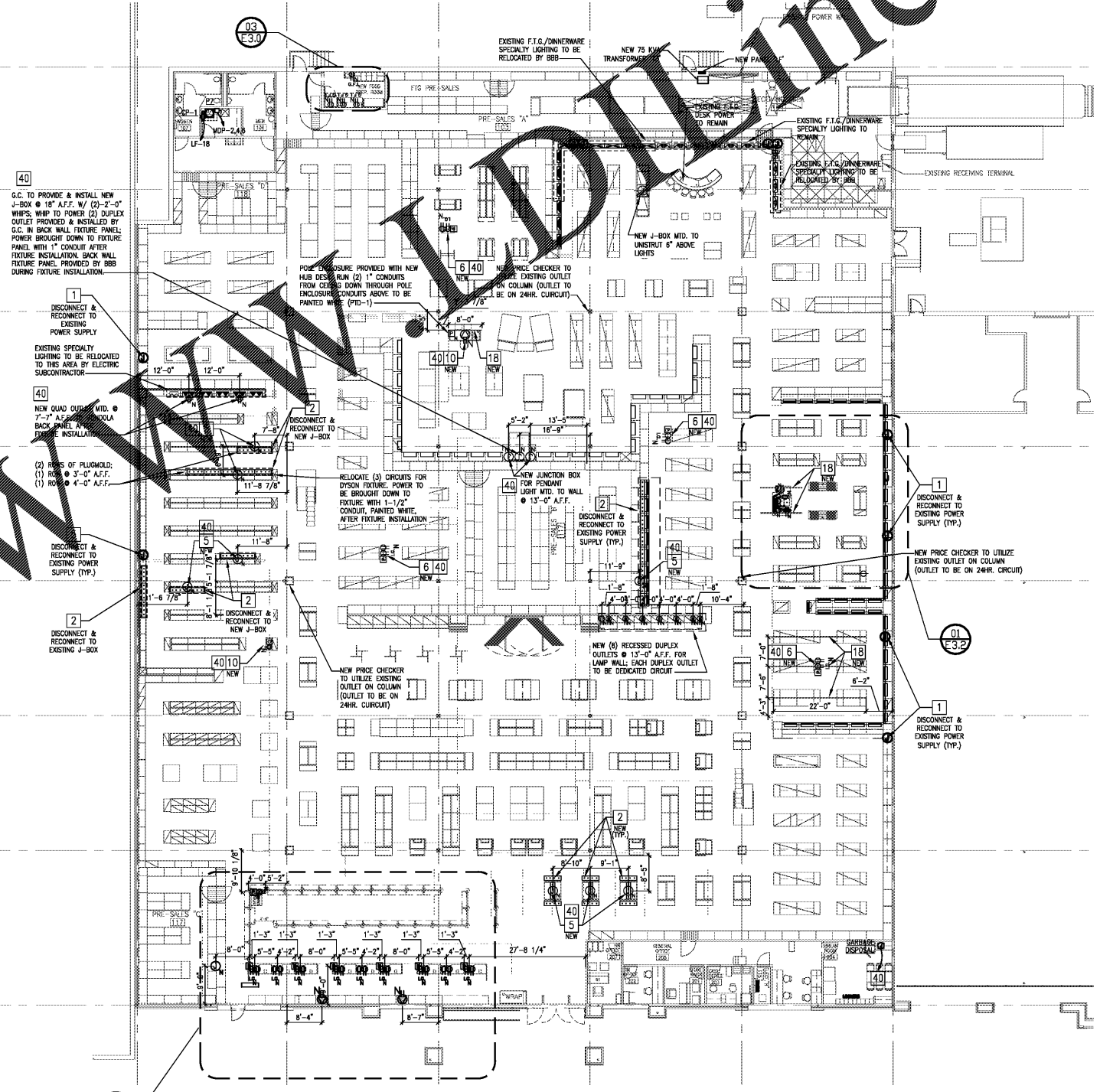


ENLARGED FOOD PREP AREA 03
SCALE: 1/4" = 1'-0"

NOTE:
ALL RECEPTACLES MOUNTED TO UNISTRUT OR STRUCTURE ABOVE (ROOF JOISTS) - EXISTING AND/OR NEW SHOULD BE INSTALLED/REINSTALLED FACING DOWN.



ELECTRICAL OUTLET ELEVATION 05
SCALE: NTS



FLOOR PLAN - POWER 01
SCALE: 1/16" = 1'-0"



BED BATH & BEYOND
Beyond any store of its kind.
PROJECT NAME & LOCATION:
103 ALPHARETTA, GA
6050 NORTH POINT PARKWAY
ALPHARETTA, GA 30022

DISTRIBUTION	DATE
OWNER REVIEW	09/13/18
PERMIT SET	09/25/18

ARCH. PROJECT #	BBB PROJECT #
NI	GW

DRAWING TITLE:
POWER PLAN
E3.0