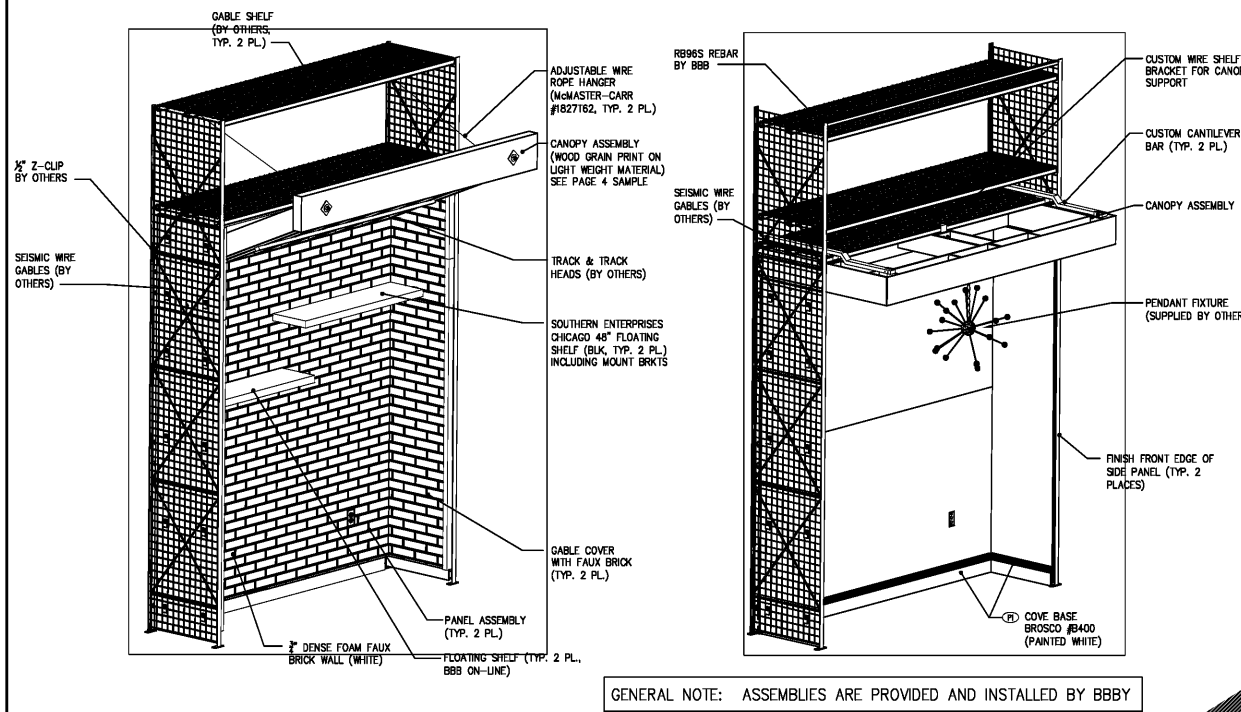
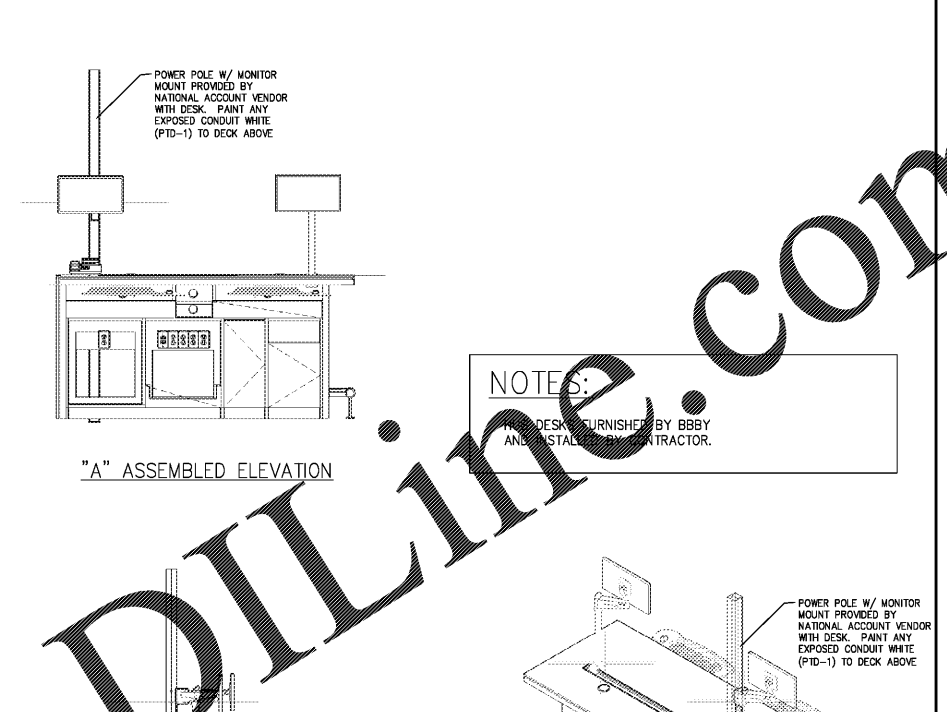


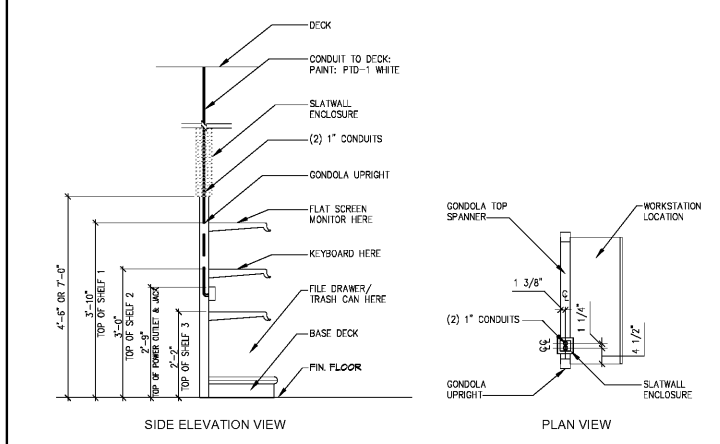
CONTRACTOR(S) SHALL VERIFY EXISTING CONDITIONS AND CORRELATE DIMENSIONS PRIOR TO PROVIDING THE WORK DETAILED IN THESE DRAWINGS, AND SHALL PROMPTLY NOTIFY THE ARCHITECT OF ANY DISCREPANCIES.



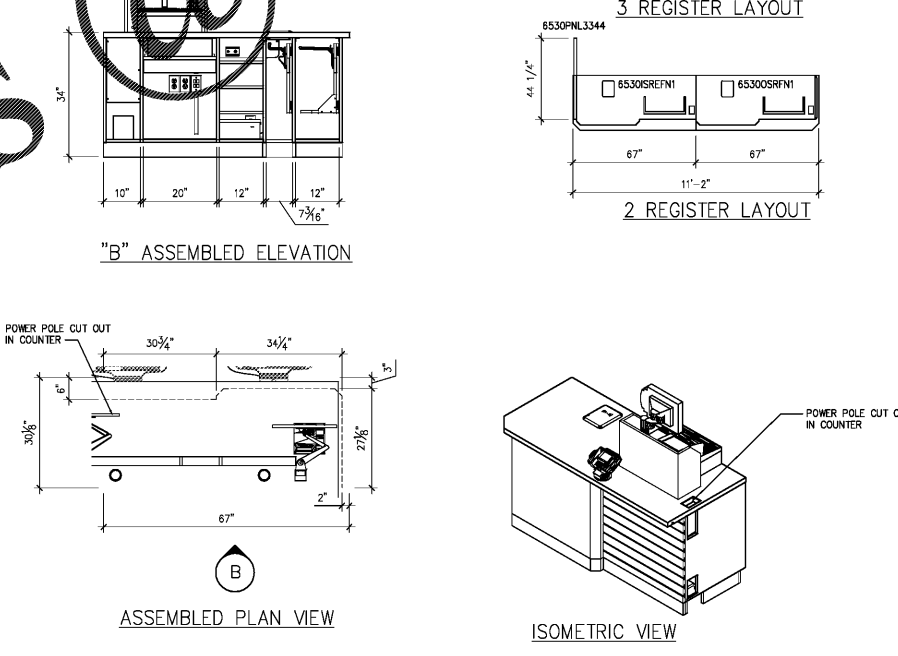
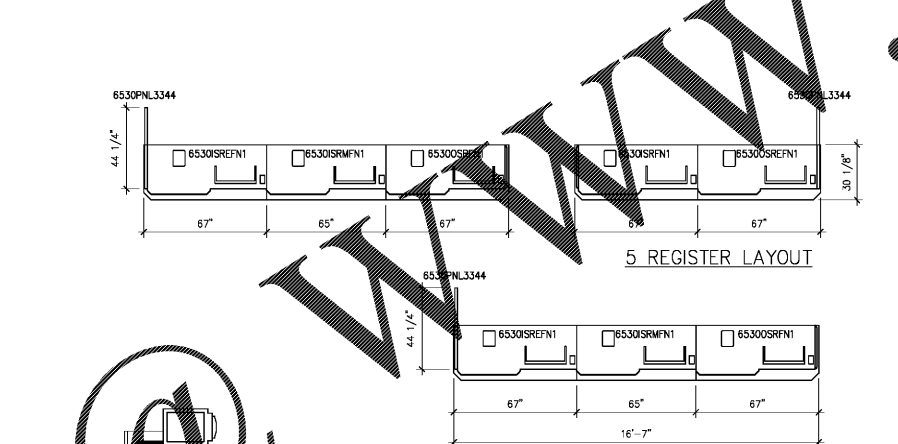
BED CANOPIES (FOR REFERENCE ONLY) SCALE: NTS



81" HUB DESK SCALE: NTS

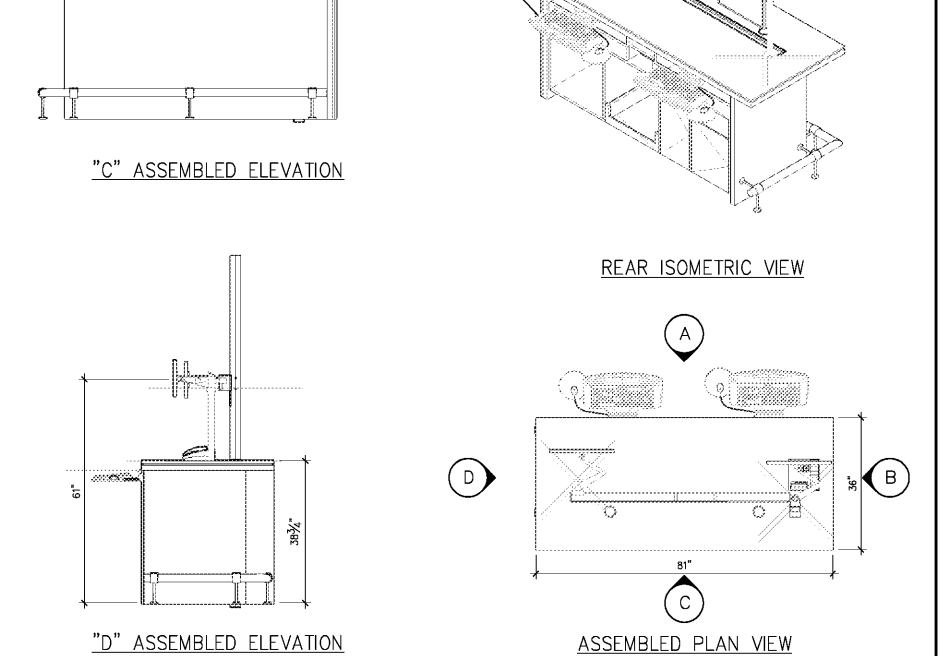
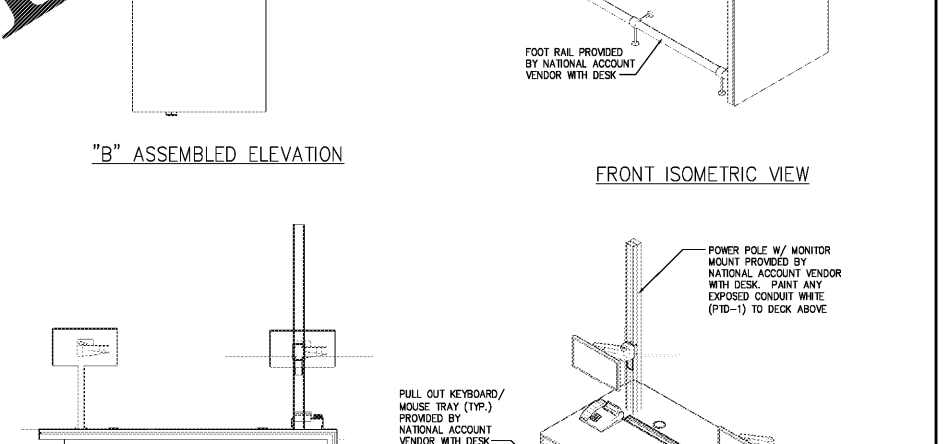


WORKSTATION DETAIL SCALE: N.T.S.



4" SERVICE DESK W/(2) DRAWERS SCALE: NTS

QUE LINE REGISTER BAYS SCALE: NTS



81" HUB DESK SCALE: NTS



DD'S	PERMIT SET

BED BATH & BEYOND
 Beyond any store of its kind.
 PROJECT NAME & LOCATION:
103 ALPHARETTA, GA
 6050 NORTH POINT PARKWAY
 ALPHARETTA, GA 30022
 BED BATH & BEYOND
 CORPORATE OFFICES:
 650 LIBERTY AVE
 UNION, NJ 07083
 (908) 688-0888 (OFFICE)
 (908) 688-0295 (FAX)

DISTRIBUTION	DATE
OWNER REVIEW	09/13/18
PERMIT SET	09/25/18

DRAWING TITLE:
HUB DESK & QUEUE LINE MILLWORK
A8.1

Order Plans

WWW.LDILine.com