

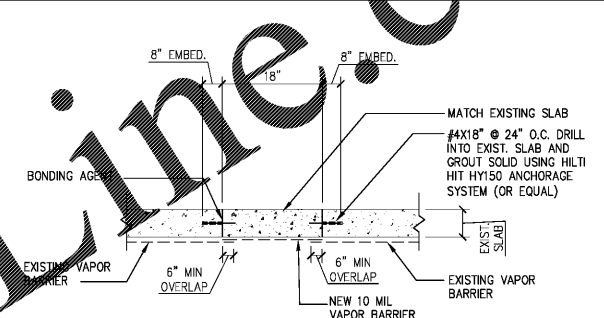
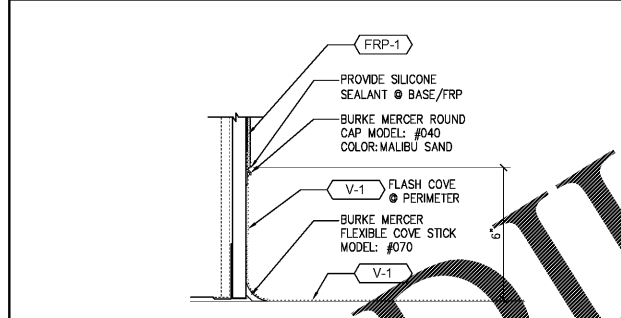
CONTRACTOR(S) SHALL VERIFY EXISTING CONDITIONS AND CORRELATE DIMENSIONS PRIOR TO PROVIDING THE WORK DETAILED IN THESE DRAWINGS. AND SHALL PROMPTLY NOTIFY THE ARCHITECT OF ANY DISCREPANCIES.



PREP ROOM FIXTURE SCHEDULE (G.C. RESPONSIBILITY)					
EQUIP. NO.	FIXTURE	SUPPLIER REF. SPEC. (01000)	MANUFACTURER	MODEL	REMARKS
A-1	HANDS FREE PAPER TOWEL DISPENSER	HUGHES SUPPLY INC.	BRADLEY	NA2615	
A-2	WALL MOUNTED SOAP DISPENSOR	HUGHES SUPPLY INC.	BRADLEY	NA2561	
A-3	SPLASH GUARD	HUGHES SUPPLY INC.		NA3638	30" HIGH STAINLESS STEEL SPLASH GUARD BETWEEN HAND-SINK AND 3-COMP SINK

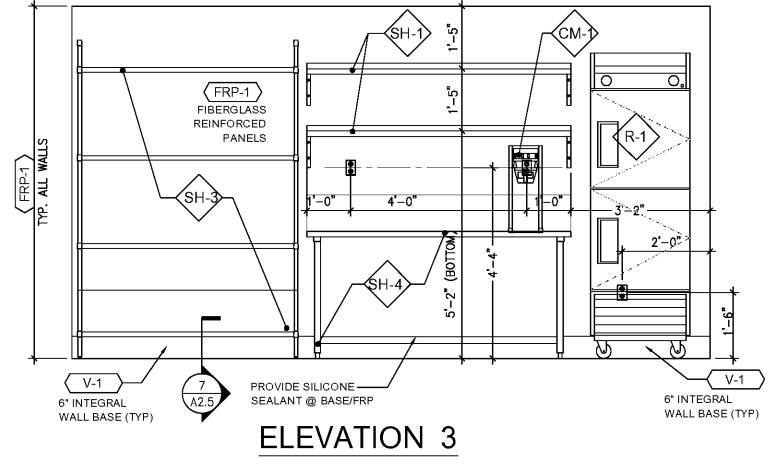
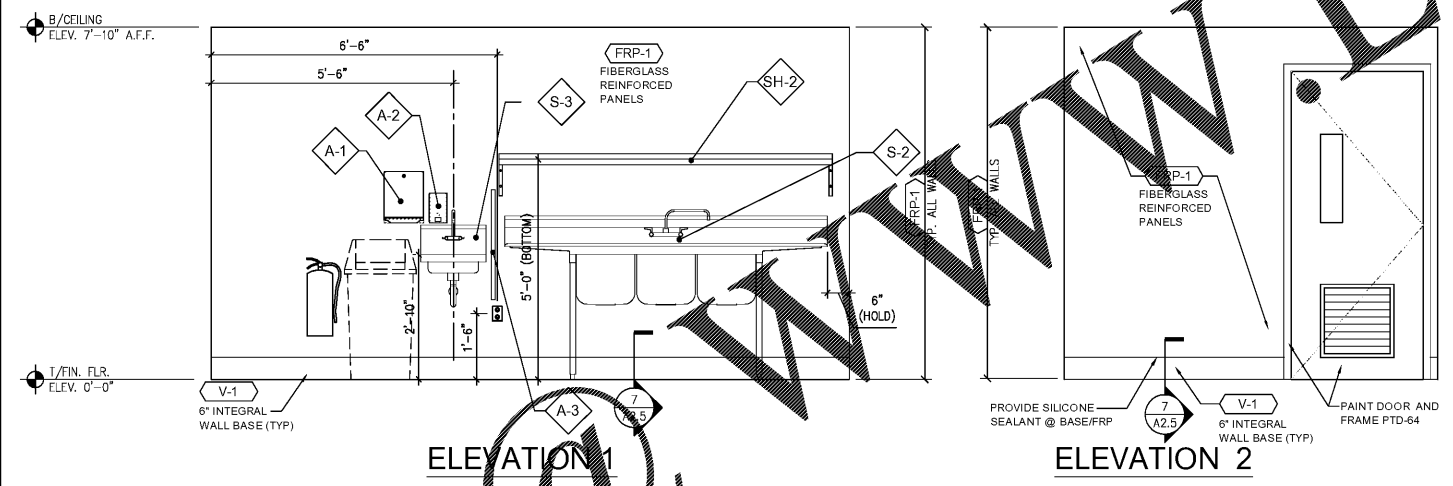
PREP ROOM FIXTURE SCHEDULE (PLUMBING CONTRACTOR RESPONSIBILITY)					
EQUIP. NO.	FIXTURE	SUPPLIER REF. SPEC. (01000)	MANUFACTURER	MODEL	REMARKS
R-1	REFRIGERATOR / FREEZER	HUGHES SUPPLY INC.	TRUE MODEL	T-230T REACH-IN	CONTRACTOR TO PROVIDE AND INSTALL ALL OF THE FOLLOWING: COMMERCIAL REACH-IN REFRIGERATOR/FREEZER; REF-31 CU FT., FRZ-8 CU FT.; 73.38" H X 27" W X 29.5" D; 115 VOLTS; 15 AMP CIRCUIT REQUIRED; SHELF KIT BY ARTIC AIR MODEL 216423800 - LARGE SHELF KIT WITH MOUNTING CLIPS; DOOR SWINGS TO BE LEFT HANDED. REFER TO FLOOR PLAN FOR SWING DIRECTIONS
S-2	3-COMPARTMENT SINK	SEE PLUMBING SCHEDULE			
S-3	HAND SINK	SEE PLUMBING SCHEDULE			

PREP ROOM FIXTURE SCHEDULE (PLUMBING CONTRACTOR RESPONSIBILITY)					
EQUIP. NO.	FIXTURE	SUPPLIER REF. SPEC. (01000)	MANUFACTURER	MODEL	REMARKS
SH-1	STAINLESS STEEL SHELF 12" OVER WORK TABLE	HUGHES SUPPLY INC.	ADVANCE TABCO	NA2622	LENGTH 6'-0"
SH-2	WIRE 14" PREP SHELVING DIRECT WALL MOUNT	HUGHES SUPPLY INC.	ADVANCE TABCO	NA2621	LENGTH 8'-0"
SH-3	WORK STORAGE SHELF 24" PREP WITH (4) SHELVES	HUGHES SUPPLY INC.	ADVANCE TABCO	NA2623	LENGTH 5'-0"
SH-4	WORK TABLE	HUGHES SUPPLY INC.	ADVANCE TABCO	NA2620	LENGTH 6'-0"
CM-1	COFFEE BREWER WITH WATER FILTRATION / AIRPOT AND AIRPOT RACK	HUGHES SUPPLY INC.	BUNN	CWTF15-A PS	CONTRACTOR TO PROVIDE AND INSTALL ALL OF THE FOLLOWING: BUNN SINGLE COFFEE BREWER W/ DIRECT WATER LINE & BUNN EASY CLEAR EQ-17-TL WATER FILTRATION MOUNTED ON WALL BEHIND COFFEE MACHINE; BUNN COFFEE AIRPOT 2.5 LITER LEVER ACTION 6 PACK MODEL #92125 01000 AND (2) BUNN AIRPOT RACK UNIV-3 APR MODEL #35728 0002. PROVIDE & INSTALL AN APPROVED 1/2" BACKFLOW PREVENTER AT THE COFFEE MAKER (MOUNT STUB @ 48" AFF) AND WATER SHUT-OFF VALVE TO ALLOW FOR WATER FILTER REPLACEMENT. LENGTH 5'-0"

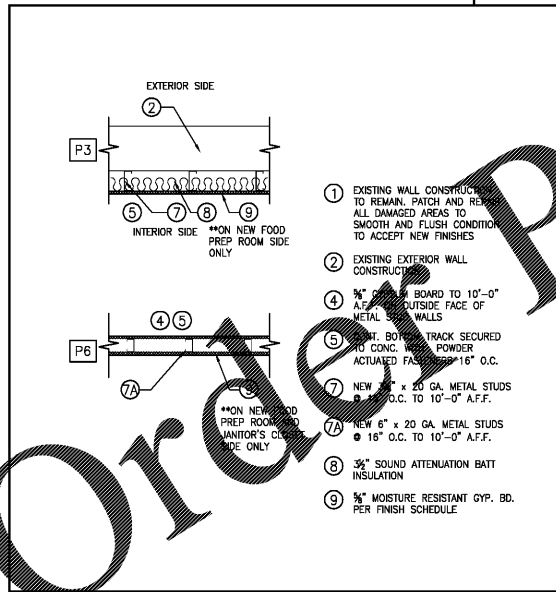


SHEET VINYL COVE BASE DETAIL 07  
SCALE: 3" = 1'-0"

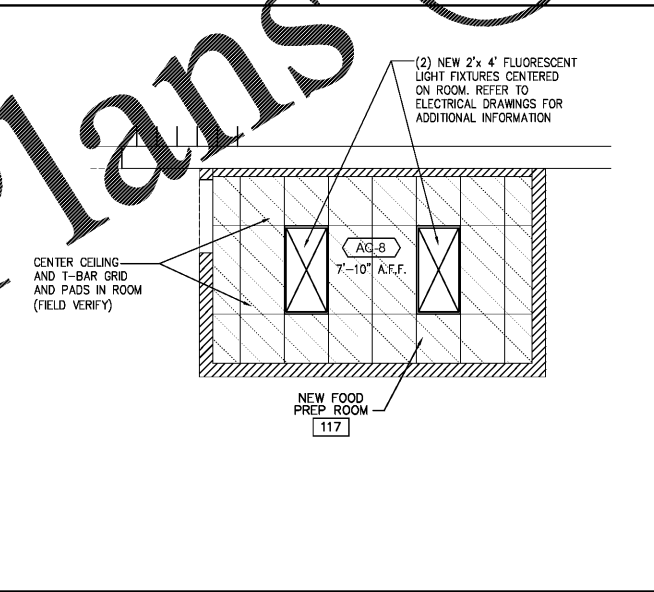
SLAB INFILL DETAIL 06  
SCALE: 3/4" = 1'-0"



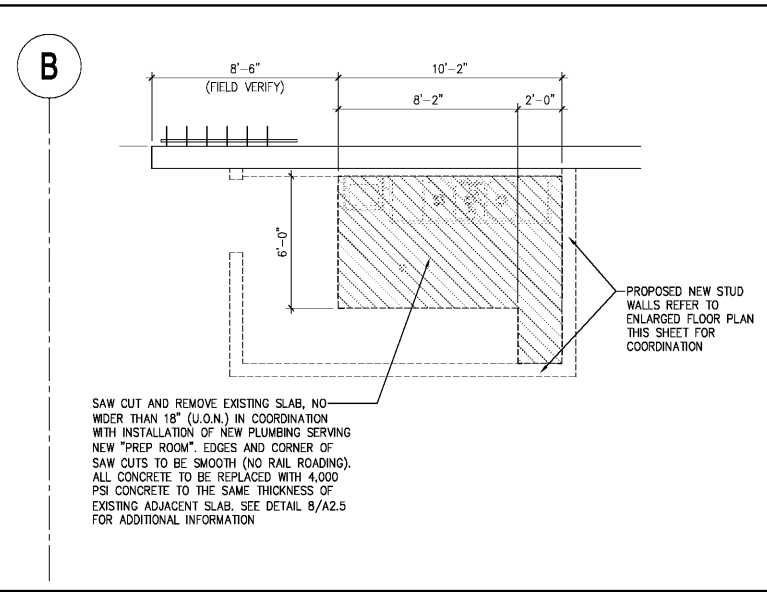
FOOD PREP ROOM ELEVATIONS 05  
SCALE: 1/2" = 1'-0"



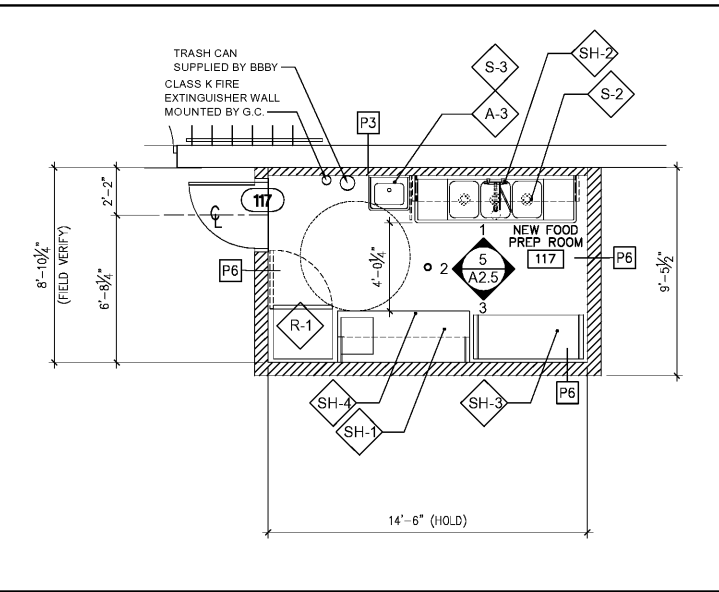
WALL TYPES 04  
SCALE: 1/2" = 1'-0"



RCP PLAN-FOOD PREP ROOM 03  
SCALE: 1/4" = 1'-0"



SLAB DEMO PLAN-FOOD PREP RM. 02  
SCALE: 1/4" = 1'-0"



FLOOR PLAN-FOOD PREP ROOM 01  
SCALE: 1/8" = 1'-0"

BBBY REVISION TRACKER	
DD'S	PERMIT SET

**BED BATH & BEYOND**  
Beyond any store of its kind.  
PROJECT NAME & LOCATION:  
# 103 ALPHARETTA, GA  
6050 NORTH POINT PARKWAY  
ALPHARETTA, GA 30022  
CORPORATE OFFICES:  
650 LIBERTY AVE  
UNION, NJ 07083  
(908) 688-0888 (OFFICE)  
(908) 688-0295 (FAX)

DISTRIBUTION	DATE
OWNER REVIEW	09/13/18
PERMIT SET	09/25/18

ARCH. PROJECT #	BBB PROJECT #

DRAWING TITLE:  
**ENLARGED FOOD PREP ROOM FLOOR PLANS, ELEVATIONS AND DETAILS**  
**A2.5**