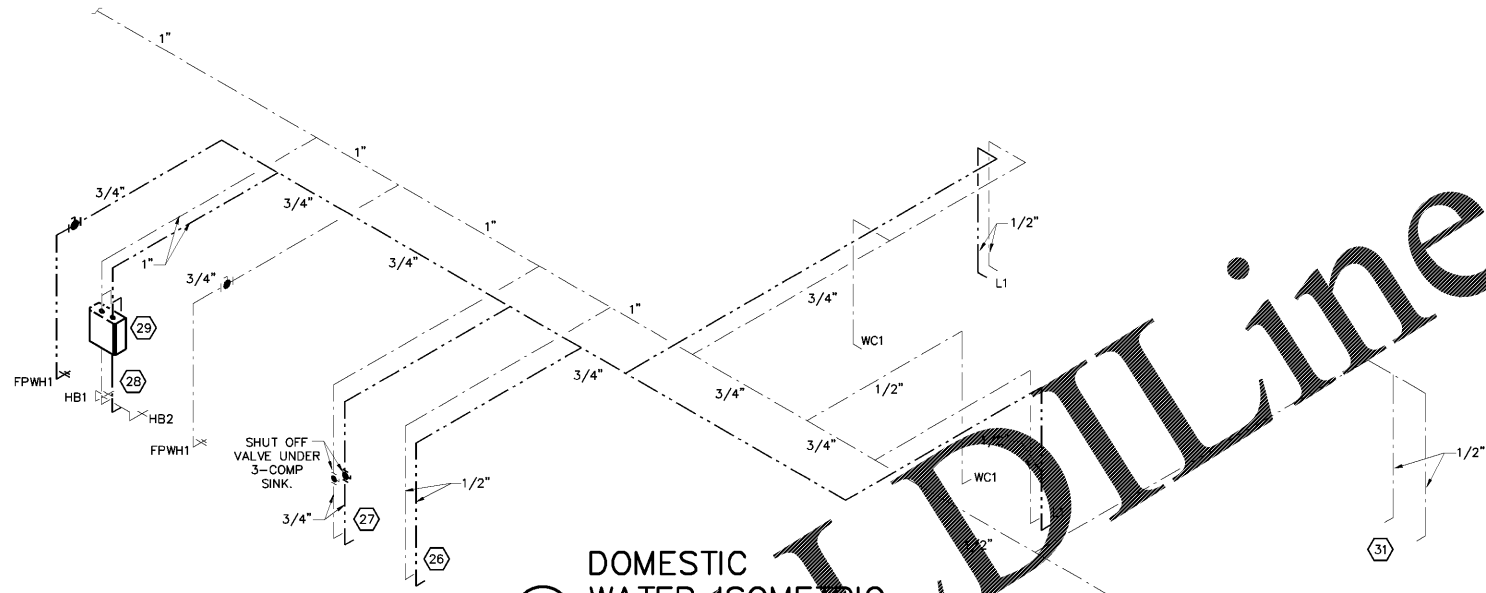
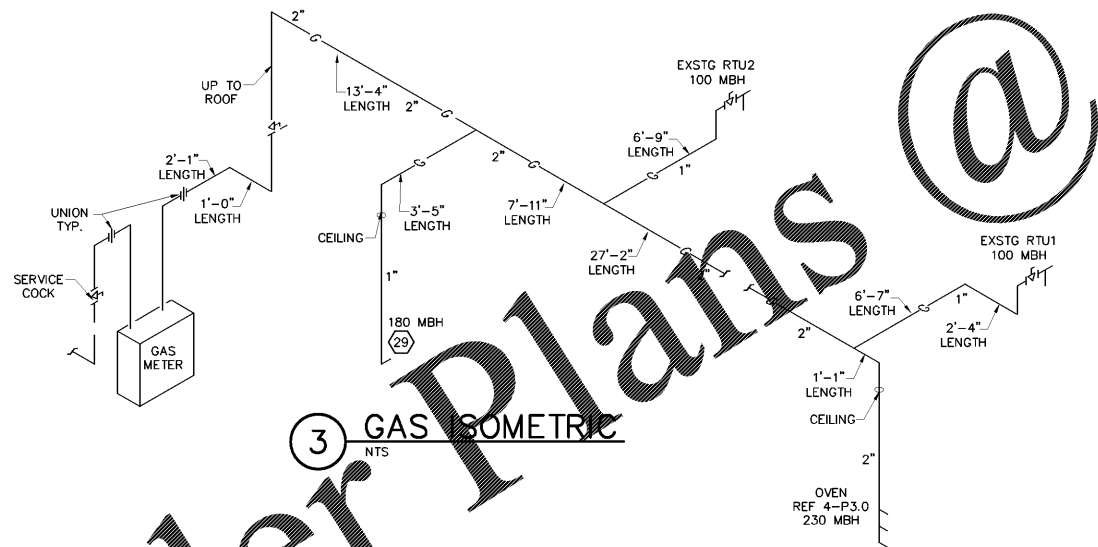


NOTE:
CONTRACTOR SHALL CONFIRM W/ RPM PIZZA PRIOR TO GAS CONNECTION INSTALLATION THE NUMBER OF OVEN CONNECTIONS REQUIRED FOR THE STORE. RPM PIZZA WILL SUPPLY FIRE SUPPRESSION GAS SHUT OFF VALVE TO CONTRACTOR IF REQUIRED.

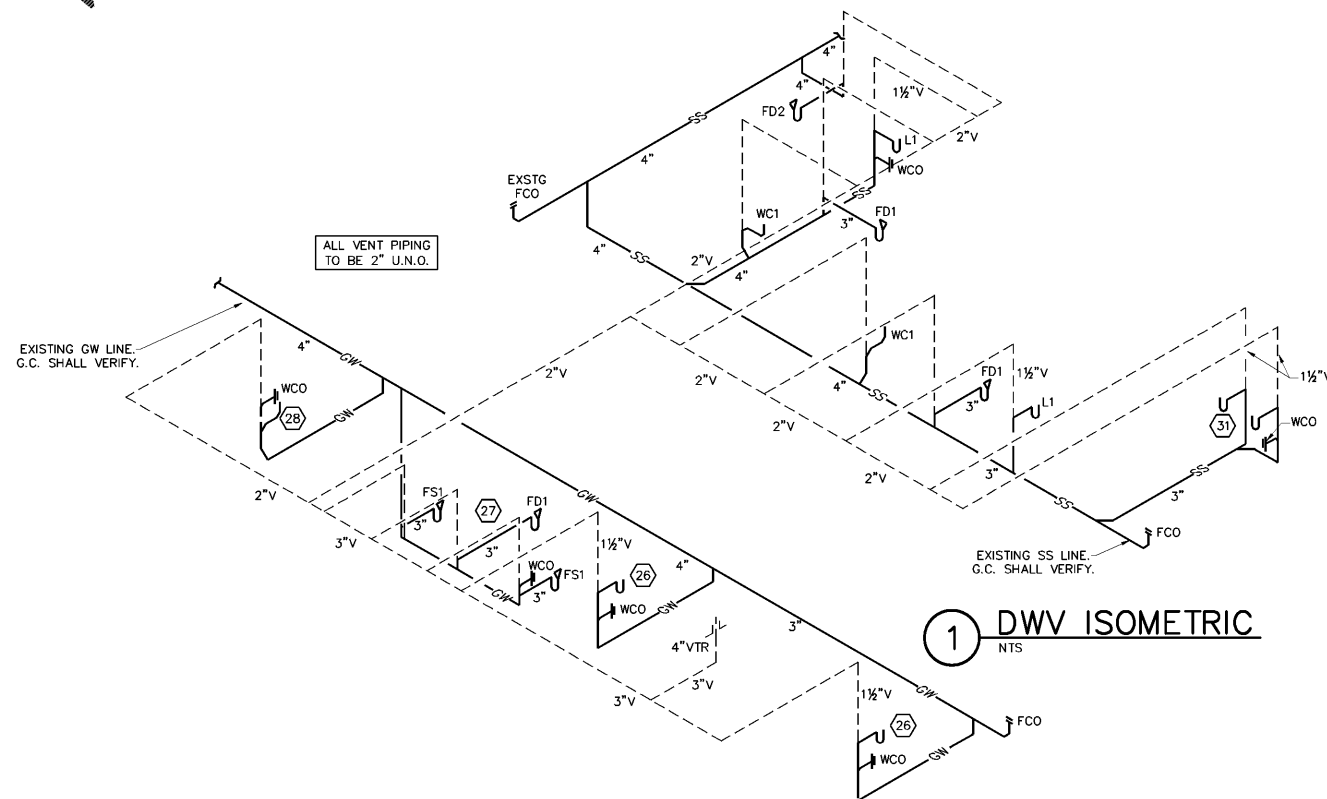
4 GAS RISER
NTS



2 DOMESTIC WATER ISOMETRIC
NTS



3 GAS ISOMETRIC
NTS



1 DWV ISOMETRIC
NTS

Order Plans @

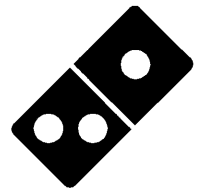
WWW.LDLine.com

PROJECT COORDINATOR/DESIGN CONSULTANT



CLIENT PROJECT # 5879
ARCHITECTURAL PROJECT NO: 385-071
DRAWN BY: RLJ
CHECKED BY: MMM

DOMINO'S PIZZA
30 FRANK LLOYD WRIGHT DRIVE
ANN ARBOR, MI 48105
TEL: 314.910.8560



Domino's

DOMINO'S PIZZA
#5879
3871 AIRPORT BLVD.
MOBILE, AL 36608

NO.	REVISIONS:	DATE:

PLANNING REVIEW ISSUE DATE: N/A
CLIENT REVIEW ISSUE DATE: 09/13/2018
LANDLORD REVIEW ISSUE DATE: 09/13/2018
BID ISSUE DATE: 09/24/2018
HEALTH DEPT. REVIEW ISSUE DATE: 09/24/2018
BUILDING REVIEW ISSUE DATE: 09/24/2018
CONSTRUCTION ISSUE DATE: 09/24/2018

DRAWING TITLE:
PLUMBING ISOMETRICS

DRAWING NUMBER:
P3.0