

PLUMBING SYMBOLS (NOT ALL SYMBOLS USED ON PLANS)	
SS	SANITARY SEWER
GW	GREASE WASTE
---	DOMESTIC COLD WATER
---	DOMESTIC HOT WATER
---	DOMESTIC HOT WATER RETURN
G	PROPANE GAS
CD	CONDENSATE DRAIN
---	PLUMBING VENT
U	UNION
C	ELBOW - TURNED DOWN
O	ELBOW - TURNED UP
S	TEE - TURNED DOWN
O	TEE - TURNED UP
B	BALL VALVE
P	PLUG VALVE
C	CHECK VALVE
SV	SHUT-OFF VALVE IN VERTICAL LINE
BP	BACKFLOW PREVENTER
M	WATER METER
WHA	WATER HAMMER ARRESTOR
T	T & P RELIEF VALVE
TMV	THERMOSTATIC MIXING VALVE
FD1	FLOOR DRAIN
FS1	FLOOR SINK
o	ROOF DRAIN/OVERFLOW ROOF DRAIN
FCO	FLOOR CLEANOUT
YCO	YARD CLEANOUT
FPWH	FREEZE PROOF WALL HYDRANT
HB	HOSE BIBB
WCO	WALL CLEANOUT
GR	GAS PRESSURE REGULATOR
GC	GAS COCK
U.N.O	UNLESS NOTED OTHERWISE

GAS LOAD SCHEDULE			
MARK#	LOAD (BTUH)	CONNECTION SIZE	REQUIREMENTS
NEW WH1 (29)	180,000	1"	PROVIDE SHUTOFF VALVE, DIRT LEG & REDUCER
OVEN	230,000	2"	PROVIDE SHUTOFF VALVE, DIRT LEG & REDUCER
EXSTG RTU1	150,000	1"	PROVIDE SHUTOFF VALVE, DIRT LEG & REDUCER
EXSTG RTU2	100,000	1"	PROVIDE SHUTOFF VALVE, DIRT LEG & REDUCER
TOTAL GAS LOAD	660,000		DESIGN PRESSURE 2.0 PSI @ 100 FT. FIELD DETERMINE MAX DEVELOPED LENGTH AND AVAILABLE PRESSURE.

WATER HEATER SCHEDULE						
MARK	MANUFACTURER	MODEL	MIN FLOW GAL	MAX FLOW GAL	INPUT	NOTES
(29)	RHEEM	RTG-84DVLN	0.40	8.4	180 MBH	1-7
(17)	RHEEM	RTEX-04	0.30	4.8	3.5 KW	1,2,6,8

NOTES:
 1. RPM PIZZA TO PROVIDE ALL REQUIRED ACCESSORIES, CONTROLS, AND INSTALLATION KIT. CONTRACTOR TO INSTALL.
 2. CONTRACTOR TO INSTALL ACCORDING TO MANUFACTURER RECOMMENDATIONS.
 3. RPM PIZZA TO PROVIDE RHEEM 3 BY 5 CONCENTRIC VENT KIT. CONTRACTOR TO INSTALL.
 4. SET OUTLET TEMPERATURE TO 140°F.
 5. RPM PIZZA TO PROVIDE TEMPERATURE AND PRESSURE RELIEF VALVE PER ASME OR AGA APPROVAL. CONTRACTOR TO INSTALL.
 6. SUBSTITUTIONS MUST BE EQUIVALENT AND HAVE OWNERS APPROVAL.
 7. RPM PIZZA TO PROVIDE OPTIONAL RECESSED BOX FOR TANKLESS WATER HEATER INSTALLATION IN WALL. CONTRACTOR TO INSTALL.
 8. SET OUTLET TEMPERATURE TO 110°.

PLUMBING SPECIALTIES SCHEDULE		
MARK#	MFR/MODEL	DESCRIPTION
FS1	ZURN Z-1900	CAST IRON 12 x 12 x 6 FLOOR SINK. REF PLANS FOR GRATE TYPE.
FD1	ZURN ZN-415	CAST IRON FLOOR DRAIN WITH FLANGE, INTEGRAL REVERSING CLAMPING COLLAR, NICKEL BRONZE, TYPE "B" STRAINER, BOTTOM OUTLET.
FD2	---	HUB DRAIN SAME AS SANITARY WASTE PIPING MATERIAL UNLESS NOTED OTHERWISE ON PLANS.
WCO	ZURN Z-1441	WALL CLEANOUT WITH WATER-GAS TIGHT COUNTERSUNK IRON THREADED PLUG, ROUND STAINLESS STEEL ACCESS COVER.
FCO	ZURN ZN1400	DURA COATED CAST IRON WITH POLISHED NICKEL BRONZE TOP.
YCO	ZURN Z1449/Z1474	CAST IRON FERRULE AND PLUG, DURA-COATED CAST IRON, DOUBLE-FLANGED HOUSING, AND EXTRA HEAVY DUTY SCORRIATED CAST IRON COVER WITH LIFTING DEVICE, VANDAL-PROOF SCREWS.
HB1	WOODFORD B24	3/4" COLD WATER POLISHED CHROME FINISH HOSE BIBB WITH INTEGRAL VACUUM BREAKER AND LOOSE TEE KEY.
HB2	WOODFORD B24 & WOODFORD NIDEL 50H	HB1 HOSE BIBB AS SCHEDULED ABOVE. INCLUDE WITH 50H BACKFLOW PREVENTER FOR USE WITH CINTAS CHEMICAL STATION.
FPWH1	WOODFORD B65	3/4" FREEZE PROOF WALL HYDRANT WITH BRASS HINGED BOX, INTEGRAL VACUUM BREAKER, AND LOOSE TEE KEY.
TMV	LEONARD 270	THERMOSTATIC MIXING VALVE, BRONZE BODY, LOCKED TEMPERATURE ADJUSTMENT CAP, STAINLESS STEEL SPRINGS, INTEGRAL CHECK VALVES ON HOT AND COLD INLETS. MINIMUM FLOW RATE 0.5 GPM.
TP	ZURN Z-1022	SANIGUARD AUTOMATIC TRAP PRIMER, ALL BRONZE BODY WITH INTEGRAL VACUUM BREAKER, NON-LIMITING INTERNAL OPERATING ASSEMBLY WITH GASKETED BRONZE COVER. PROVIDE NECESSARY DISTRIBUTION UNIT UP TO 4 TRAP CONNECTIONS, LOCATE IN AN ACCESSIBLE LOCATION OR IF CONCEALED PROVIDE ACCESS PANEL FOR SERVICE & INSPECTION. PROVIDE AS REQUIRED PER AUTHORITY HAVING JURISDICTION.
BFP	WATTS 009M2QTS	REDUCED PRESSURE ZONE BACKFLOW PREVENTER, CAST BRONZE CONSTRUCTION WITH QUARTER TURN FULL-PORT BALL VALVES AND BRONZE STRAINER.
PRV	WILKINS 600 SERIES	PRESSURE REDUCING VALVE (IF REQUIRED).


NOTES:
 1. ALL DEVICES SHALL BE INSTALLED ACCORDING TO THE MANUFACTURER INSTRUCTIONS AND THE REQUIREMENTS OF THE AUTHORITY HAVING JURISDICTION.
 2. THE DEVICE DESCRIPTION IN THE SCHEDULE TAKES PRECEDENCE OVER MODEL NUMBERS. FIXTURE SUPPLIER SHALL PROVIDE REQUIRED ACCESSORIES AND OPTIONS FOR THE INTENDED INSTALLATION AND USE.
 3. OTHER MANUFACTURERS OFFERING EQUIVALENT PRODUCTS ARE JOSAM, MIFAB, WADE, J.R. SMITH, SYMMONS, AND POWERS. PVC IS AN APPROVED OPTION IF ALLOWED BY AHJ.

PLUMBING FIXTURE SCHEDULE						
MARK#	MFR/MODEL	DESCRIPTION	RUNOUT SIZES (MINIMUM)			
			CW	HW	WASTE	VENT
WC1	AMERICAN STANDARD CADET FLOWSE #2467.100	WATER CLOSET, FLOWSE, RIGHT HEIGHT ELONGATED PRESSURE-ASSISTED, 1.1 GPF. PROVIDE: BRASS FLOOR FLANGE, BOLTS CAPS, WAX RING & CHROME SUPPLY STOP W/ 3/8" STAINLESS STEEL FLEX CONNECTOR. CHROME SUPPLY STOP W/ SS BRANDED FLEXIBLE CONNECTION. HANDLE TO BE ON OPEN SIDE OF WC.	1/2"	---	4"	2"
	AMERICAN STANDARD 5901.100	SEAT: OPEN FRONT TOILET SEAT LESS COVER, ELONGATED HEAVY DUTY BOWL, STAINLESS STEEL CHECK HINGES.				
L1	AMERICAN STANDARD #0356.041	WALL MOUNTED LAVATORY: PROVIDE A WALL MOUNTED CONCEALED ARM CARRIER. PROVIDE: MCGUIRE 2" STRAINER, 1-1/4" CHROME P-TRAP & CHROME SUPPLY STOPS, TRUEBRO LAVGUARD KIT 2.	1/2"	1/2"	1 1/2"	1 1/2"
	SLOAN ETF-600-B-EL-298-40	FAUCET: SUPPLIED BY OWNER. SENSOR ACTIVATED HAND WASHING FAUCET. 0.5 GPM FLOW RATE. ADA COMPLIANT, 24 VAC, CHROME-PLATED BRASS. PROVIDE AN ASSE 1070 CERTIFIED THERMOSTATIC MIXING VALVE SET AT 110°.				
(27)	EQUIP #5PR-8W14	FAUCET: 8" WALL MOUNT MIXING FAUCET W/ CERAMIC CARTRIDGES, ADD-ON FAUCET W/ 14" SWING NOZZLE, 5SV SPRAY VALVE 6" WALL BRACKET, IN-LINE CHECK VALVES.	3/4"	3"	2"	2"
(28)	AERO 2F3-2116-18LR	3 COMPARTMENT SINK. 14 GAUGE 304 STAINLESS STEEL, SELF RIMMING. INSIDE DIMENSIONS (LENGTH x WIDTH x DEPTH) 21"x16"x14".				
	MUSTEE 63M DURASTONE	PROVIDED BY OWNER INSTALLED BY CONTRACTOR. MOLDED-STONE MOP SERVICE BASIN: 10" HIGH, 3" SS INTEGRAL DRAIN BODY. ACCESSORIES: #65.700 HOSE BRACKET, #65.600 MOP HANGER W/ 3 GRIPS.	3"	3/4"	3"	2"
(26)	FIAT #830-AA	SUPPLY: PROVIDED AND INSTALLED BY CONTRACTOR. POLISHED CHROME, VACUUM BREAKER SPOUT, INTEGRAL STOP ARMS, WALL SUPPORT, PAIR W/ 3/4" NPT TEE THREAD.				
	AERO HSF25	STAINLESS STEEL WALL HUNG HAND SINK PROVIDED BY RPM PIZZA. PROVIDE AN ASSE 1070 CERTIFIED THERMOSTATIC MIXING VALVE SET AT 110°. PROVIDE AN ASSE 1070 CERTIFIED THERMOSTATIC MIXING VALVE SET AT 110°.	1/2"	1/2"	1 1/2"	1 1/2"
(31)	HAWS 1119	PROVIDED BY OWNER INSTALLED BY CONTRACTOR. 18 GAUGE TYPE 304 STAINLESS STEEL, HI-LOW WALL MOUNTED BARRIER FREE DRINKING FOUNTAIN, FRONT SS PUSH BUTTON, INTEGRATED INTERNALLY MOUNTED TRAP, POLISHED CHROME-PLATED BRASS BUBBLER HEAD. CONTRACTOR TO PROVIDE MOUNTING BRACES MODEL #S SK1, 6700.4, OR EQUIVALENT FOR INSTALLATION.	1/2"	---	1 1/4"	1 1/2"

NOTES:
 1. PROVIDE CHROME PLATED BRASS ADJUSTABLE P-TRAP AND SUPPLY STOPS AND ESCUTCHEON PLATES AS REQUIRED FOR EACH FIXTURE.
 2. SUBSTITUTIONS MUST BE EQUIVALENT AND HAVE OWNERS APPROVAL. OTHER MANUFACTURERS OFFERING EQUIVALENT PRODUCTS: FOR VITREOUS CHINA FIXTURES: KANE, ELJER, KOHLER. FOR WATER CLOSET SEATS: BENTON, ALSONITE. FOR SUPPLY BRACETS: AMERICAN STANDARD, KOHLER, T&S BRASS. FOR FIXTURE CARRIERS: JAY R. SMITH, JOSAM, WADE, WATTS.
 3. ALL FIXTURES SHALL BE INSTALLED ACCORDING TO MANUFACTURER'S INSTRUCTIONS AND REQUIREMENTS OF THE AUTHORITY HAVING JURISDICTION.
 4. DESCRIPTION OF FIXTURE IN SCHEDULE TAKES PRECEDENCE OVER MODEL NUMBERS. FIXTURE SUPPLIER SHALL PROVIDE REQUIRED ACCESSORIES AND OPTIONS FOR THE INTENDED INSTALLATION AND USE.


ABBREVIATIONS:
 A.A. = AMERICANS WITH DISABILITIES ACT
 G.P. = GALLONS PER MINUTE
 C.B. = CHROME PLATED BRASS
 AFF = ABOVE FINISH FLOOR
 V.C. = VITREOUS CHINA.

PROJECT COORDINATOR/DESIGN CONSULTANT




11 IRVING ROAD
DALLAS, TEXAS 75207
TEL: 214-638-9800

ARCHITECT/ENGINEER



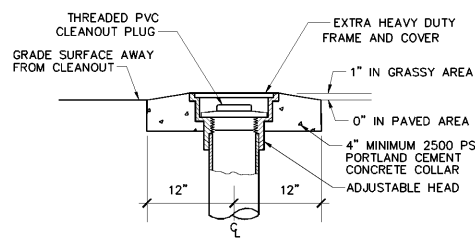
MPW ENGINEERING, LLC
1507 W. 17TH STREET • SUITE 600 • FULDA, TX 74119
(940) 562-4008 • (940) 562-4007 FAX



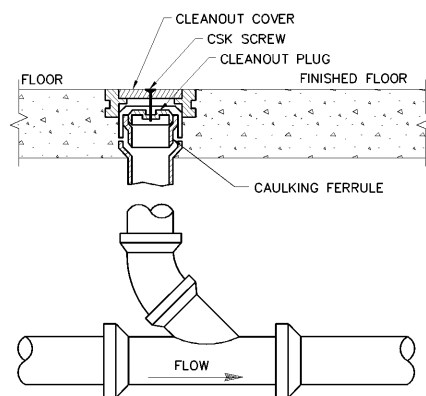
ALABAMA
SCOTT C. WEBER
No. 25077
PROFESSIONAL ENGINEER
EXPIRES 12/31/2018

CLIENT PROJECT # 5879
 ARCHITECTURAL PROJECT NO.: 385-071
 DRAWN BY: RLJ
 CHECKED BY: MMM

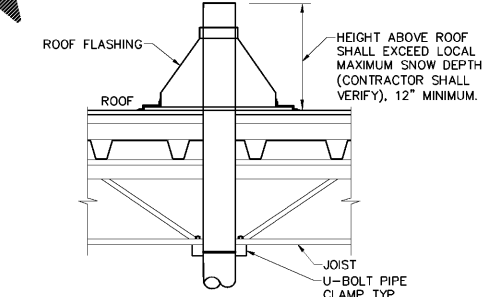
DOMINO'S PIZZA
30 FRANK LLOYD WRIGHT DRIVE
ANN ARBOR, MI 48105
TEL: 314.910.8560



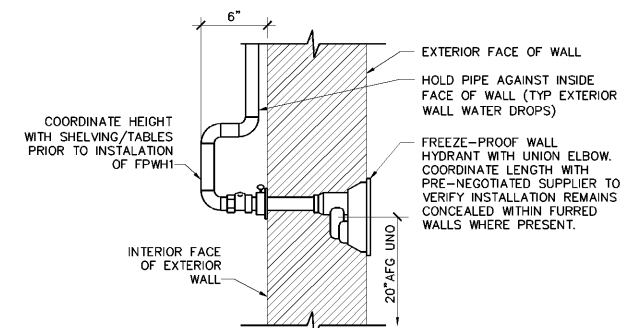
8 YARD CLEANOUT
NTS



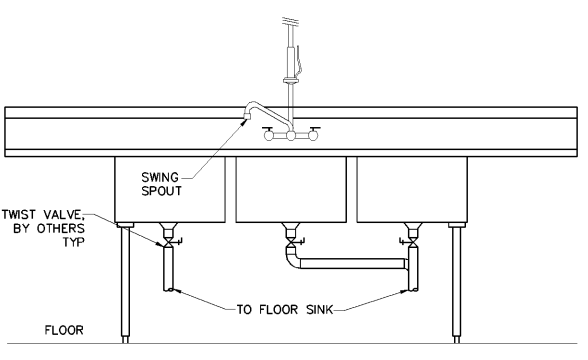
3 FLOOR CLEANOUT
NTS



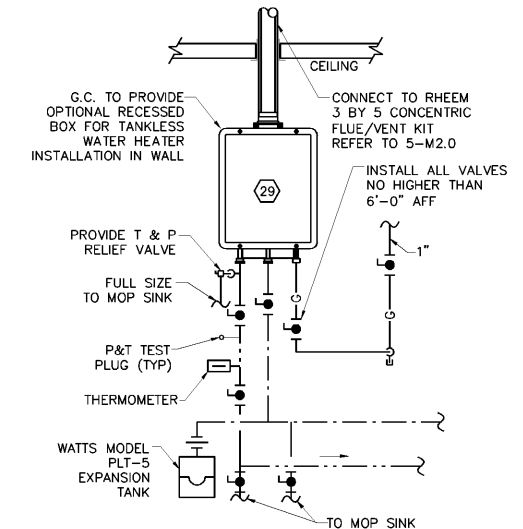
6 VENT THRU ROOF (VTR)
NTS



5 WALL HYDRANT (FPWH1)
NTS



2 THREE COMPARTMENT SINK
NTS



1 WATER HEATER-GAS
NTS

NO.	REVISIONS:	DATE:

PLANNING REVIEW ISSUE DATE: N/A
 CLIENT REVIEW ISSUE DATE: 09/13/2018
 LANDLORD REVIEW ISSUE DATE: 09/13/2018
 BID ISSUE DATE: 09/24/2018
 HEALTH DEPT. REVIEW ISSUE DATE: 09/24/2018
 BUILDING REVIEW ISSUE DATE: 09/24/2018
 CONSTRUCTION ISSUE DATE: 09/24/2018

DRAWING TITLE:
PLUMBING SCHEDULES & DETAILS

DRAWING NUMBER:
P1.0

© 2018 idGROUP, LLC

Order Plans @ WWW.RPMPIZZA.COM