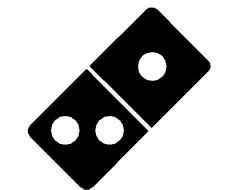




CLIENT PROJECT # 5879  
ARCHITECTURAL PROJECT NO.: 385-071  
DRAWN BY: DJA  
CHECKED BY: JSR

DOMINO'S PIZZA  
30 FRANK LLOYD WRIGHT DRIVE  
ANN ARBOR, MI 48106  
TEL: 314.910.8550



**Domino's**

DOMINO'S PIZZA  
#5879  
3871 AIRPORT BLVD.  
MOBILE, AL 36608

NO.	REVISIONS	DATE

PLANNING REVIEW ISSUE DATE: N/A  
 CLIENT REVIEW ISSUE DATE: 09/13/2018  
 LANDLORD REVIEW ISSUE DATE: 09/13/2018  
 BID ISSUE DATE: 09/24/2018  
 HEALTH DEPT. REVIEW ISSUE DATE: 09/24/2018  
 BUILDING REVIEW ISSUE DATE: 09/24/2018  
 CONSTRUCTION ISSUE DATE: 09/24/2018

DRAWING TITLE:  
**DIRTY POWER PLAN**

DRAWING NUMBER:  
**E3.0**

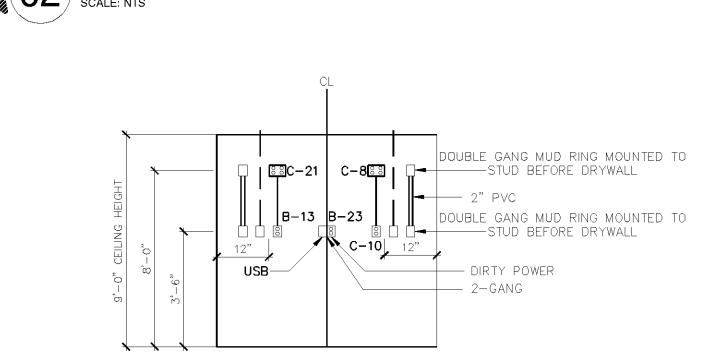
### GENERAL NOTES

- ALL 120/125 VOLT SINGLE PHASE 20 AMP RECEPTACLES IN KITCHEN AND/OR FOOD PREP AREAS MUST BE GFCI PROTECTED IN ACCORDANCE WITH SECTION 210.8 (B) (2) OF THE NEC.
- ALL LOW VOLTAGE TELEPHONE/DATA BACKBOXES SHALL BE INSTALLED WITH A 1-1/2" RACEWAY WITH FULL STRING STUBBED INTO ACCESSIBLE CEILING SPACE WITH BUSHINGS. ALL FINAL TERMINATIONS ARE TO BE MADE IN PULSE CABINET LOCATED IN MANAGER'S OFFICE BY OTHERS.
- CONTRACTOR SHALL CONFIRM ALL ELECTRICAL REQUIREMENTS FOR HVAC & KITCHEN EQUIPMENT WITH ACTUAL NAMEPLATE DATA PRIOR TO ROUGH-IN.
- 120V/USB OUTLETS SUPPLIED BY CONTRACTOR AND INSTALLED BY CONTRACTOR. LOCATION TO BE DETERMINED BY OWNER IN THE FIELD.
- ELECTRICAL DISCONNECTS ARE TO BE PLACED TO NEARBY ELECTRICAL PEDESTAL POSITION EQUIPMENT.

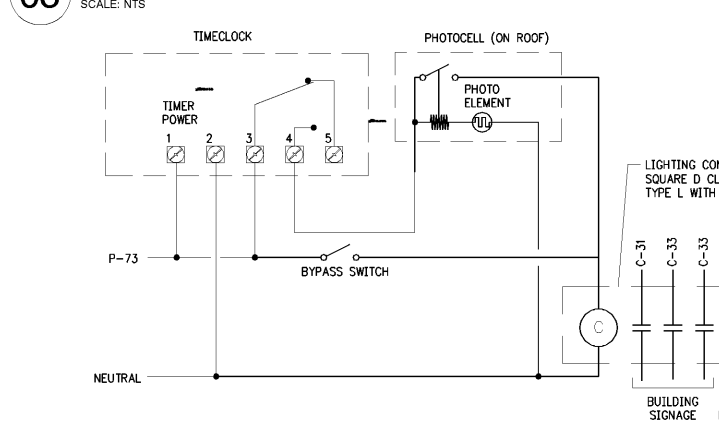
### KEYNOTES

- DIGITAL TIMER AND CONTACTOR WITH BATTERY BACKUP AND PHOTOCELL PROVIDED AND INSTALLED BY CONTRACTOR TO COME ON 20 MIN. BEFORE SUNSET AND SHUT OFF AT 3AM. INSTALL ABOVE ELECTRICAL PANELS. RE: 4/E3.0.
- PUSH BUTTON IS TO BE PROVIDED BY AND INSTALLED BY CONTRACTOR. CONTRACTOR TO VERIFY FINAL LOCATION WITH TENANT/RPM PRIOR TO ROUGH-IN.
- 3P SURGE PROTECTOR (CLEAN POWER SYSTEM) FOR PROTECTION OF COMPUTER AND PHONE SYSTEMS SUPPLIED BY RPM AND INSTALLED BY CONTRACTOR. INSTALL INTO EXISTING PANELBOARD A.
- EXISTING POWER ELECTRICAL PANELBOARD 'A' IS A 42 CKT 400A M.C.B. TO BE RE-USED AS DIRECTED ON UPDATED PANEL SCHEDULES FOUND ON SHEET E4.0.
- EXISTING CLEAN POWER PANELBOARD 'C' IS A 42 CKT 225A M.L.O. TO BE RE-USED AS DIRECTED ON UPDATED PANEL SCHEDULES FOUND ON SHEET E4.0.
- HOOD SYSTEM TO HAVE LOCAL STATION AUDIBLE ALARM (BELL) ON SIDE OF FIRE CONTROL CABINET; TO SOUND UPON MANUAL OR AUTOMATIC ACTUATION OF HOOD FIRE SUPPRESSION SYSTEM. THERE IS NO OTHER FIRE ALARM SYSTEM. FIELD COORDINATE FINAL LOCATION.
- EXHAUST FAN SHALL BE FED FROM RESTROOM LIGHTING CIRCUIT AND SHALL BE INTERLOCKED WITH SWITCH SERVING THAT AREA.
- CONTRACTOR TO VERIFY FINAL LOCATION WITH OWNER PRIOR TO INSTALLATION. PROVIDE SIGNAGE J-BOXES TO BE INSTALLED IN ATTIC SPACE. FINAL SIGN TERMINATIONS BY OTHERS.
- +30" AFF. RECEPTACLE FOR FAUCET SENSOR.

### 02 ELECTRICAL EQUIP - POWER PLAN



### 03 MANAGERS AREA - POWER PLAN

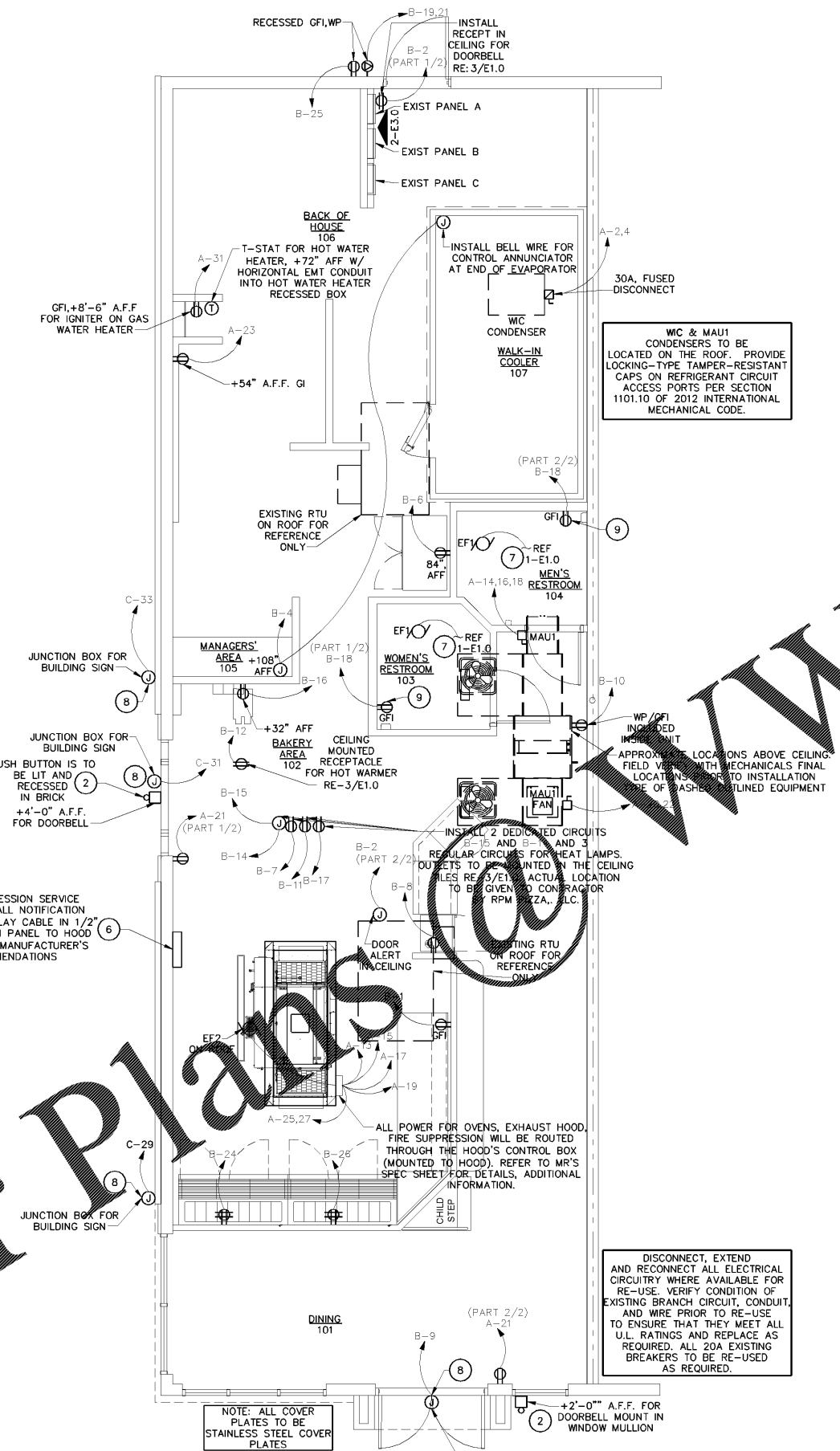


### 01 DIRTY POWER PLAN

SCALE: 1/4" = 1'-0"

### 04 ELECTRICAL - PHOTOCELL/TIMECLOCK LTG CONTROL

SCALE: NTS



W/C & MAUI CONDENSERS TO BE LOCATED ON THE ROOF. PROVIDE LOCKING-TYPE TAMPER-RESISTANT CAPS ON REFRIGERANT CIRCUIT ACCESS PORTS PER SECTION 1101.10 OF 2012 INTERNATIONAL MECHANICAL CODE.

APPROXIMATE LOCATIONS ABOVE CEILING FIELD VIEW WITH MECHANICALS FINAL LOCATIONS SUBJECT TO INSTALLATION TYPE OF APPLIANCES/UTLINED EQUIPMENT

DISCONNECT, EXTEND AND RECONNECT ALL ELECTRICAL CIRCUITRY WHERE AVAILABLE FOR RE-USE. VERIFY CONDITION OF EXISTING BRANCH CIRCUIT, CONDUIT, AND WIRE PRIOR TO RE-USE TO ENSURE THAT THEY MEET ALL U.L. RATINGS AND REPLACE AS REQUIRED. ALL 20A EXISTING BREAKERS TO BE RE-USED AS REQUIRED.

NOTE: ALL COVER PLATES TO BE STAINLESS STEEL COVER PLATES

Order Plans