

CLIENT PROJECT # 5879
 ARCHITECTURAL PROJECT NO.: 385-071
 DRAWN BY: DJA
 CHECKED BY: JSR

DOMINO'S PIZZA
 30 FRANK LLOYD WRIGHT DRIVE
 ANN ARBOR, MI 48105
 TEL: 314.910.8560



DOMINO'S PIZZA
 #5879
 3871 AIRPORT BLVD.
 MOBILE, AL 36608

NO.	REVISIONS	DATE

PLANNING REVIEW ISSUE DATE: N/A
 CLIENT REVIEW ISSUE DATE: 09/13/2018
 LANDLORD REVIEW ISSUE DATE: 09/13/2018
 BID ISSUE DATE: 09/24/2018
 HEALTH DEPT. REVIEW ISSUE DATE: 09/24/2018
 BUILDING REVIEW ISSUE DATE: 09/24/2018
 CONSTRUCTION ISSUE DATE: 09/24/2018

DRAWING TITLE:
LIGHTING PLAN

DRAWING NUMBER:
E1.0

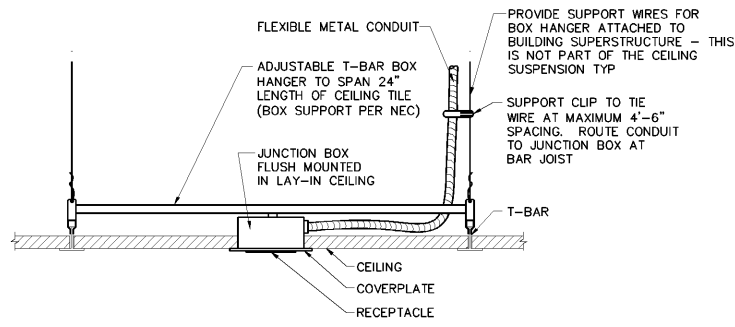
LIGHTING FIXTURE SCHEDULE

NOTE: ALL FIXTURES AND LAMPS ARE FURNISHED BY RPM FOR INSTALLATION BY THE CONTRACTOR UNLESS NOTED OTHERWISE ON THE DRAWINGS.

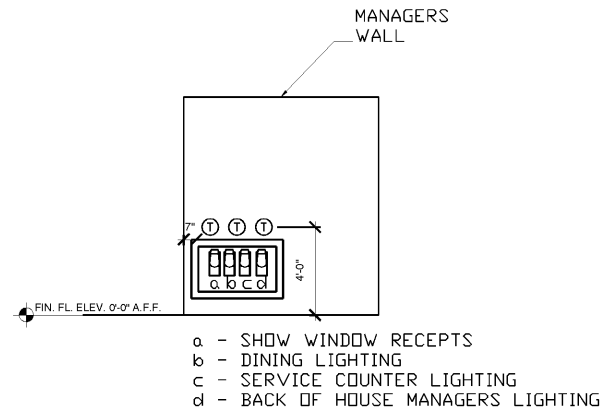
TYPE	VENDOR	CATALOG NUMBER	VOLTS	WATTS	ORDER NUMBER	QTY	MOUNTING	DESCRIPTION
F1	TRIANGLE SIGN	TSL-GTR2-22-EH-50-80-UNV2-M-N-F	120/277	65	INTEGRAL LED	1	RECESSED	2X2 LED TROFFER
F1A	TRIANGLE SIGN	TSL-GTR2-22EH-50-80-UNV2-S-N-F	120/277	23	INTEGRAL LED	1	RECESSED	2X2 LED TROFFER
F2	TRIANGLE SIGN	TSL-G-L7-DL6DWP-18W-3K-BZ	120/277	18	INTEGRAL LED	1	RECESSED	6" RECESSED LED
F3	TRIANGLE SIGN	TSL-G-L7-DL6DWP-18W-4K-SILVER	120/277	18	INTEGRAL LED	1	RECESSED	6" RECESSED LED
F5	TRIANGLE SIGN	G-DL6D-19W-50K	120/277	18	INTEGRAL LED	1	RECESSED	6" RECESSED LED
F6	TRIANGLE SIGN	TSL-GTR2-11EH-50-80-UNV2-S	120/277	24	INTEGRAL LED	1	RECESSED	1 X1 TROFFER LUMINAIRE
F8	LITHONIA	TSL-LCLER1W	120/277	5	INTEGRAL LED	1	SURFACE	EXIT SIGN/LIGHT COMBO
F9	LITHONIA	TSL-LR-1	120/277	5	INTEGRAL LED	1	SURFACE	EMERGENCY LIGHT
F10	SURE LITE	SRP250-WH	120	2	INTEGRAL LED	1	CEILING	WALL MOUNT EXT. EM LT
F11	TRIANGLE SIGN	GLS-LHWP-1-C-4-T3-H-BZ	120	2	INTEGRAL LED	1	CEILING	WALL MOUNT EXT. EM LT

- #### GENERAL NOTES
- ALL OUTLET, SWITCH, AND LIGHT LOCATIONS SHALL BE APPROVED BY OWNER PRIOR TO INSTALLATION.
 - ALL LIGHT FIXTURES IN ENTIRE SPACE SHALL BE LED ONLY.
 - EXIT/EMERGENCY LIGHTING SHALL NOT BE SWITCHED (UPSTREAM OF CONTROLLER).
 - ALL COVER PLATES SHALL BE STAINLESS STEEL.
 - ALL LIGHTING SHALL BE CONTROLLED BY THE CONTRACTOR.

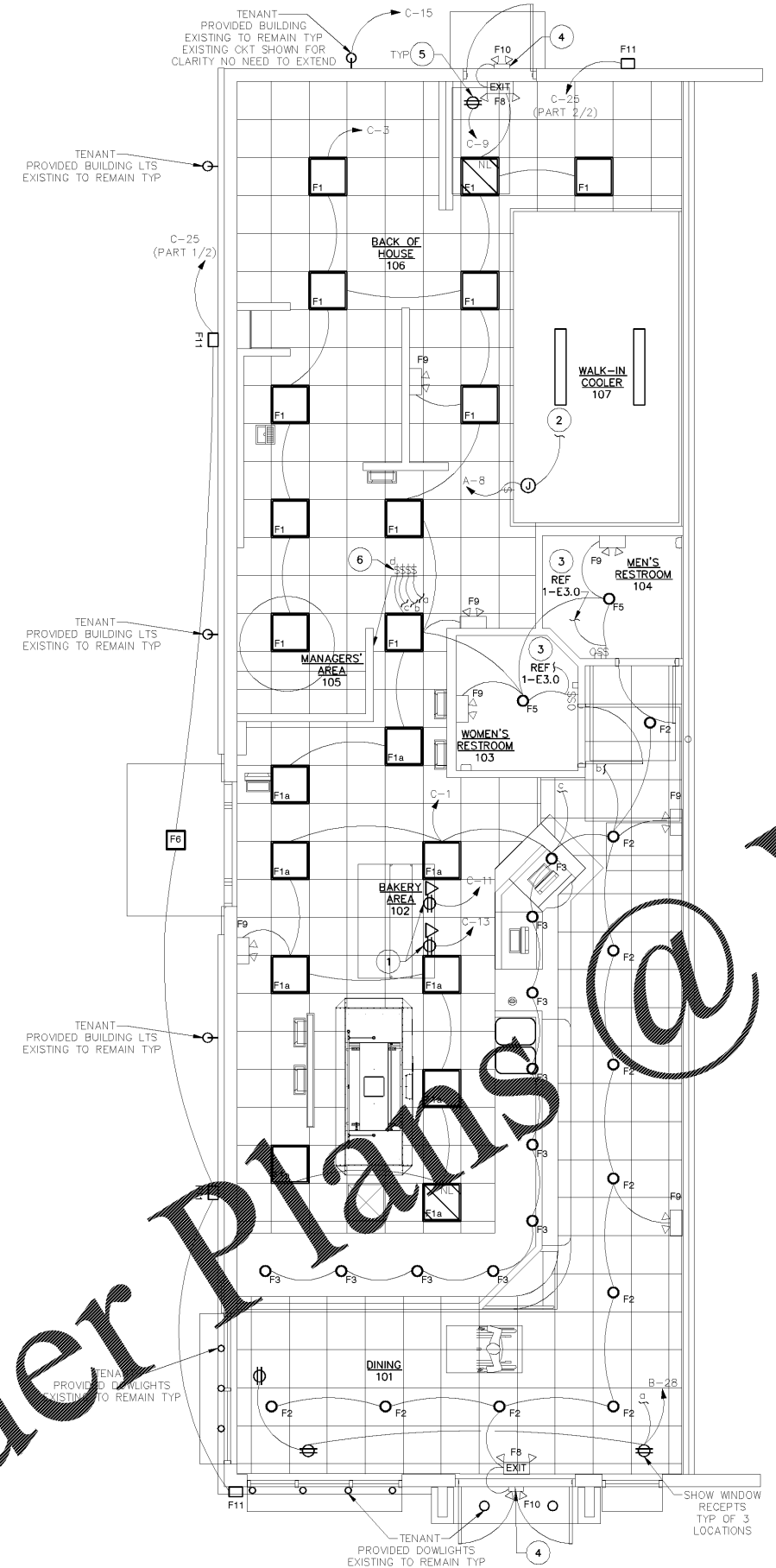
- #### KEYNOTES
- CONTRACTOR TO COORDINATE ALL POWER & ALLOW VOLTAGE IN BUILDING FOR MENU BOARD FIELD CONNECTION. RE: 3/E1.0
 - CONTRACTOR TO COORDINATE CONNECTION AND POWER/WIRING REQUIREMENTS WITH WALK-IN COOLER PROVIDER PRIOR TO ROUGH-IN.
 - EXHAUST FAN SHALL BE INTERLOCKED WITH LIGHT SWITCH. INSTALL PER MANUFACTURERS SPECIFICATIONS. RE: 1/E3.0
 - 'F10' REMOTE FIXTURES TO BE FED FROM REMOTE OUTPUT OF 'F8' EXIT/EM FIXTURES. TYPICAL
 - CEILING MOUNTED RECEPTACLES TO BE USED FOR FUTURE CAMERA SYSTEM. INSTALL CEILING MOUNTED RECEPTACLE PER DETAIL 3/E1.0
 - REFERENCE LIGHTING SWITCHBANK DETAIL 2 ON THIS SHEET RE: 2/E1.0



03 CEILING MOUNTED RECEPTACLE
 SCALE: N.T.S.



02 LIGHTING SWITCHBANK DETAIL
 SCALE: N.T.S.



01 LIGHTING PLAN
 SCALE: 1/4" = 1'-0"

Order Plans @ WWW.LDILINE.COM