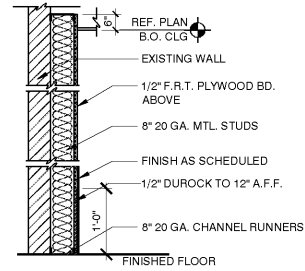
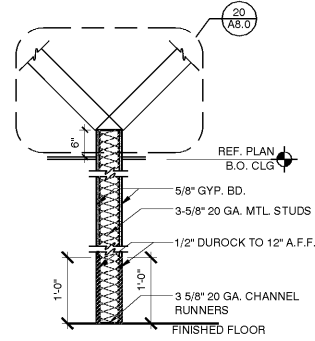


B

B1 SAME AS 'B' EXCEPT 3-5/8" STUDS



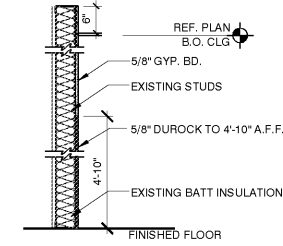
D



E

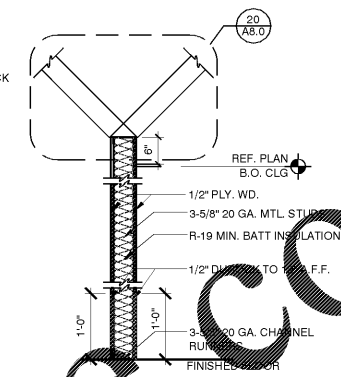
E1 SAME AS 'E' EXCEPT 5/8\"/>

E2 SAME AS 'E' EXCEPT FULL HT 5/8\"/>



F

F1 SAME AS 'F' EXCEPT FULL HT 1/2\"/>



\*NOTE: SOUND BATTS IN RESTROOM WALLS

01 WALL TYPES  
SCALE: 3/4\"/>

CARRY D. McLAIN  
ARCHITECT

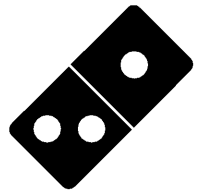
3871 IRVING BLVD.  
DALLAS, TEXAS 75207  
TEL: 972-861-3396



09-24-18

CLIENT PROJECT # 5879  
ARCHITECTURAL PROJECT NO.: 385-071  
DRAWN BY: RC  
CHECKED BY: CT/RO

DOMINO'S PIZZA  
30 FRANK LLOYD WRIGHT DRIVE  
ANN ARBOR, MI 48105  
TEL: 314.910.8560



Domino's

DOMINO'S PIZZA  
#5879  
3871 AIRPORT BLVD.  
MOBILE, AL 36608

NO.	REVISIONS	DATE

PLANNING REVIEW ISSUE DATE: N/A  
CLIENT REVIEW ISSUE DATE: 08/13/2018  
LANDLORD REVIEW ISSUE DATE: 08/13/2018  
BID ISSUE DATE: 09/24/2018  
HEALTH DEPT. REVIEW ISSUE DATE: 09/24/2018  
BUILDING REVIEW ISSUE DATE: 09/24/2018  
CONSTRUCTION ISSUE DATE: 09/24/2018

DRAWING TITLE:  
WALL TYPES, SECTIONS,  
& DETAILS

DRAWING NUMBER:

A7.0

Order Plans @ www.LDILine.com