

ACCESSORY MOUNTING SCHEDULE

A1	A2	A3	A4	A5	A6	A7	A8	A9	A10	A11
TOILET ENSURE FLUSH VALVE FACES "WIDE-SIDE" OF ROOM 	PAPER TOWEL DISPENSER 	LAVATORY & FAUCET 	TOILET PAPER DISPENSER 	SOAP DISPENSER 	36" GRAB BAR 	42" GRAB BAR 	30" x 30" MIRROR 	HIGH-LOW DRINKING FOUNTAINS 	VERTICAL GRAB BAR 	AIR FRESHENER
SPECIFICATION:										
EXISTING TO BE RE-USED	CINTAS #20009 (12.57"W x 16.38"H x 9.83"D)	EXISTING TO BE RE-USED FAUCET: SLOAN ETF-600-B/EL-298-40 HARDWIRED, SENSOR OPERATED	CINTAS TISSUE PAPER: #27071/#27077 (10.56"W x 6.89"H x 6.75"D)	CINTAS SOAP DISPENSER: #27058/#27064 (3.68"W x 10.88"H x 3.88D)	EXISTING TO BE RE-USED	EXISTING TO BE RE-USED	EXISTING TO BE RE-USED	HAWS 1119-146 WITH FOUNTAIN SKIRT: MODEL SK1	EXISTING TO BE RE-USED	CINTAS AIR FRESHENER: #27013/#27019 (3.75"W x 6.06"H x 3.38D)

GENERAL RESTROOM NOTES

- ALL EXISTING PLUMBING TO BE REUSED.
- REFERENCE ACCESSORY MOUNTING SCHEDULE FOR PLUMBING FIXTURE AND ACCESSORIES RESPONSIBILITY.

RESTROOM PLAN KEYNOTES

- HOT WATER PIPES AND DRAIN LINES TO BE INSULATED, TYP
- ADA DOOR SIGNAGE, REF. 05/A5.0 AND 07/A5.0

CARRY D. McLAIN
ARCHITECT

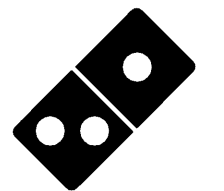
2651 IRVING BLVD.
DALLAS, TEXAS 75207
TEL: 972-861-1296



09-24-18

CLIENT PROJECT # 5878
ARCHITECTURAL PROJECT NO.: 385-071
DRAWN BY: RC
CHECKED BY: CT/RO

DOMINO'S PIZZA
30 FRANK LLOYD WRIGHT DRIVE
ANN ARBOR, MI 48105
TEL: 314.910.8560



DOMINO'S PIZZA
#5879

3871 AIRPORT BLVD.
MOBILE, AL 36608

NO.	REVISIONS	DATE

PLANNING REVIEW ISSUE DATE: N/A
CLIENT REVIEW ISSUE DATE: 08/13/2018
LANDLORD REVIEW ISSUE DATE: 08/13/2018
BID ISSUE DATE: 09/24/2018
HEALTH DEPT. REVIEW ISSUE DATE: 09/24/2018
BUILDING REVIEW ISSUE DATE: 09/24/2018
CONSTRUCTION ISSUE DATE: 09/24/2018

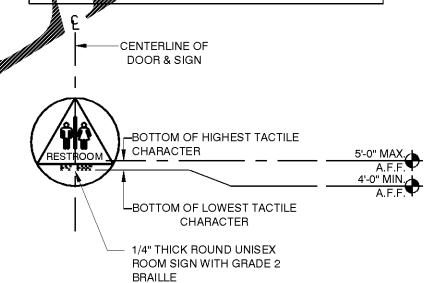
DRAWING TITLE:
ENLARGED RESTROOM PLAN,
ELEVATIONS, & SCHEDULES

DRAWING NUMBER:

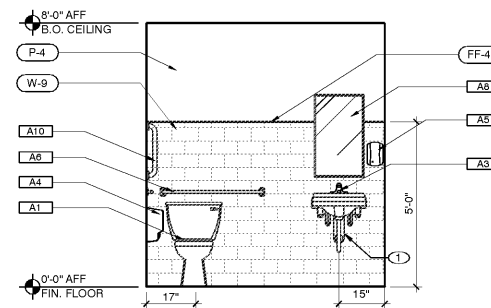
A5.0

© 2018 CARRY D. McLAIN - ARCHITECT

NOTE: SIGNAGE COLORS AND LETTER SIZE SHALL COMPLY WITH LOCAL CODE AND ACCESSIBILITY REQUIREMENTS.



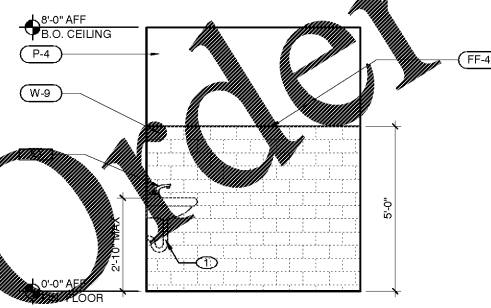
07 ADA SIGNAGE
SCALE: 1" = 1'-0"



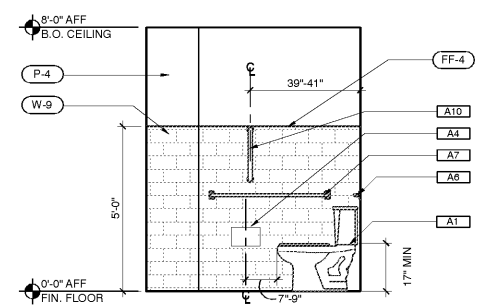
01 ELEVATION @ RESTROOM
SCALE: 3/8" = 1'-0"



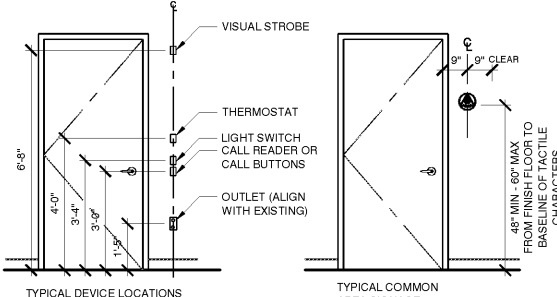
02 ELEVATION @ RESTROOM
SCALE: 3/8" = 1'-0"



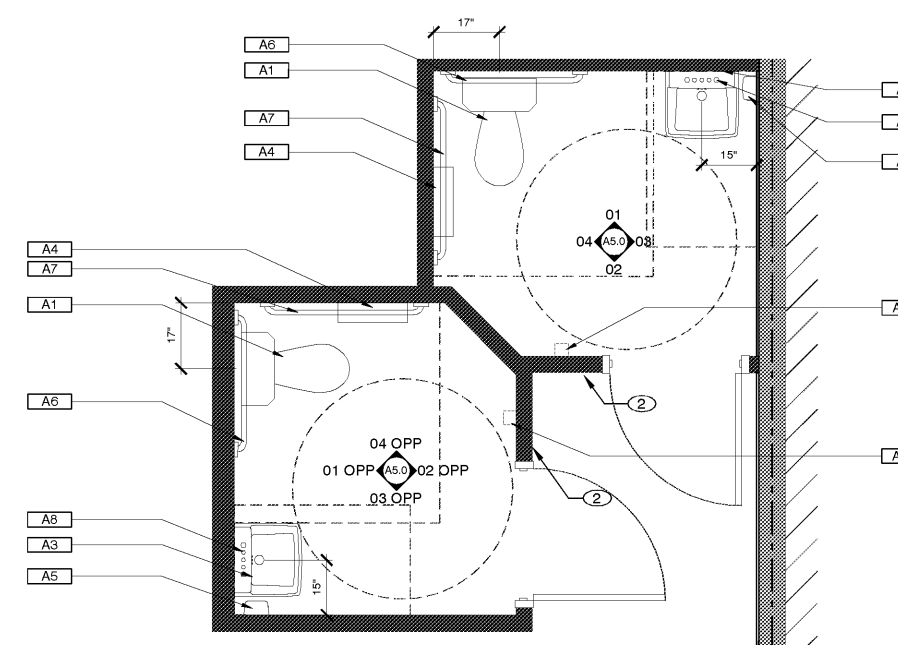
03 ELEVATION @ RESTROOM
SCALE: 3/8" = 1'-0"



04 ELEVATION @ RESTROOM
SCALE: 3/8" = 1'-0"



05 ADA DOOR SIGNAGE
SCALE: 3/8" = 1'-0"



06 ENLARGED RESTROOM PLAN
SCALE: 1/2" = 1'-0"

Order Plans @

WWW.LDILine.com