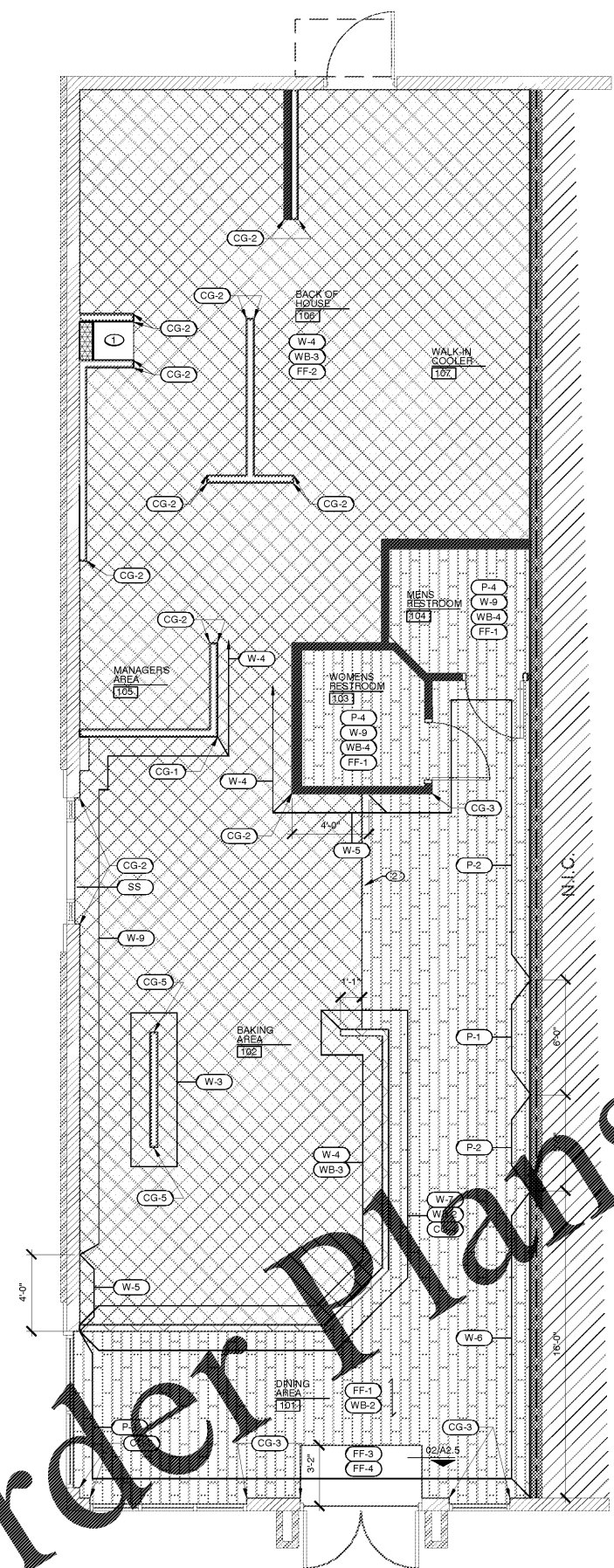
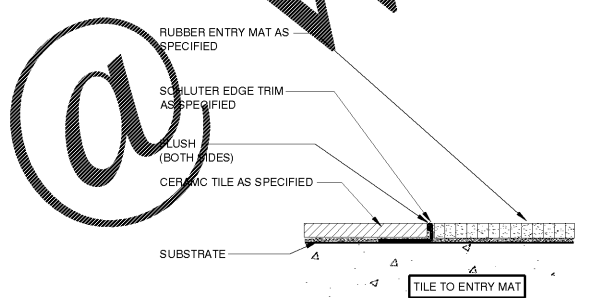


Order Plans

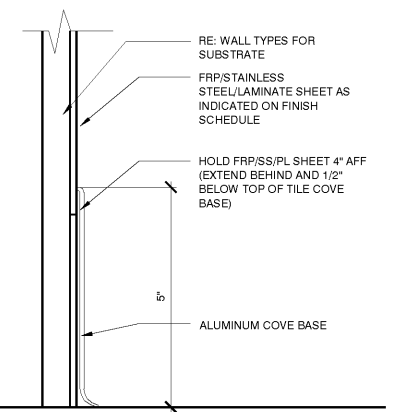


01 FINISH PLAN
SCALE: 1/4" = 1'-0"

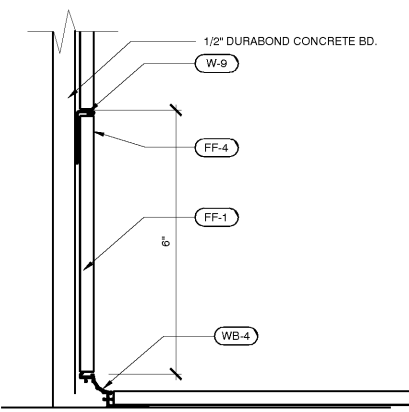
ID	DESCRIPTION	PRODUCT	SUPPLIED BY	INSTALLED BY
PAINT				
P-1	CHALKBOARD PAINT	BENJAMIN MOORE #307-80 - BLACK CHALKBOARD PAINT	G.C.	G.C.
P-2	CRUST COLOR PAINT	SHERWIN-WILLIAMS #SW6123 - BAGUETTE, EGGSHELL	G.C.	G.C.
P-3	RED PAINT	SHERWIN-WILLIAMS #SW6668 - REAL RED, EGGSHELL (EPOXY BASE OR OIL BASED ENAMEL)	G.C.	G.C.
P-4	BLUE PAINT	BENJAMIN MOORE #2060-20 - CALIFORNIA BLUE PAINT (EPOXY BASE OR OIL BASED ENAMEL)	G.C.	G.C.
P-5	BROWN PAINT FOR HVAC GRILL	VALSPAR - LABRADOR FLAT SPRAY PAINT	G.C.	G.C.
P-6	WHITE PAINT	SHERWIN-WILLIAMS #SW7006 - EXTRA WHITE, EGGSHELL	G.C.	G.C.
FLOORING				
FF-1	PORCELAIN TILE	DAL TILE, YACHT CLUB, 6"x24", COCKPIT COLOR #YC03, GROUT: CUSTOM BUILDING PRODUCTS #60 CHARCOAL-POLY BLEND SANDED, 1/8" GROUT JOINT	RPM	G.C.
FF-2	QUARRY TILE	SUMMITVILLE, STRATA 2, 8"x8", 54 DRIFTWOOD, GROUT: CUSTOM BUILDING PRODUCTS #60 CHARCOAL-POLY BLEND SANDED, 3/16" GROUT JOINT	RPM	G.C.
FF-3	INSET ENTRY WALK OFF FLOOR MAT	INSET ENTRY FLOOR MAT BY "MATS INC" ULTRA ENTRY SYSTEM	RPM	G.C.
FF-4	ALUMINUM TRANSITION STRIP	SCHLUTER - SCHIENE, A100 ALUMINUM EDGE PROTECTION & TRANSITION	G.C.	G.C.
FF-5	RUBBER TILE FLOORING	JOHNSONITE, 1/8" THK. RUBBER TILE WITH RAISED ROUND DOME TEXTURE W/ ROPPE STAIR NOSING #1, COLOR TO MATCH RUBBER FLOORING	RPM	G.C.
WALL BASE				
WB-1	VINYL WALL BASE	JOHNSONITE, 4" HIGH VINYL WALL BASE, #69 STERLING SILVER		
WB-2	PORCELAIN TILE BASE	MATCHES FF-1	RPM	G.C.
WB-3	ALUMINUM BASE	NEW AGE ALUMINUM COVE BASEBOARD 5" x 96"	RPM	G.C.
WB-4	ALUMINUM BASE	SCHLUTER - DILEX-AHK, 1S 100 AE	RPM	G.C.
WALL COVERING				
W-1	WHITE FRP ON 5/8" THK DRYWALL	MARLITE OR PREMIUM GRADE WHITE, #P-100, PEBBLE SURFACE	G.C.	G.C.
W-2	STAINLESS STEEL BACK SPLASH OVER FRP	24 GAUGE STAINLESS STEEL SEE GENERAL NOTES	RPM	G.C.
W-3	STAINLESS STEEL BACK SPLASH OVER DRYWALL	24 GAUGE STAINLESS STEEL SEE GENERAL NOTES	RPM	G.C.
W-4	WHITE FRP ON 5/8" THK CDX PLYWOOD	RED FRP PANEL, CRANE COMPOSITES OR EQ., #STC, SANDSTONE TEXTURE, #731 RED	G.C.	G.C.
W-5	WALL GUARD	RED FRP ON 5/8" THICK PLYWOOD	G.C.	G.C.
W-6	WALLCOVERING	COLORLED NEWSPRINT VINYL WALL COVERING	RPM	G.C.
W-7	ALUMINUM LAMINATE	MT-01 BRUSHED ALUMINUM, NO.700 SERIES HPL CLASSICS, CHEMETAL	G.C.	G.C.
W-9	WHITE SUBWAY TILE	WHITE 3"x6" CERAMIC SUBWAYS TILE BY DAL TILE, #0100 - (WHITE) WHITE TILE WITH WHITE GROUT TO MATCH, 1/2 TILE OFFSET	RPM	G.C.
CORNER GUARDS				
CG-1	CORNER GUARD - STAINLESS STEEL	2" X 2" FLANGE STAINLESS STEEL CORNER GUARDS, FROM TOP OF BASE TO CEILING (GRID SUBWAY TILE TO FRP)	RPM	SEE GENERAL NOTES
CG-2	CORNER GUARD - WHITE	1 1/2" X 1 1/2" FRP WIDE CORNER TPO MATCH W-1 (ALL FRP CORNERS AND DRIVE THRU WINDOW)	RPM	SEE GENERAL NOTES
CG-3	CORNER GUARD - STAINLESS STEEL	1" X 1" X 55" STAINLESS STEEL CORNER GUARD FROM TOP OF BASE TO 55" AFF (ALL OUTSIDE CORNERS IN LOBBY)	RPM	SEE GENERAL NOTES
CG-4	CORNER GUARD - STAINLESS STEEL	1" X 1" X 37" STAINLESS STEEL CORNER GUARD FROM BASE TO SOLID SURFACE WALL CAP	RPM	
CG-5	CORNER GUARD - STAINLESS STEEL	2" X 2" X 5" STAINLESS STEEL END CAP WALL GUARD FROM TOP OF BASE TO CEILING	RPM	
CG-6	CORNER GUARD - STAINLESS STEEL	1" X 1" X 10" STAINLESS STEEL CORNER GUARD FROM TOP OF BASE TO CEILING (RED FRP TO WHITE FRP @ FOCAL WALL WHEN IN GOVERNING TOLERANCE OUTSIDE CORNER)	RPM	
MISC				
SS	SOLID SURFACE	CORIAN, TERRAZZO COLLECTION, "MOTTAGE LANE"	GC	GC
CR-1	CHAIR RAIL	PRO-TEK WALL PROTECTION SYSTEMS, CR-4 CLEAR LEXAN	RPM	G.C.



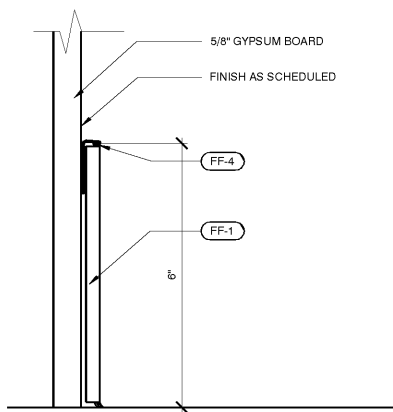
02 FLOORING TRANSITION DTL
SCALE: 6" = 1'-0"



03 BOH BASE DETAIL
SCALE: 6" = 1'-0"



04 RR BASE DETAIL
SCALE: 6" = 1'-0"



05 DINING BASE DETAIL
SCALE: 6" = 1'-0"

FINISH PLAN GENERAL NOTES

- THE SURFACE OF FLOOR SHALL BE SLIP RESISTANT. WHEN TESTED IN ACCORDANCE WITH ASTM C1028B TEST PROCEDURE FOR COEFFICIENT OF FRICTION, TILE MUST ACHIEVE A WET & DRY VALUE OF NOT LESS THAN .60.
- WALL AND CEILING MATERIALS SHALL NOT EXCEED THE FLAME SPREAD CLASSIFICATIONS IN TABLE 803.9 PER IBC 2012.
- ALL FRP INSIDE CORNERS AND TRIM PIECES TO MATCH. RPM WILL PROVIDE ALL OUTSIDE CORNERS AND GENERAL CONTRACTOR WILL INSTALL.
- W-3 STAINLESS STEEL WILL BE APPLIED DIRECTLY TO THE SHEETROCK USING LOCKTIGHT QUICK GRAB OR EQUAL. STAINLESS STEEL WILL GO FROM FLOOR TO PAST BOTTOM EDGE OF EXHAUST HOOD, USING NO SCREWS OR NAILS TO HOLD IN PLACE.
- W-2 STAINLESS STEEL WILL BE SEPARATE SHEETS APPLIED TO THE WALLS BETWEEN THE HAND SINKS, ABOVE AND ON THE SIDE WALL OF THE 3-COMPARTMENT SINK AND ON ALL 3 WALLS OF THE MOP SINK AT 36" A.F.F.
- ALL SCREW HOLES AND JOINTS FILLED, SANDED, AND PAINTED WITH OIL BASED ENAMEL WHITE PAINT.
- CORNER GUARDS TO BE APPLIED USING LOCKTIGHT QUICK GRAB OR EQUAL USING NO NAILS OR SCREWS TO HOLD IN PLACE. WHEN CAULK EDGES, USING CLEAR SILICONE.
- CORNER GUARDS TO BE APPLIED USING 3M DUCT TAPE SIDED TAPE THAT IS ALREADY SUPPLIED. CAULK EDGES USING CLEAR SILICONE CAULK.
- ENTIRE WALLS HAS ALUMINUM BASE. WALLS IT COMES IN 8'-0" LENGTHS. ALL INSIDE AND OUTSIDE CORNERS ARE TO BE MITERED AND BASE IS TO BE CAULKED TO THE FLOOR AND WALL WITH CLEAR SILICONE. ALL INSIDE AND OUTSIDE CORNERS TO BE CAULKED USING GRAY SILICONE.
- DUROCK WALLS SHALL BE PLACED IN A 1/2" BED OF SILICONE THEN SCREWED TO STUDS. THE REST OF THE WALL IS TO BE AS PER FINISH SCHEDULE.
- ALL DOORS AND FRAMES ARE TO BE PAINTED USING OIL BASED ENAMEL PAINT. REFER TO DOOR AND FINISH SCHEDULES FOR COLOR.
- GENERAL CONTRACTOR TO SUPPLY STAINLESS STEEL "L" TRIM PIECE FOR FLOOR MAT INSTALLATION. COORDINATE WITH RPM PIZZA LLC.

FINISH PLAN KEYNOTES

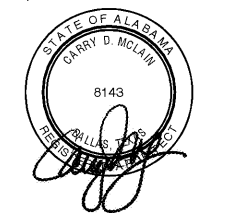
- LOCATION OF MOP SINK. REFERENCE SHEET A8.0 FOR MORE DETAILS.
- START TRANSITION WITH FULL SIZE TILE.

FINISH LEGEND

SYMBOL	DESCRIPTION
(FC-01)	FINISH SPECIFICATION - REFERENCE SCHEDULE
(FC-02)	FLOOR FINISH TRANSITION
(E)	EXISTING TO REMAIN
→	DIRECTION OF FLOOR PATTERN
[Grid Pattern]	PORCELAIN TILE
[Cross-hatch Pattern]	QUARRY TILE

CARRY D. McLAIN
ARCHITECT

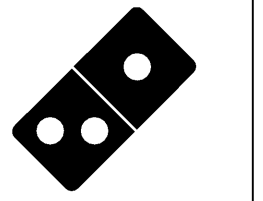
2651 IRVING BLVD.
DALLAS, TEXAS 75207
TEL: 972-861-0296



09-24-18

CLIENT PROJECT # 5878
ARCHITECTURAL PROJECT NO.: 385-071
DRAWN BY: RC
CHECKED BY: CT/RO

DOMINO'S PIZZA
30 FRANK LLOYD WRIGHT DRIVE
ANN ARBOR, MI 48105
TEL: 314.910.8560



Domino's

DOMINO'S PIZZA
#5879
3871 AIRPORT BLVD.
MOBILE, AL 36608

NO.	REVISIONS	DATE

PLANNING REVIEW ISSUE DATE: N/A
CLIENT REVIEW ISSUE DATE: 08/13/2018
LANDLORD REVIEW ISSUE DATE: 08/13/2018
BID ISSUE DATE: 09/24/2018
HEALTH DEPT. REVIEW ISSUE DATE: 09/24/2018
BUILDING REVIEW ISSUE DATE: 09/24/2018
CONSTRUCTION ISSUE DATE: 09/24/2018

DRAWING TITLE:
FINISH PLAN

DRAWING NUMBER:

A2.5