



Mulherin Custodial Home
2496 Halls Mill Road
Mobile, AL 36606

THIS DRAWING AND ITS REPRODUCTIONS ARE THE PROPERTY OF THE ARCHITECT AND MAY NOT BE REPRODUCED, PUBLISHED, OR USED IN ANY MANNER WITHOUT THE PERMISSION OF THE ARCHITECT.

REVISIONS	
MARK	DATE

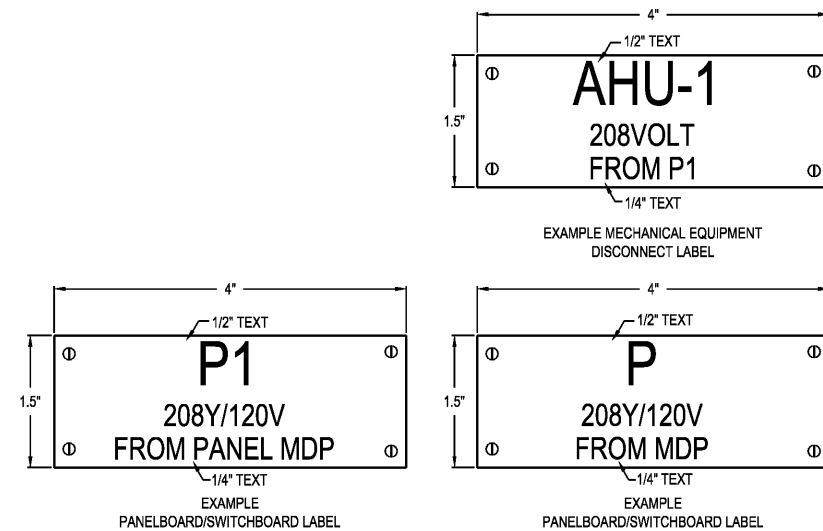
SHEET NAME
FIRE ALARM DETAILS

PROJECT NO. 2018-16

DATE SEPTEMBER 28, 2018

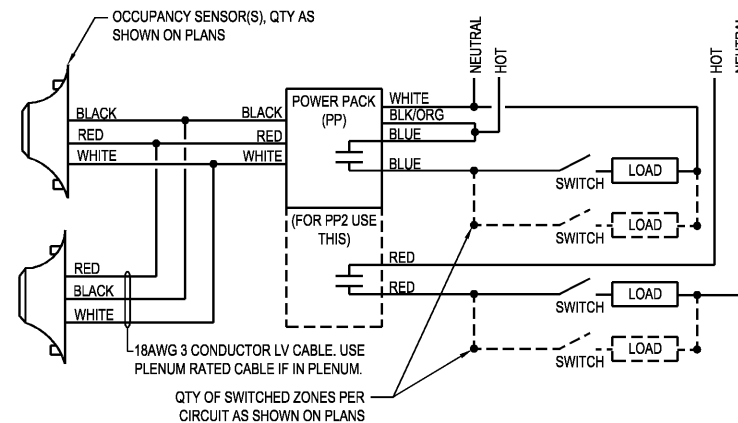
SHEET NO.

E10.0

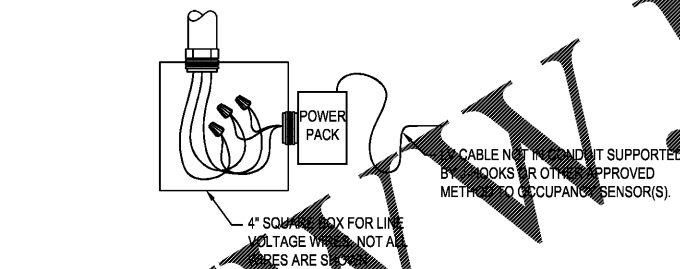


1 TYPICAL EQUIPMENT LABELING DETAIL
NOT TO SCALE

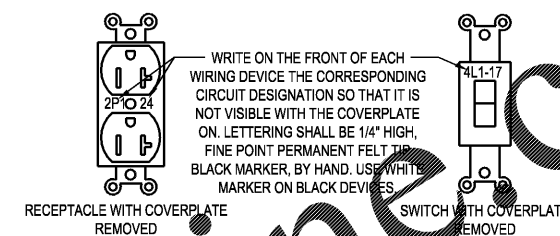
ENGRAVED PLASTIC TAG WITH BLACK LETTERS ON WHITE BACKGROUND (RED BACKGROUND FOR EMERGENCY EQUIPMENT). TAG SHALL HAVE ALL EDGES BEVELED AND SMOOTH. SECURE TAG WITH 4 CHROME (STAINLESS STEEL FOR WET OR DAMP LOCATIONS) SCREWS. ADHESIVE BACKING, TAPE, ETC IS NOT ALLOWED. DIMENSIONS ARE MINIMUM, TAG SHALL BE LARGER AS REQUIRED TO FIT APPROPRIATE TEXT.



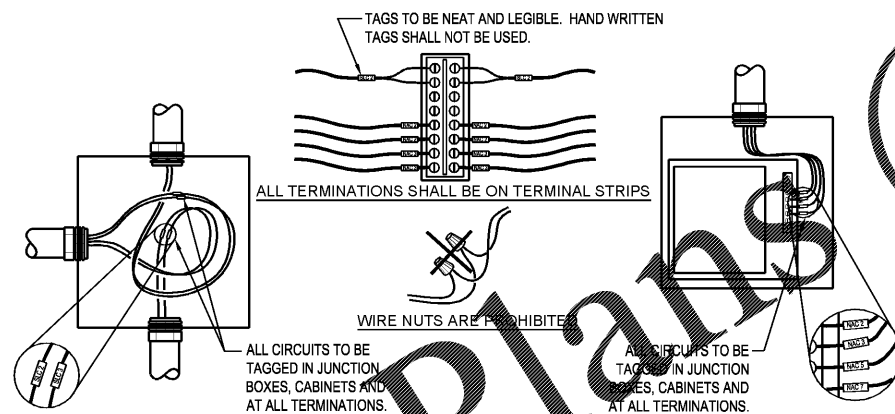
3 OCCUPANCY SENSOR CONNECTION DETAIL
NOT TO SCALE



4 OCCUPANCY SENSOR POWER PACK DETAIL
NOT TO SCALE

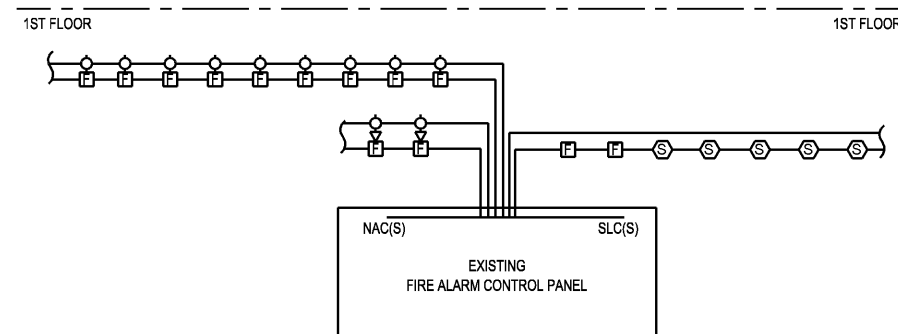


5 WIRING DEVICE LABEL DETAIL
TO SCALE



2 FIRE ALARM SYSTEM LABELING DETAIL
NOT TO SCALE

ENGRAVED PLASTIC TAG WITH 1/4" HIGH WHITE LETTERS ON RED BACKGROUND. TAG SHALL HAVE ALL EDGES BEVELED AND SMOOTH. SECURE TAG WITH 2 CHROME (STAINLESS STEEL FOR WET OR DAMP LOCATIONS) SCREWS. ADHESIVE BACKING, TAPE, ETC IS NOT ALLOWED. 1"x3" DIMENSIONS ARE MINIMUM, TAG SHALL BE LARGER AS REQUIRED TO FIT APPROPRIATE TEXT.



FIRE ALARM RISER NOTES:

1. THE NAC CIRCUIT IS SHOWN DIAGRAMMATIC. MAXIMUM NUMBER OF STROBES ON ANY CIRCUIT IS LIMITED. SEE SPECIFICATIONS.
2. SLC LOOP TO CONNECT TO ALL ADDRESSABLE FIRE ALARM SYSTEM DEVICES. VERIFY DEVICES FROM FLOOR PLANS. PROVIDE ADDITIONAL LOOP(S) AS REQUIRED. SEE SPECIFICATIONS.
3. 3/4" MINIMUM CONDUIT SIZE FOR FIRE ALARM SYSTEM CIRCUITS. ALL CIRCUITS SHALL BE IN CONDUIT DEDICATED TO THE FIRE ALARM SYSTEM.
4. BATTERY CABINETS AND NAC EXPANDERS TO BE LOCATED AS NEEDED IN ELECTRICAL ROOMS ONLY.

6 FIRE ALARM SYSTEM RISER DIAGRAM
NOT TO SCALE