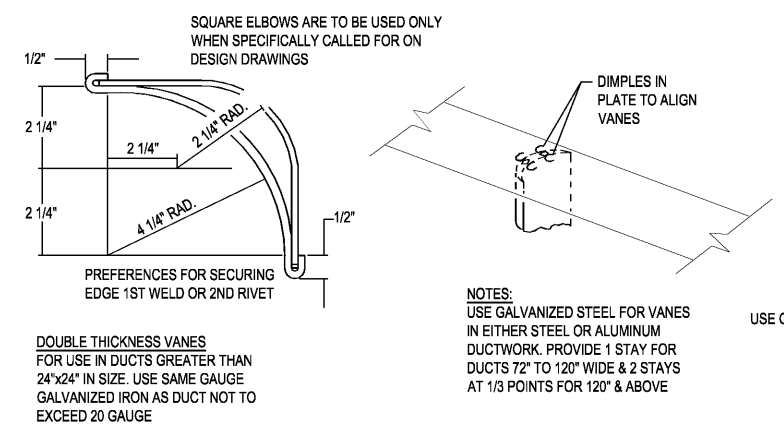
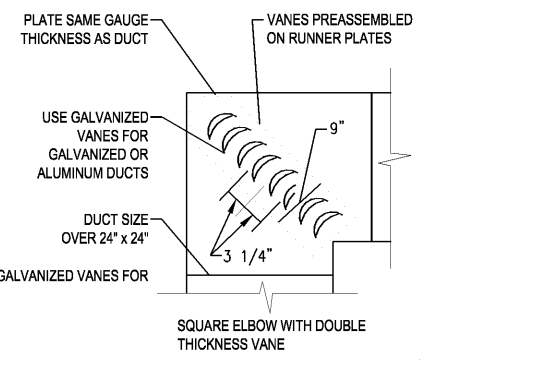


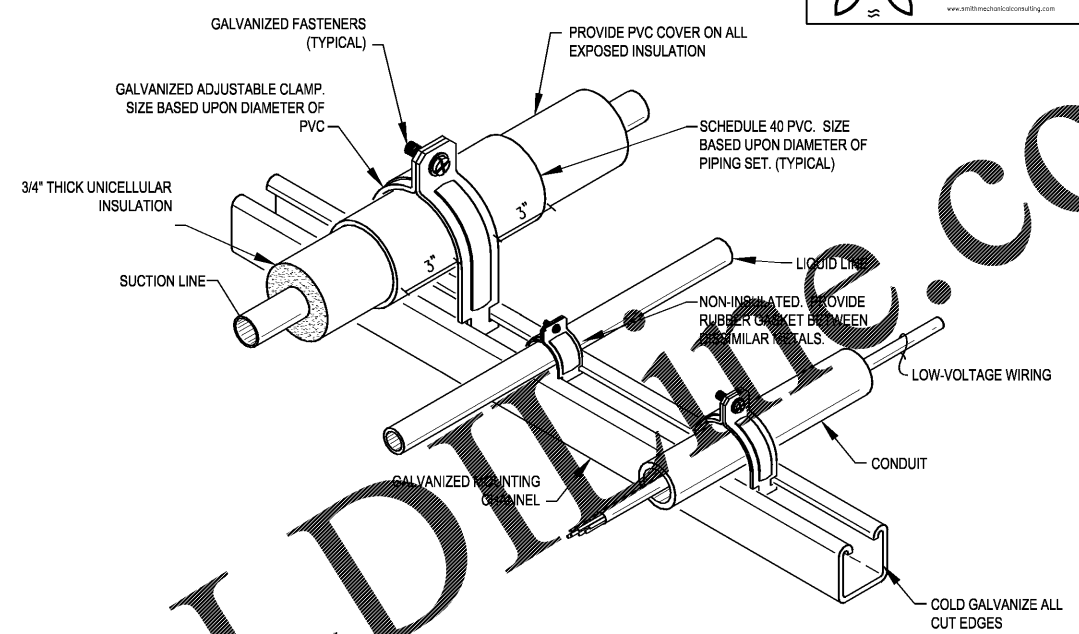
REVISIONS	
MARK	DATE



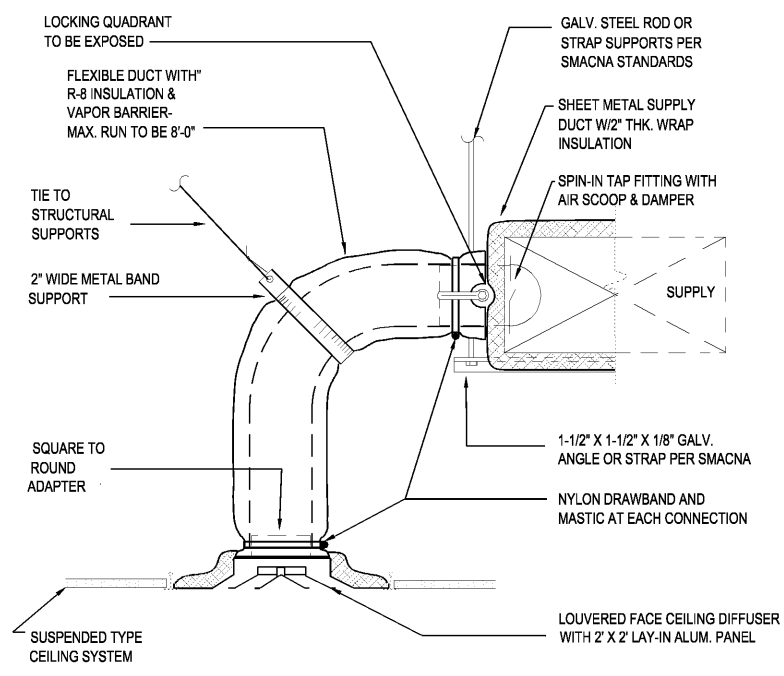
1 TURNING VANE DETAIL
NOT TO SCALE



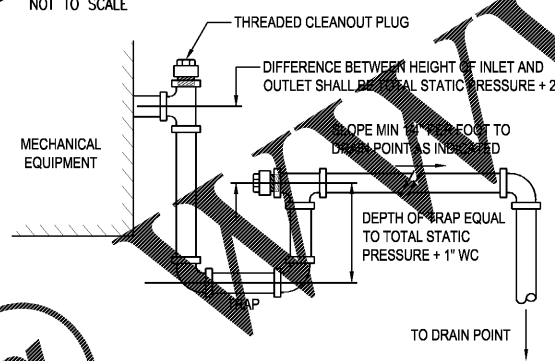
3 TYPICAL ENGRAVED TAG DETAIL
NOT TO SCALE



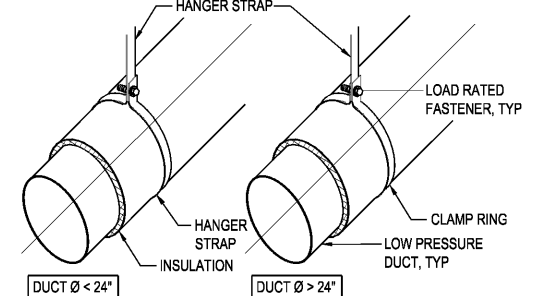
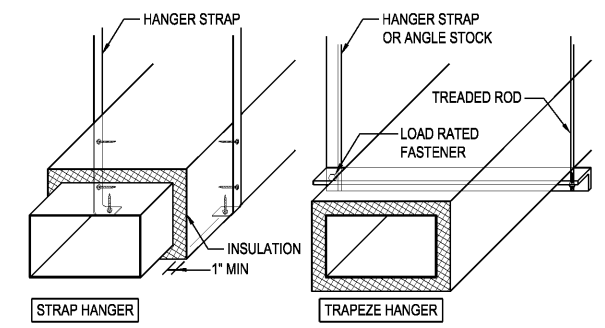
4 REFRIGERANT PIPE MOUNTING DETAIL
NOT TO SCALE



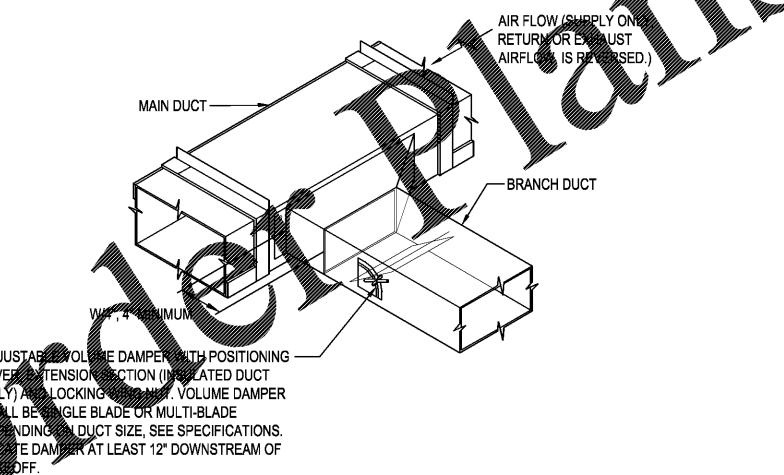
2 TYPICAL DIFFUSER DETAIL
NOT TO SCALE



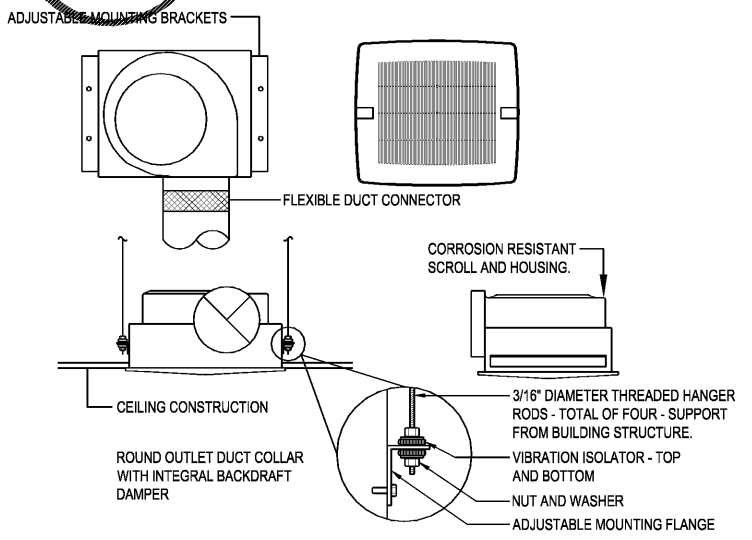
5 TYPICAL CONDENSATE TRAP DETAIL
NOT TO SCALE



6 DUCT HANGER DETAIL
NOT TO SCALE



7 TYPICAL RETURN BRANCH DUCT TAKEOFF DETAIL
NOT TO SCALE



8 CEILING EXHAUST FAN DETAIL
NOT TO SCALE