

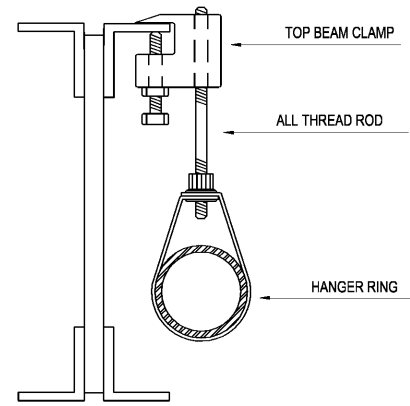
GENERAL SHEET NOTES

1. CONTRACTOR SHALL PROVIDE AND INSTALL A WET PIPE SPRINKLER SYSTEM FOR THE NEW BUILDING PER THE REQUIREMENTS OF NFPA 13. CONTRACTOR SHALL EXTEND THE EXISTING WET PIPE SPRINKLER SYSTEM SERVING THE ADJACENT BUILDING AS NECESSARY TO PROVIDE COVERAGE PER NFPA 13.
2. CONTRACTOR SHALL PROVIDE A ZONE VALVE FLOW SWITCH BY SPRINKLER CONTRACTOR. FIRE ALARM CONTRACTOR SHALL PROVIDE ADDRESSABLE MONITOR MODULES, CONNECTION TO THE FLOW SWITCH, AND CONNECTION TO FIRE ALARM SYSTEM. FIRE ALARM CONTRACTOR SHALL COORDINATE EXACT LOCATION OF FLOW SWITCH WITH SPRINKLER CONTRACTOR. FIRE SPRINKLER CONTRACTOR IS RESPONSIBLE FOR COORDINATING ELEMENTS OF WORK REQUIRED TO BE INSTALLED BY THE FIRE ALARM CONTRACTOR.
3. PROVIDE SPRINKLER PROTECTION FOR THE ENTIRE BUILDING, INCLUDING THE COVERED PORCH, AND ATTIC SPACE. IT IS EXPECTED THE CONTRACTOR SHALL ROUTE PIPING WITHIN THE SPACE ABOVE THE CEILING WITH THE SPACE PROVIDED AS INDICATED ON THE PLANS. COORDINATE ROUTING OF PIPING IN ALL LOCATIONS WITH THE ARCHITECT. SUBMIT SHOP DRAWINGS FOR APPROVAL PRIOR TO BEGINNING ANY WORK. SHOP DRAWINGS SHALL INCLUDE DUCT COORDINATION DRAWINGS VERIFIED BY THE HVAC CONTRACTOR.
4. COORDINATE EXACT LOCATION OF ALL SPRINKLERS WITH THE CEILING AND LIGHTING LAYOUT.
5. LIGHT FIXTURES AND HVAC DIFFUSERS TAKE PRECEDENCE. ADD ADDITIONAL SPRINKLERS AS REQUIRED TO MEET "COVERAGE REQUIREMENTS".
6. IN MECHANICAL AND JANITOR'S ROOMS FINAL LOCATION OF SPRINKLERS SHALL BE DETERMINED AFTER EQUIPMENT AND DUCTWORK ARE IN PLACE. CONTRACTOR SHALL PROVIDE ADDITIONAL SPRINKLERS, IF NECESSARY, TO PROVIDE ADEQUATE COVERAGE IN ACCORDANCE WITH NFPA 13.
7. PROVIDE A LISTED GUARD FOR SPRINKLERS IN LOCATIONS SUBJECT TO MECHANICAL INJURY. THESE AREAS SHALL INCLUDE MECHANICAL ROOMS, ELECTRICAL ROOMS, UNDER STAIRWELL LANDING.
8. ROUTE SPRINKLER PIPING WITHIN THE TRUSS SPACE. CEILING SPACE BELOW THE TRUSSES IS FOR HVAC, ELECTRICAL, AND PLUMBING. FIELD VERIFY AVAILABLE SPACE.
9. REFERENCE ARCHITECTURAL PLANS FOR CEILING TYPES AND HEIGHTS. PROVIDE COVERAGE PER NFPA 13 ACCORDINGLY.
10. SUBMIT ENGINEER STAMPED DRAWINGS FOR APPROVAL BY THE LOCAL GOVERNING AUTHORITY PRIOR TO BEGINNING ANY WORK.
11. PROVIDE CONCEALED HEADS IN LOCATIONS WITH LAY-IN OR GYPSUM CEILINGS. ESCUTCHEONS OR COVERS SHALL MATCH THE CEILING COLOR.
12. ALL WORK SHALL BE INSTALLED IN COMPLIANCE WITH THE REQUIREMENTS OF NFPA 13. ALL PIPING EXPOSED TO VIEW SHALL BE PAINTED TO MATCH SURROUNDINGS.

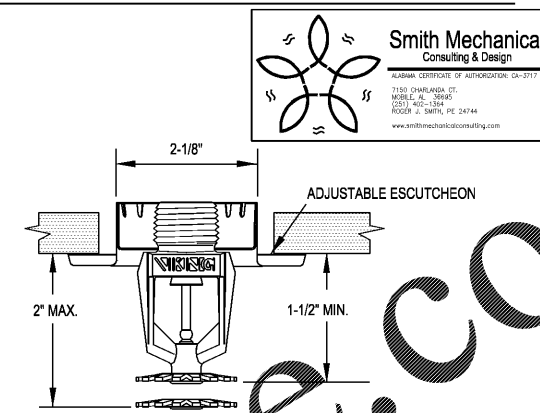
CALCULATIONS REQUIREMENTS

1. THE SYSTEM SHALL BE HYDRAULICALLY DESIGNED WITH A HOSE STREAM ALLOWANCE OF 250 GPM FOR LIGHT HAZARD AND 500 GPM FOR ORDINARY HAZARD AND DENSITY VALUES AS FOLLOWS:
 - LIGHT HAZARD DENSITY = 0.10 GPM/SF OVER THE MOST DEMANDING 1500 SQ. FT. WITH 225 SQ. FT. MAX COVERAGE FOR SPRINKLERS.
 - ORDINARY HAZARD GROUP 1 DENSITY = 0.15 GPM/SF OVER THE MOST DEMANDING 1500 SQ. FT. WITH 135 SF MAX COVERAGE FOR SPRINKLERS.
2. PROVIDE SHOP DRAWING AND CALCULATIONS:
 - ALL PIPING LABELED WITH REFERENCE TO HYDRAULIC CALCULATIONS.
 - PROVIDE QUALITY, MANUFACTURER, MODEL#, RATING, ORIFICE SIZE, AND ALL SPRINKLER HEADS PROVIDED LIST IN SHOP DRAWING.
 - INDICATE TYPE.
 - INDICATE AREA LOCATION.
 - HANGER DETAILS.
 - HAZARD CLASSIFICATION.
 - FLOW DATA.

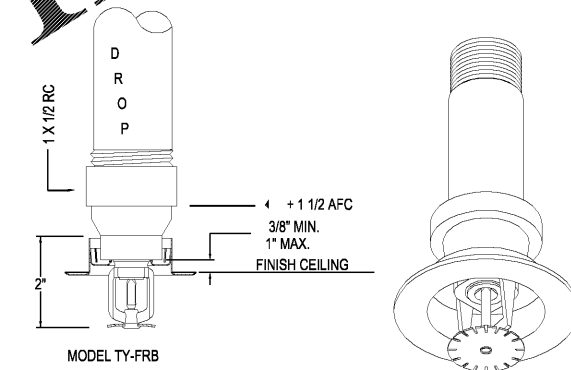
SEISMIC NOTE: THE AREA SEISMIC REQUIREMENTS ARE MEET USING STANDARD NFPA 13 SUPPORTS.



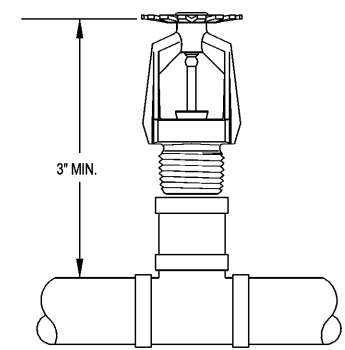
1 TOP BEAM CLAMP DETAIL
NOT TO SCALE



2 SPRINKLER HEAD DETAIL
NOT TO SCALE



3 RECESSED SPRINKLER HEAD DETAIL
NOT TO SCALE



4 UPRIGHT SPRINKLER HEAD DETAIL
NOT TO SCALE

Smith Mechanical Consulting & Design
ALABAMA LICENSED PROFESSIONAL ENGINEER
3150 OAKLAND AVE.
MOBILE, AL 36685
850.972.5814
ROBERT J. SMITH, P.E. 2474
www.smithmechanicalconsulting.com

CUMMINGS ARCHITECTURE
CORP.
1000 House Street
Mobile, Alabama 36606
TEL 251.433.9600

ALABAMA LICENSED PROFESSIONAL ENGINEER
No. 24744
ROBERT J. SMITH
9/28/2018

Mulherin Custodial Home
2496 Halls Mill Road
Mobile, AL 36606

THIS DRAWING AND ITS REPRODUCTIONS ARE THE PROPERTY OF THE ARCHITECT AND MAY NOT BE REPRODUCED, PUBLISHED, OR USED IN ANY MANNER WITHOUT THE PERMISSION OF THE ARCHITECT.

REVISIONS	
MARK	DATE

SHEET NAME
FIRE SPRINKLER NOTES & DETAILS
PROJECT NO. 2018-16
DATE SEPTEMBER 28, 2018
SHEET NO.

F1.0

Order Plans @ www.LDILine.com