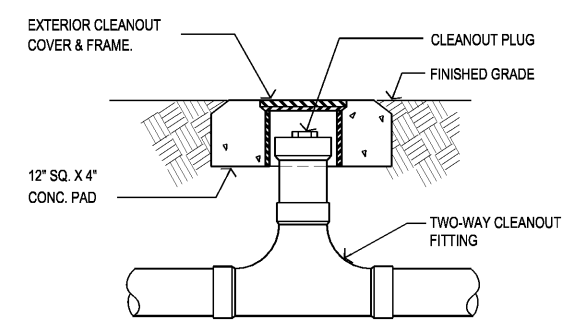


THIS DRAWING AND ITS REPRODUCTIONS ARE THE PROPERTY OF THE ARCHITECT AND MAY NOT BE REPRODUCED, PUBLISHED, OR USED IN ANY MANNER WITHOUT THE PERMISSION OF THE ARCHITECT.

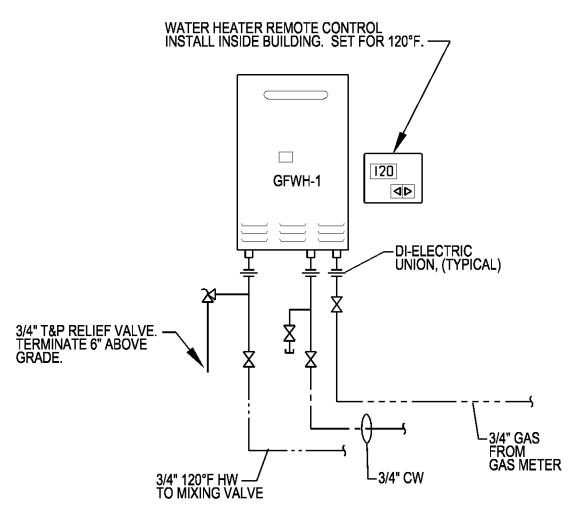
REVISIONS	
MARK	DATE

SHEET NAME
PLUMBING RISERS AND DETAILS
PROJECT NO. 2018-16
DATE SEPTEMBER 28, 2018
SHEET NO.

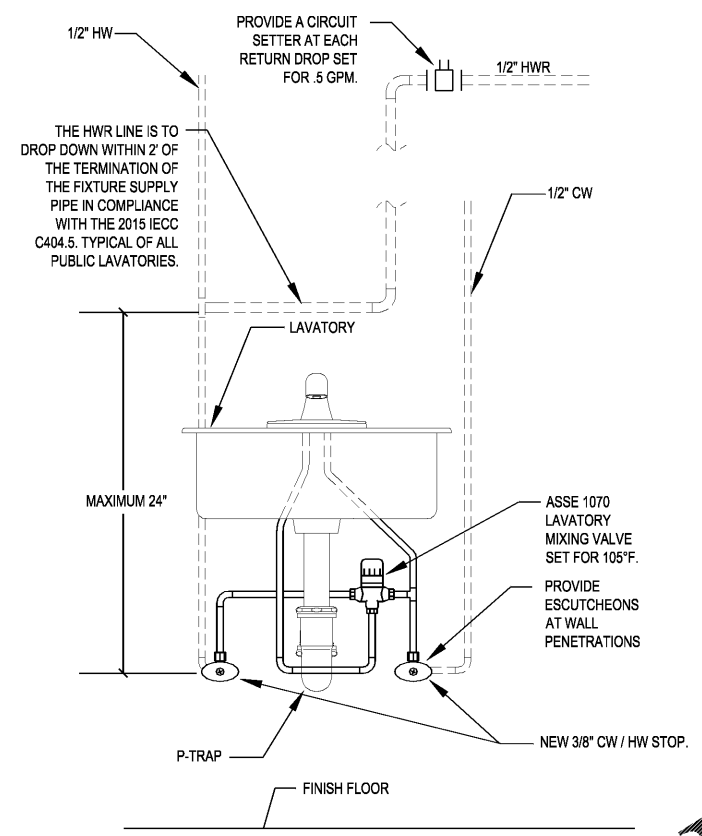
P3.0



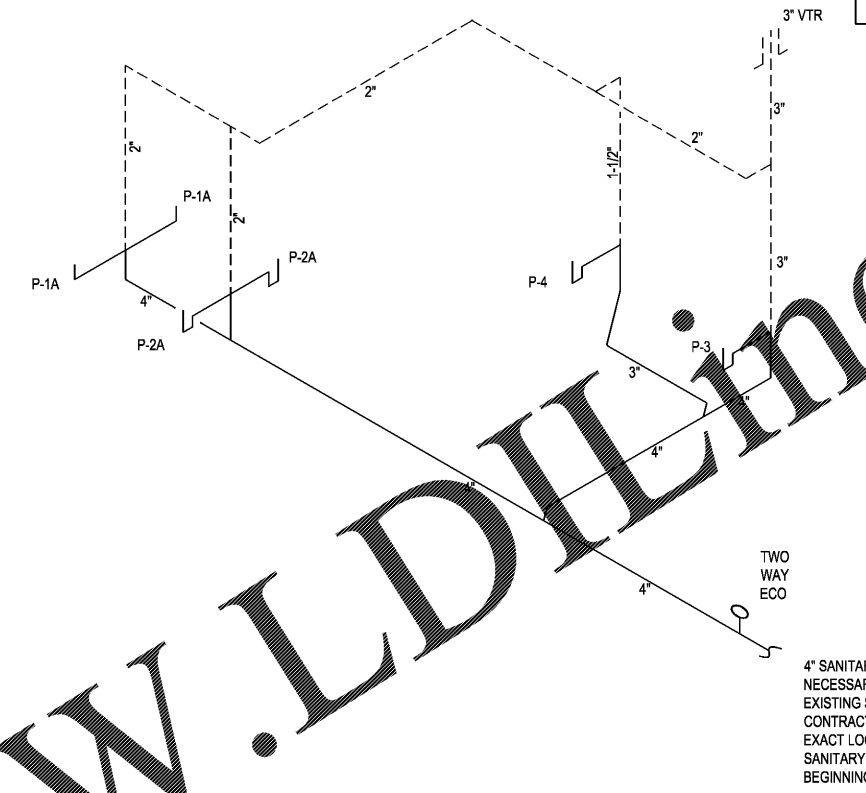
1 TWO-WAY CLEANOUT DETAIL
NOT TO SCALE



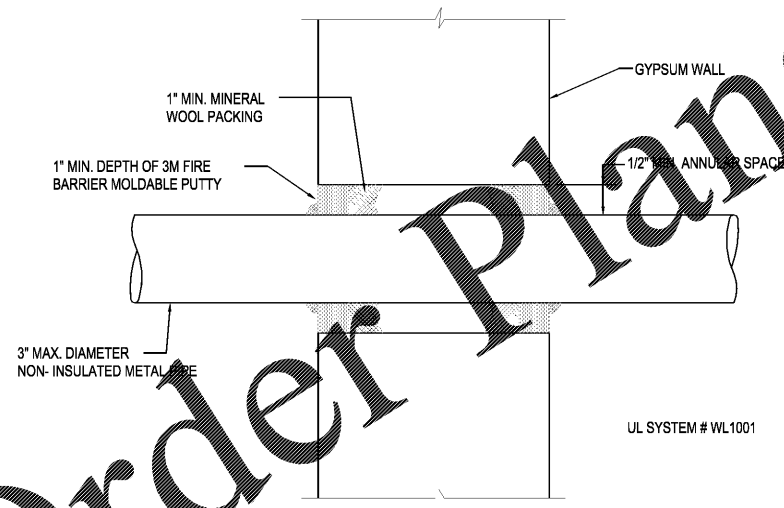
3 CONTINUOUS GAS FIRED WATER HEATER PIPING SCHEMATIC
NOT TO SCALE



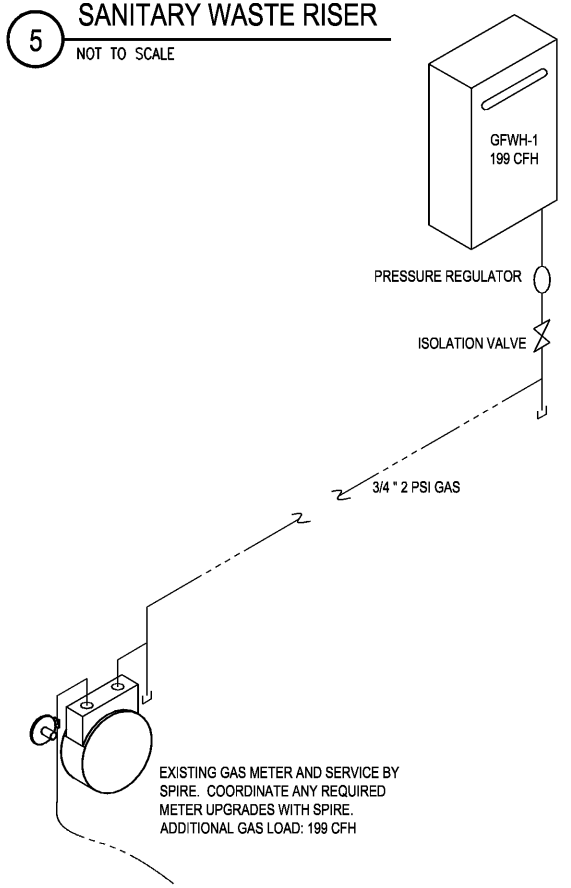
2 LAVATORY MIXING VALVE DETAIL
NOT TO SCALE



5 SANITARY WASTE RISER
NOT TO SCALE



4 TYPICAL PIPING PENETRATION DETAIL
NOT TO SCALE



6 NATURAL GAS RISER
NOT TO SCALE

Order Plans @ WWW.LDOnline.com