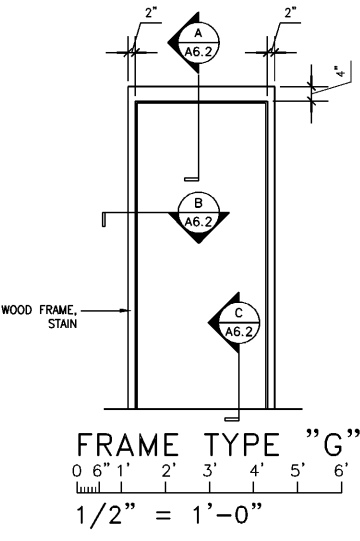
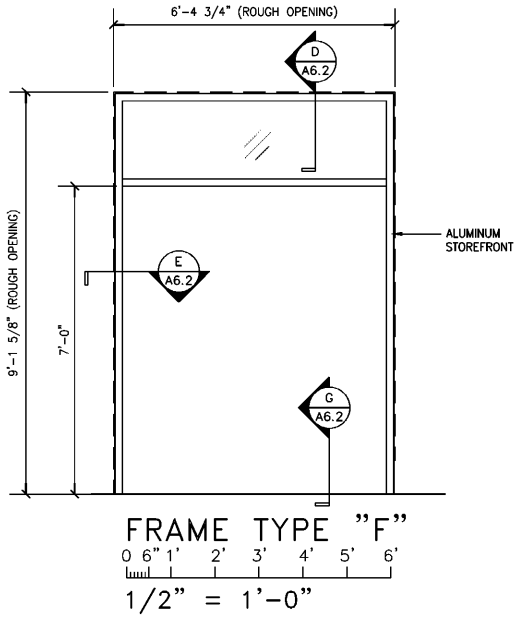
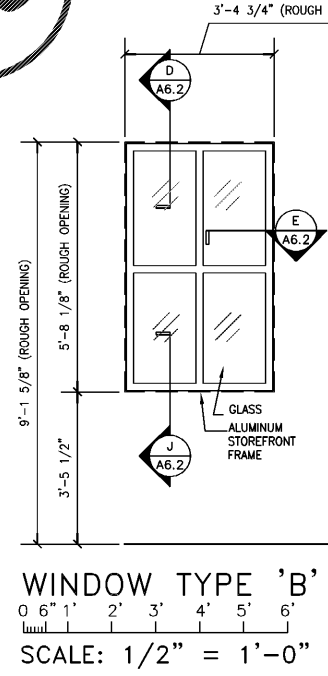
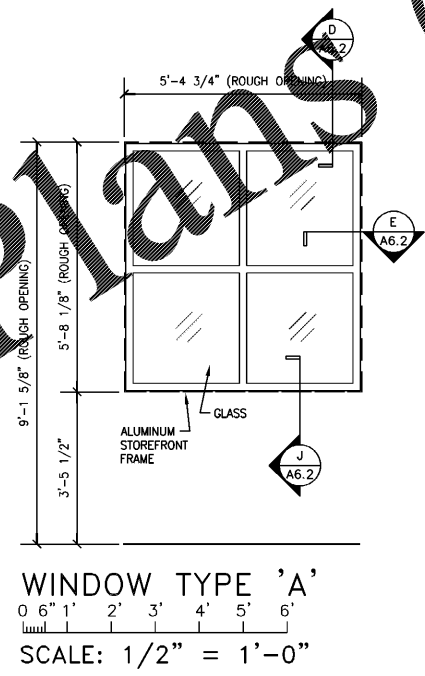
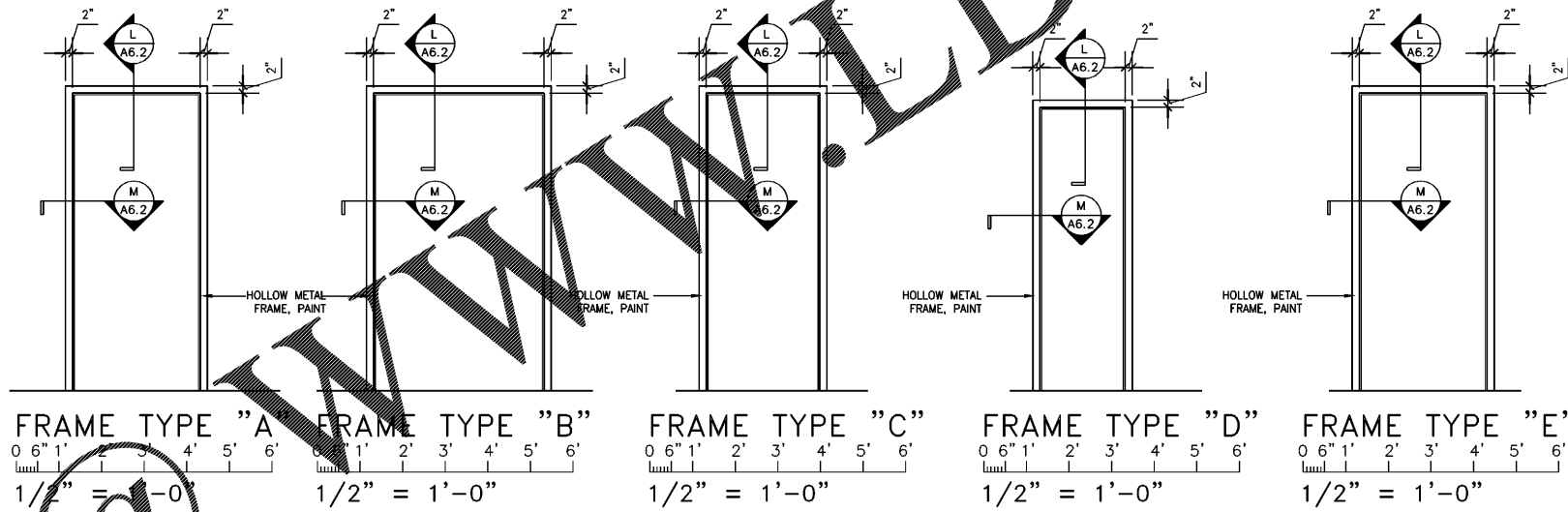
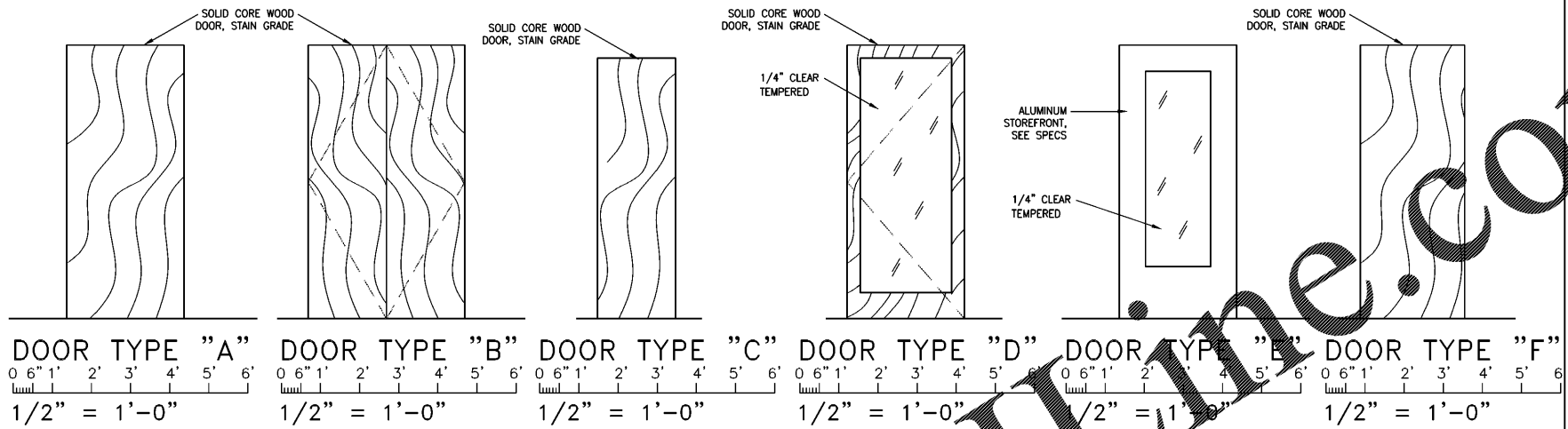


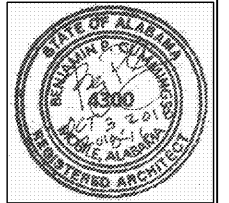
DOOR SCHEDULE									
DOOR NUMBER	DOOR TYPE	FRAME TYPE	NOMINAL OPENING SIZE	DOOR MATERIAL	FRAME MATERIAL	GLASS	RATING	HARDWARE	FRAME DEPTH
D1	E	F	PAIR OF 3' x 7'	ALUMINUM STOREFRONT	ALUMINUM STOREFRONT	SEE SPECS.		SET 1.0	
D2	A	A	3' x 7'	1 3/4" THICK, SOLID CORE, STAIN	HOLLOW METAL, PAINT			SET 7.0	5-7/8"
D3	D	A	3' x 7'	1 3/4" THICK, SOLID CORE, STAIN, GLASS PANEL	HOLLOW METAL, PAINT	SEE SPECS.		SET 4.0	5-7/8"
D4	A	A	3' x 7'	1 3/4" THICK, SOLID CORE, STAIN	HOLLOW METAL, PAINT			SET 6.0	5-7/8"
D5	D	A	3' x 7'	1 3/4" THICK, SOLID CORE, STAIN, GLASS PANEL	HOLLOW METAL, PAINT	SEE SPECS.		SET 5.0	5-7/8"
D6	A	A	3' x 7'	1 3/4" THICK, SOLID CORE, STAIN	HOLLOW METAL, PAINT			SET 6.0	5-7/8"
D7	D	A	3' x 7'	1 3/4" THICK, SOLID CORE, STAIN, GLASS PANEL	HOLLOW METAL, PAINT	SEE SPECS.		SET 9	7-7/8"
D8	D	A	3' x 7'	1 3/4" THICK, SOLID CORE, STAIN, GLASS PANEL	HOLLOW METAL, PAINT	SEE SPECS.		SET 9.0	5-7/8"
D9	D	A	3' x 7'	1 3/4" THICK, SOLID CORE, STAIN, GLASS PANEL	HOLLOW METAL, PAINT	SEE SPECS.		SET 10.0	5-7/8"
D10	A	E	3' x 7'	1 3/4" THICK, SOLID CORE, STAIN	HOLLOW METAL, PAINT			SET 3.0	5-7/8"
D11	B	B	PAIR OF 2' x 7'	1 3/4" THICK, SOLID CORE, STAIN	HOLLOW METAL, PAINT			SET 8.0	5-7/8"
D12	D	A	3' x 7'	1 3/4" THICK, SOLID CORE, STAIN, GLASS PANEL	HOLLOW METAL, PAINT	SEE SPECS.		SET 4.0	5-7/8"
D13	C	D	2' x 6'-8"	1 3/4" THICK, SOLID CORE, STAIN	HOLLOW METAL, PAINT			SET 2.0	5-7/8"
D14	D	A	3' x 7'	1 3/4" THICK, SOLID CORE, STAIN, GLASS PANEL	HOLLOW METAL, PAINT	SEE SPECS.		SET 4.0	5-7/8"
D15	D	A	3' x 7'	1 3/4" THICK, SOLID CORE, STAIN, GLASS PANEL	HOLLOW METAL, PAINT	SEE SPECS.		SET 4.0	5-7/8"
D16	D	A	3' x 7'	1 3/4" THICK, SOLID CORE, STAIN, GLASS PANEL	HOLLOW METAL, PAINT	SEE SPECS.		SET 4.0	5-7/8"
D17	F	G	2'-8" x 7'	1 3/4" THICK, SOLID CORE, STAIN	WOOD, PAINT			SET 3.0	1'-5 1/4"
D18	EX	EX	EX	EX	EX			SET 11.0	

WINDOW SCHEDULE					
WINDOW TYPE	NOMINAL SIZE	FRAME MATERIAL	GLASS	RATING	H.W. FRAME DEPTH
A	5'-4 3/4" x 6'-2 3/4"	ALUMINUM STOREFRONT	SEE SPECS.		
B	3'-4 3/4" x 6'-2 3/4"	ALUMINUM STOREFRONT	SEE SPECS.		

- DOOR SCHEDULE NOTES:
- GENERAL NOTE: VERIFY ALL ROUGH OPENINGS.
  - GENERAL NOTE: DOOR FRAMES PAINTED COLOR: SELECTED BY ARCHITECT
  - PROVIDE WEATHERSTRIPPING MATERIAL AROUND THESE DOOR FRAMES TO CREATE A MORE SOUND RESISTANT ROOM.



Order Plans



**Mulherin Custodial Home**  
**2496 Halls Mill Road**  
**Mobile, AL 36606**

THIS DRAWING AND ITS REPRODUCTIONS ARE THE PROPERTY OF THE ARCHITECT AND MAY NOT BE REPRODUCED, PUBLISHED, OR USED IN ANY MANNER WITHOUT THE PERMISSION OF THE ARCHITECT.

REVISIONS	
MARK	DATE

SHEET NAME  
**Door & Window Schedule**

PROJECT NO. 2018-16  
DATE OCTOBER 3, 2018  
SHEET NO.