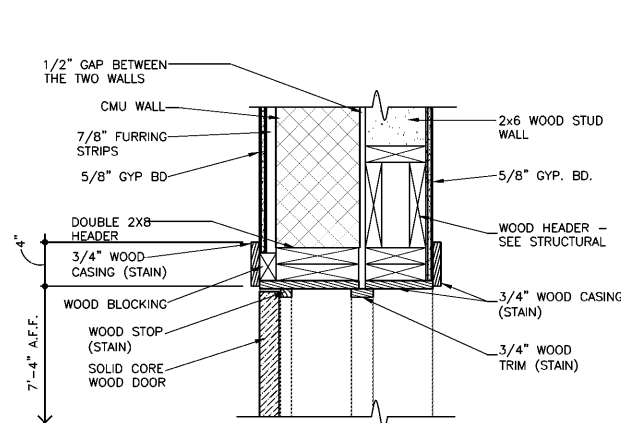


**Mulherin Custodial Home**  
**2496 Halls Mill Road**  
**Mobile, AL 36606**

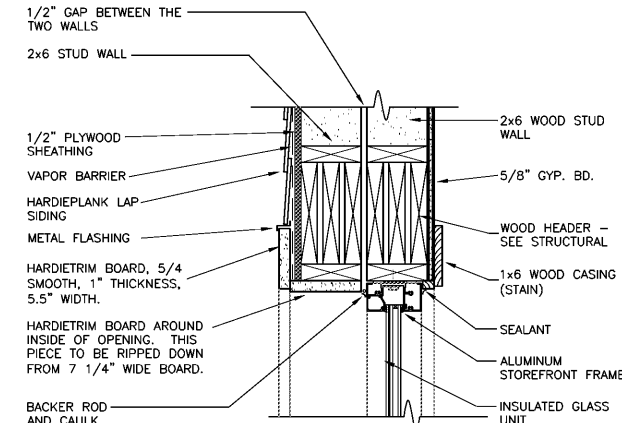
THIS DRAWING AND ITS REPRODUCTIONS ARE THE PROPERTY OF THE ARCHITECT AND MAY NOT BE REPRODUCED, PUBLISHED, OR USED IN ANY MANNER WITHOUT THE PERMISSION OF THE ARCHITECT.

REVISIONS	
MARK	DATE

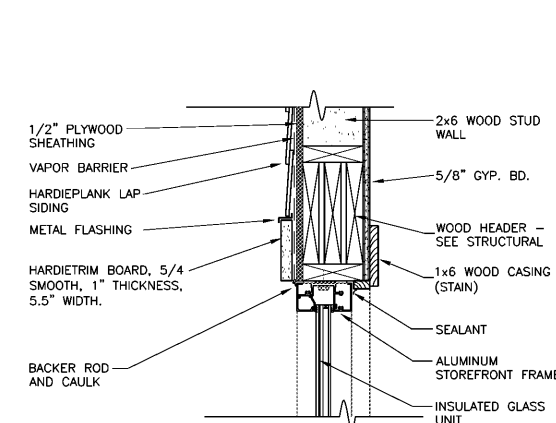
SHEET NAME  
**DOOR & WINDOW DETAILS**  
PROJECT NO. 2018-16  
DATE OCTOBER 3, 2018  
SHEET NO.



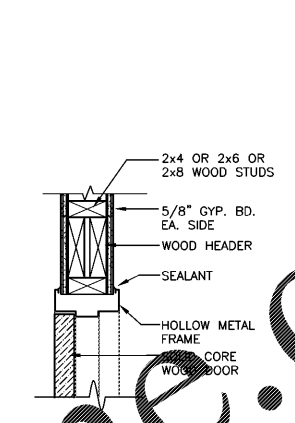
**A HEAD DETAIL**  
SCALE: 1 1/2" = 1'-0"



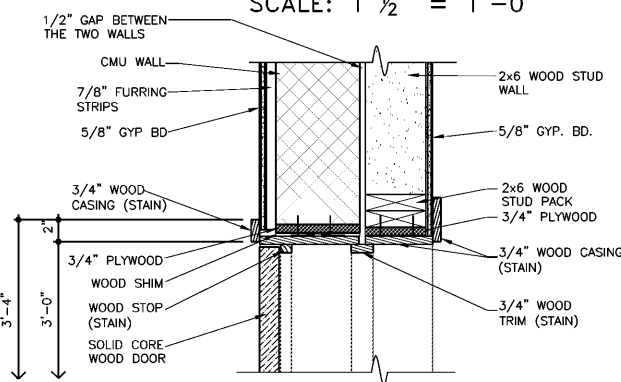
**D HEAD DETAIL**  
SCALE: 1 1/2" = 1'-0"



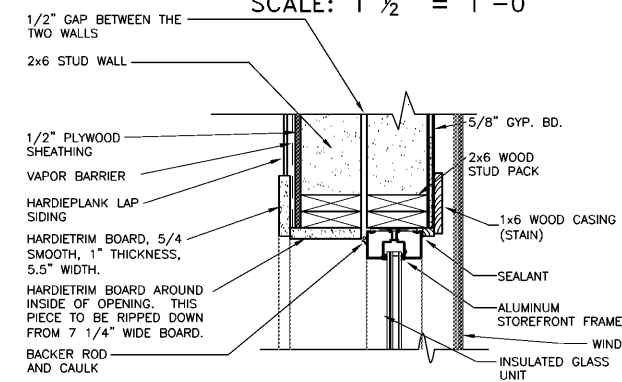
**D HEAD DETAIL**  
SCALE: 1 1/2" = 1'-0"



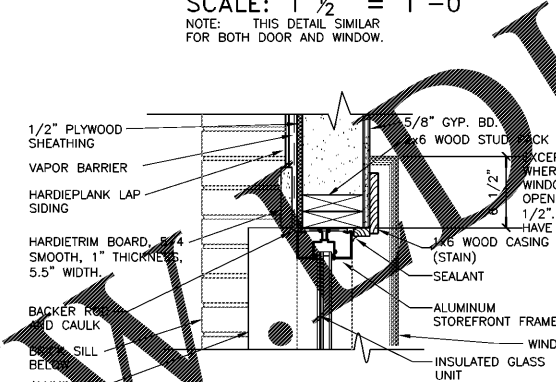
**L HEAD DETAIL**  
SCALE: 1 1/2" = 1'-0"



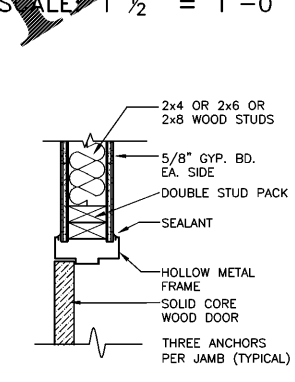
**B JAMB DETAIL**  
SCALE: 1 1/2" = 1'-0"



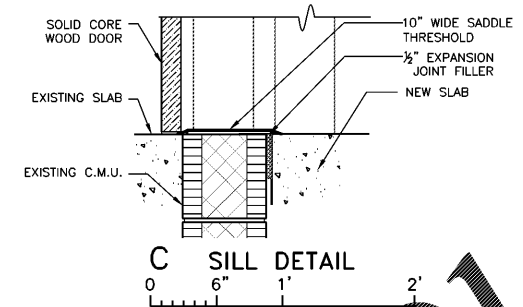
**E JAMB DETAIL**  
SCALE: 1 1/2" = 1'-0"



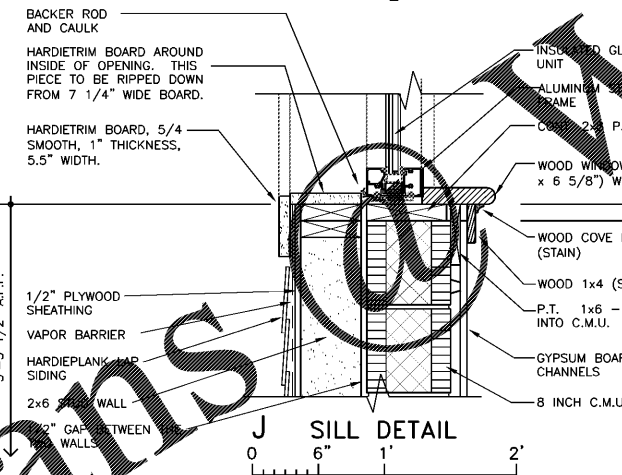
**E JAMB DETAIL**  
SCALE: 1 1/2" = 1'-0"



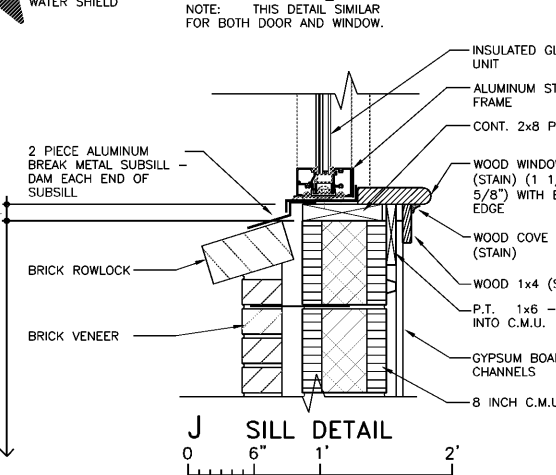
**M JAMB DETAIL**  
SCALE: 1 1/2" = 1'-0"



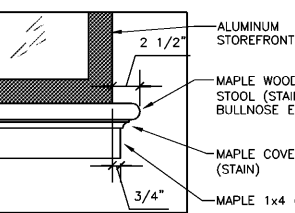
**C SILL DETAIL**  
SCALE: 1 1/2" = 1'-0"



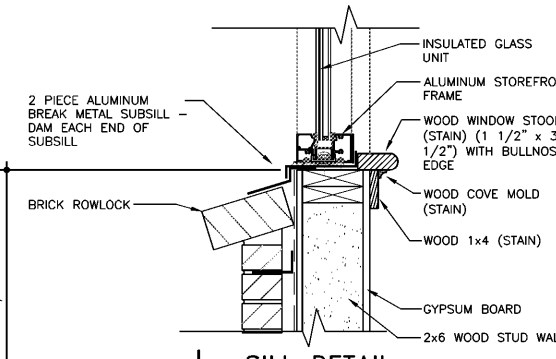
**J SILL DETAIL**  
SCALE: 1 1/2" = 1'-0"



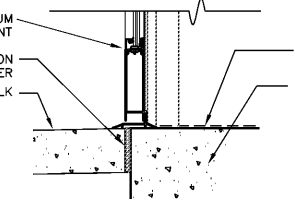
**J SILL DETAIL**  
SCALE: 1 1/2" = 1'-0"



**K WOOD STOOL ELEVATION**  
SCALE: 1 1/2" = 1'-0"



**J SILL DETAIL**  
SCALE: 1 1/2" = 1'-0"



**G SILL DETAIL**  
SCALE: 1 1/2" = 1'-0"

Order Plans

WWW.ONLINE.COM