

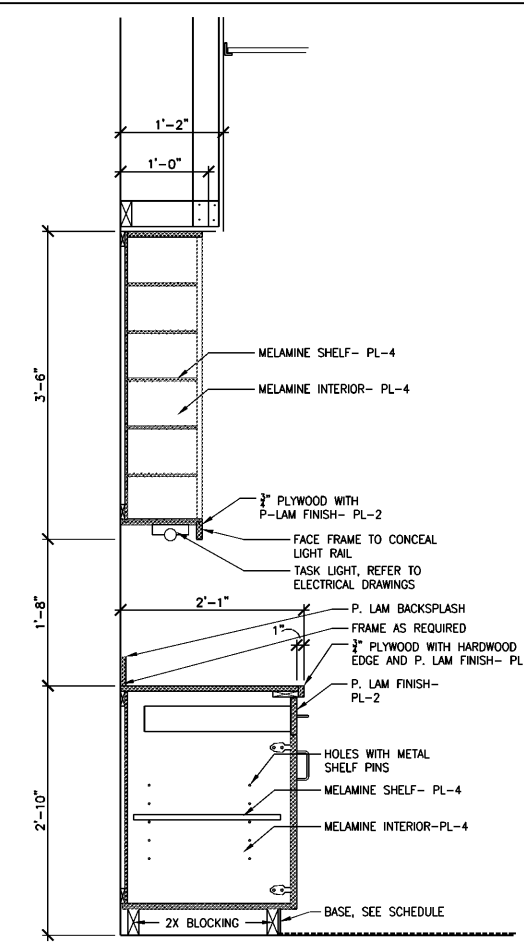
Mulherin Custodial Home
2496 Halls Mill Road
Mobile, AL 36606

THIS DRAWING AND ITS REPRODUCTIONS ARE THE PROPERTY OF THE ARCHITECT AND MAY NOT BE REPRODUCED, PUBLISHED, OR USED IN ANY MANNER WITHOUT THE PERMISSION OF THE ARCHITECT.

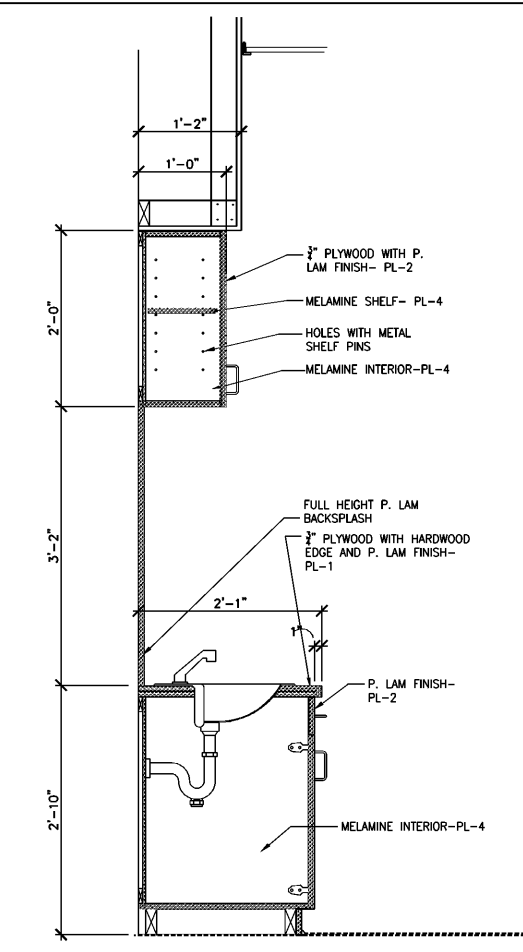
REVISIONS	
MARK	DATE

SHEET NAME
Casework Sections

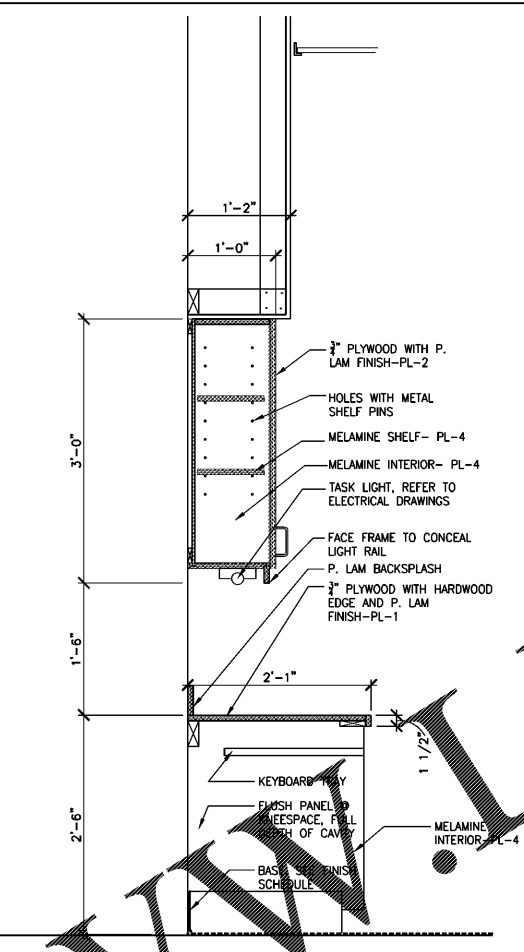
PROJECT NO. 2018-16
DATE OCTOBER 3, 2018
SHEET NO.



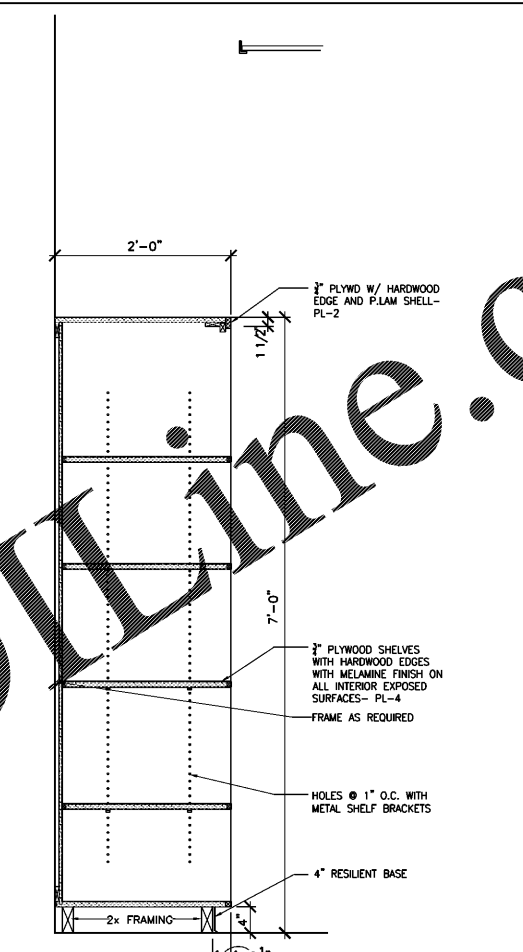
A SECTION DETAIL
SCALE: 1" = 1'-0"



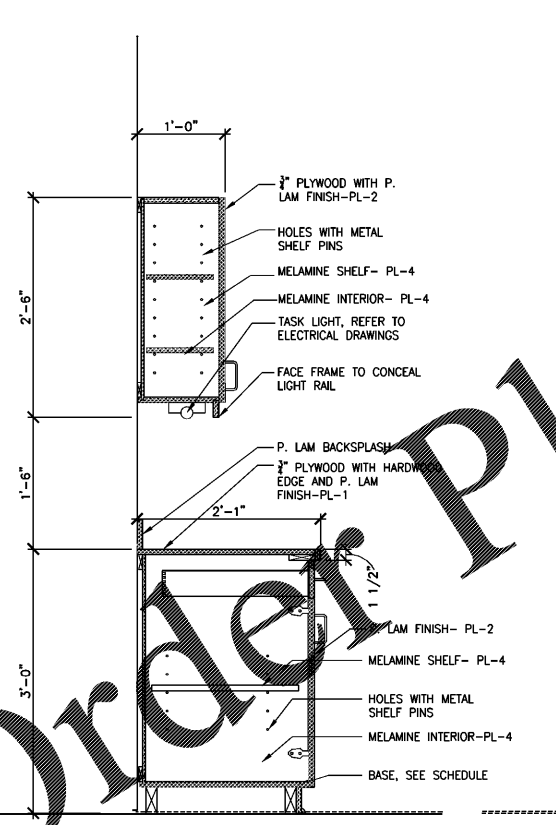
B SECTION DETAIL
SCALE: 1" = 1'-0"



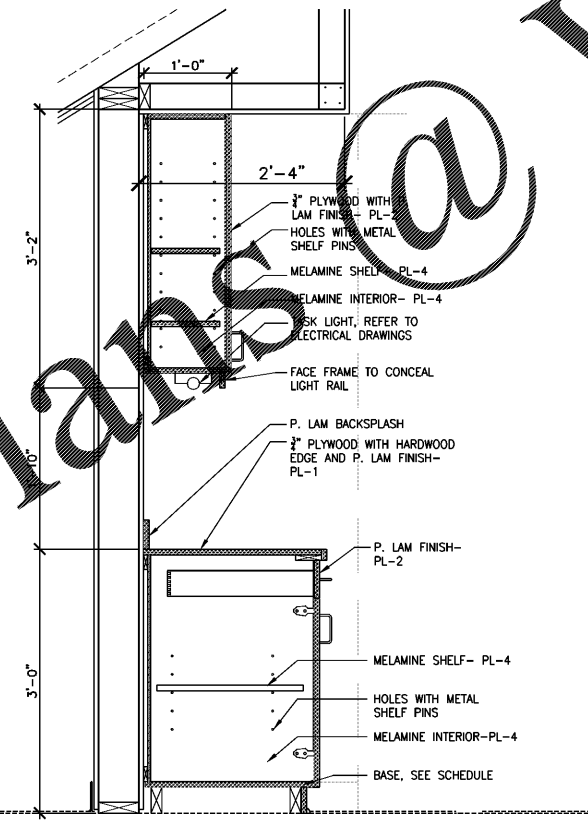
C SECTION DETAIL
SCALE: 1" = 1'-0"



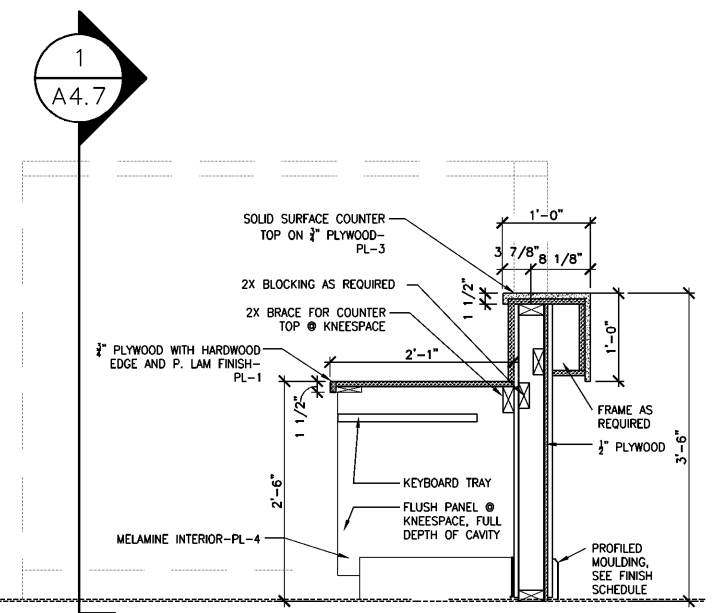
D SECTION DETAIL
SCALE: 1" = 1'-0"



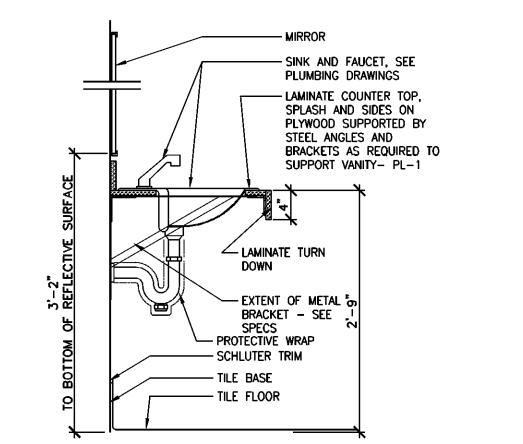
E SECTION DETAIL
SCALE: 1" = 1'-0"



F SECTION DETAIL
SCALE: 1" = 1'-0"



G SECTION DETAIL
SCALE: 1" = 1'-0"



H SECTION DETAIL
SCALE: 1" = 1'-0"

1
A4.7

Order Plans @ www.LDOnline.com