



CUMMINGS ARCHITECTURE
CORP

1000 Housley Street
Mobile, Alabama 36606
TEL: 251.433.9600

PRELIMINARY
NOT FOR CONSTRUCTION
PRELIMINARY

Mulherin Custodial Home
2496 Halls Mill Road
Mobile, AL 36606

THIS DRAWING AND ITS REPRODUCTIONS ARE THE PROPERTY OF THE ARCHITECT AND MAY NOT BE REPRODUCED, PUBLISHED, OR USED IN ANY MANNER WITHOUT THE PERMISSION OF THE ARCHITECT.

REVISIONS	
MARK	DATE

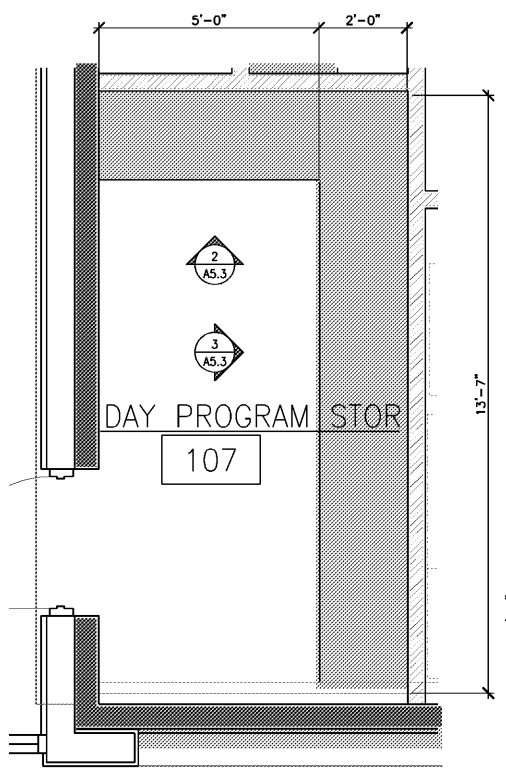
SHEET NAME
Interior Elevations

PROJECT NO. 2018-16
DATE OCTOBER 3, 2018
SHEET NO.

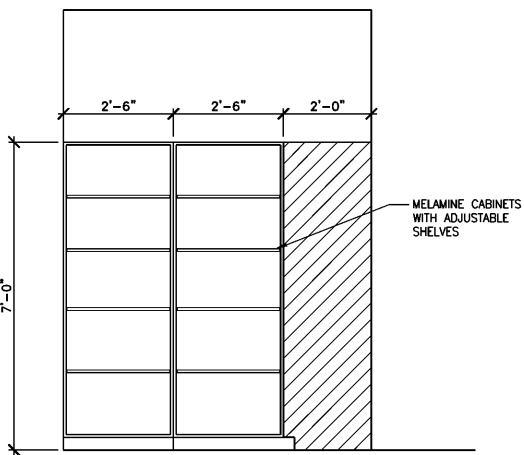
A5.3

TOILET ACCESSORY SCHEDULE	
1 PAPER TOWEL DISPENSER: BRADLEY CORP. MODEL #2442 (2) REQUIRED.	4 GRAB BARS BRADLEY CORP. MODEL #8120 X 42" (2) REQUIRED.
2 TOILET TISSUE DISPENSER: BRADLEY CORP. MODEL #5234 (2) REQUIRED.	5 LIQUID SOAP DISPENSER BRADLEY CORP. MODEL #6A01-11 (2) REQUIRED.
3 MIRRORS 18x36 BRADLEY CORP. MODEL #781 (2) REQUIRED.	
4 GRAB BARS BRADLEY CORP. MODEL #8120 X 18" (2) REQUIRED.	
5 GRAB BARS BRADLEY CORP. MODEL #8120 X 36" (2) REQUIRED.	

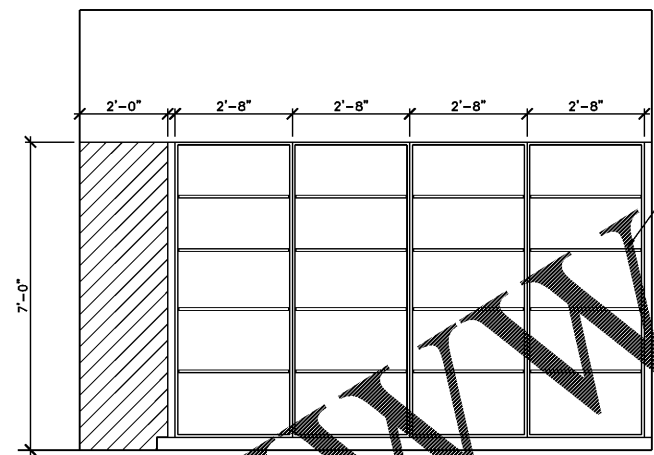
PROVIDE BLOCKING WITHIN WALLS AS REQUIRED FOR MOUNTING OF ACCESSORIES.



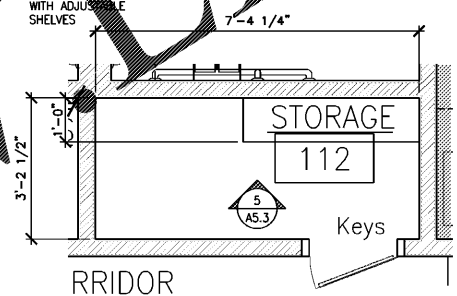
1 ENLARGED PLAN
SCALE: 1/2" = 1'-0"



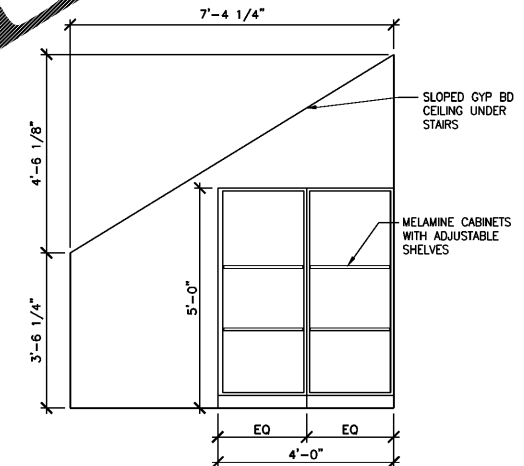
2 INTERIOR ELEVATION
SCALE: 1/2" = 1'-0"



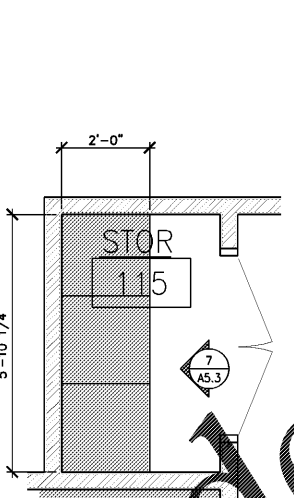
3 INTERIOR ELEVATION
SCALE: 1/2" = 1'-0"



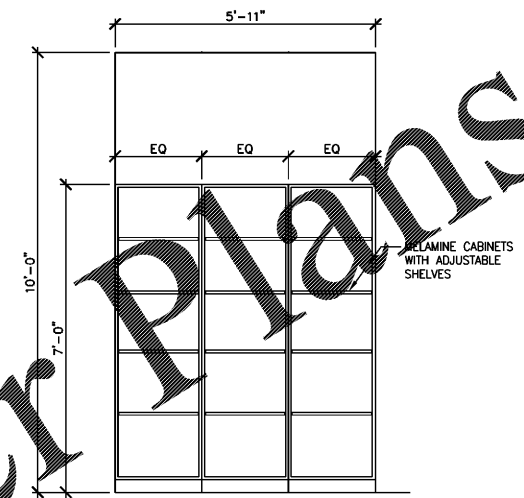
4 ENLARGED PLAN
SCALE: 1/2" = 1'-0"



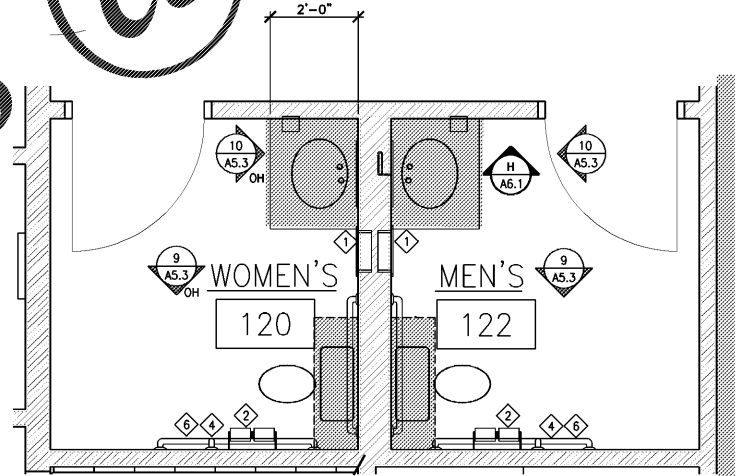
5 INTERIOR ELEVATION
SCALE: 1/2" = 1'-0"



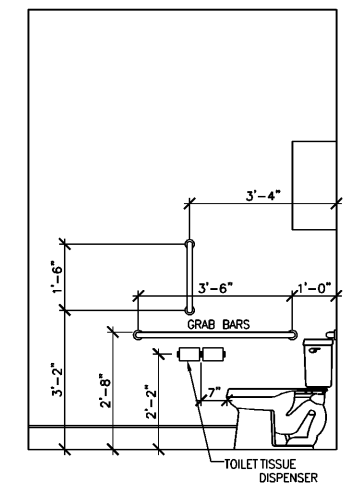
6 ENLARGED PLAN
SCALE: 1/2" = 1'-0"



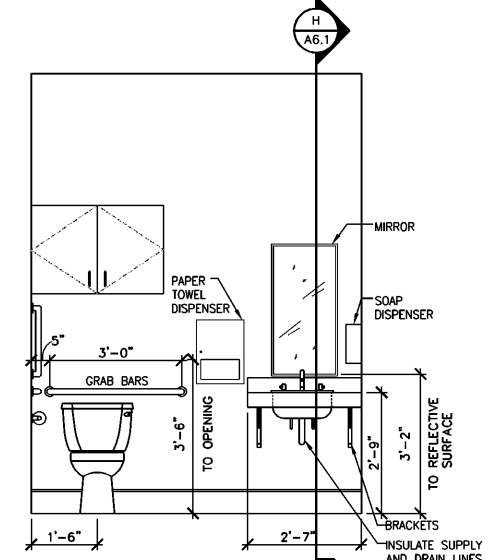
7 INTERIOR ELEVATION
SCALE: 1/2" = 1'-0"



8 ENLARGED PLAN
SCALE: 1/2" = 1'-0"



9 INTERIOR ELEVATION
SCALE: 1/2" = 1'-0"



10 INTERIOR ELEVATION
SCALE: 1/2" = 1'-0"