



CUMMINGS ARCHITECTURE CORP

1000 Housley Street  
Mobile, Alabama 36606  
TEL: 251.433.9600

PRELIMINARY  
NOT FOR CONSTRUCTION  
PRELIMINARY

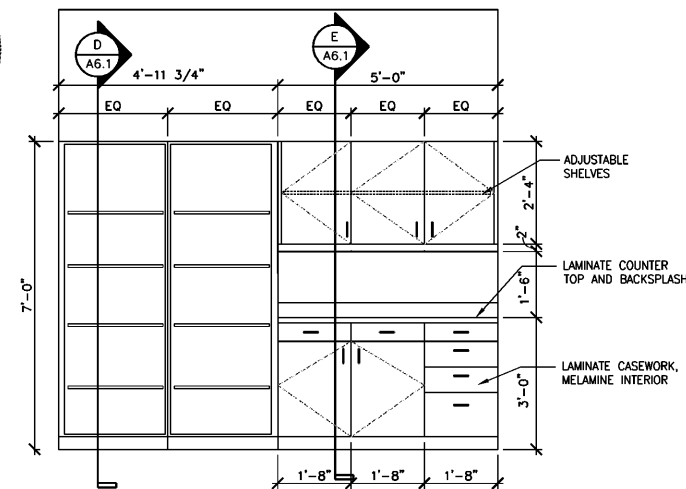
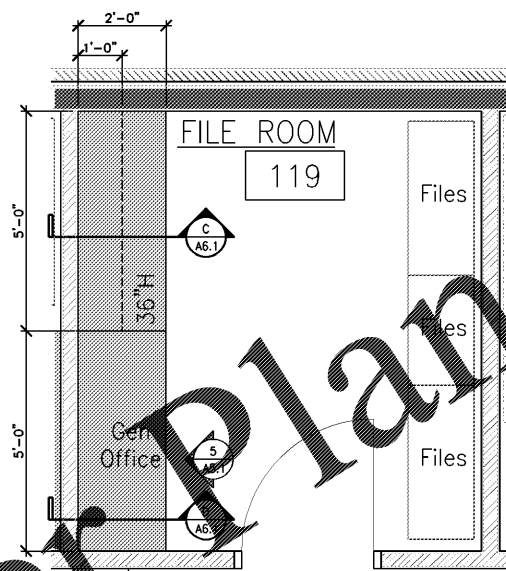
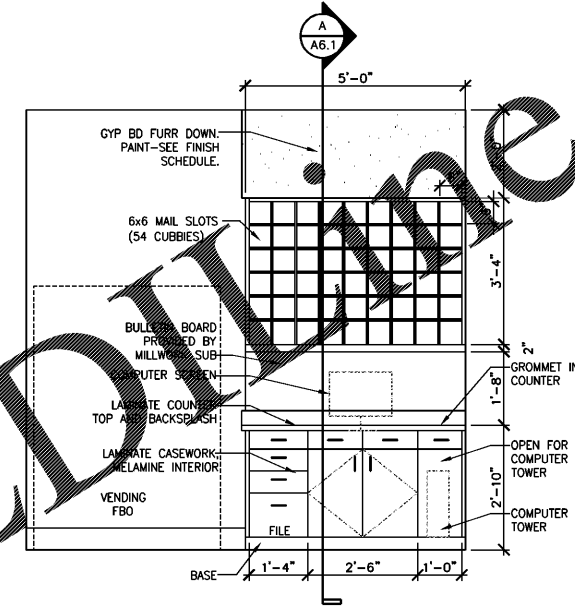
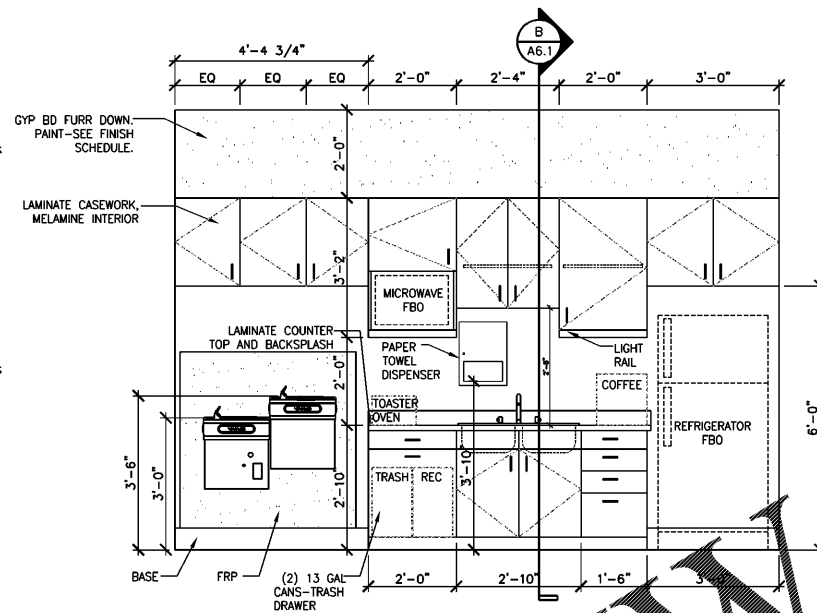
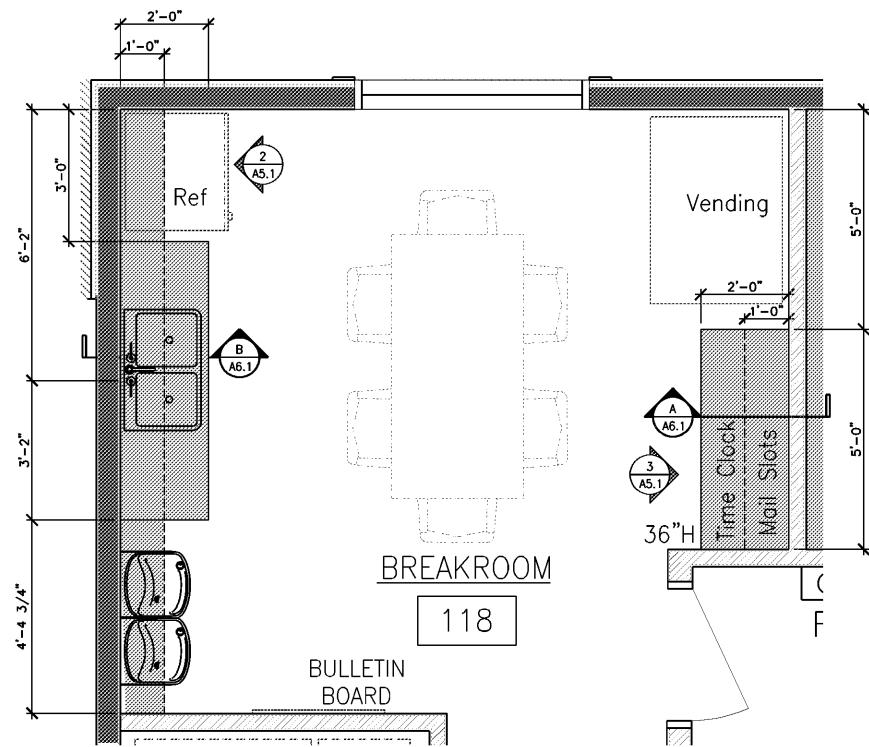
Mulherin Custodial Home  
2496 Halls Mill Road  
Mobile, AL 36606

THIS DRAWING AND ITS REPRODUCTIONS ARE THE PROPERTY OF THE ARCHITECT AND MAY NOT BE REPRODUCED, PUBLISHED, OR USED IN ANY MANNER WITHOUT THE PERMISSION OF THE ARCHITECT.

REVISIONS	
MARK	DATE

SHEET NAME  
**Interior Elevations**  
PROJECT NO. 2018-16  
DATE OCTOBER 3, 2018  
SHEET NO.

A5.1



Order Plans @ WWW.LDOnline.com