

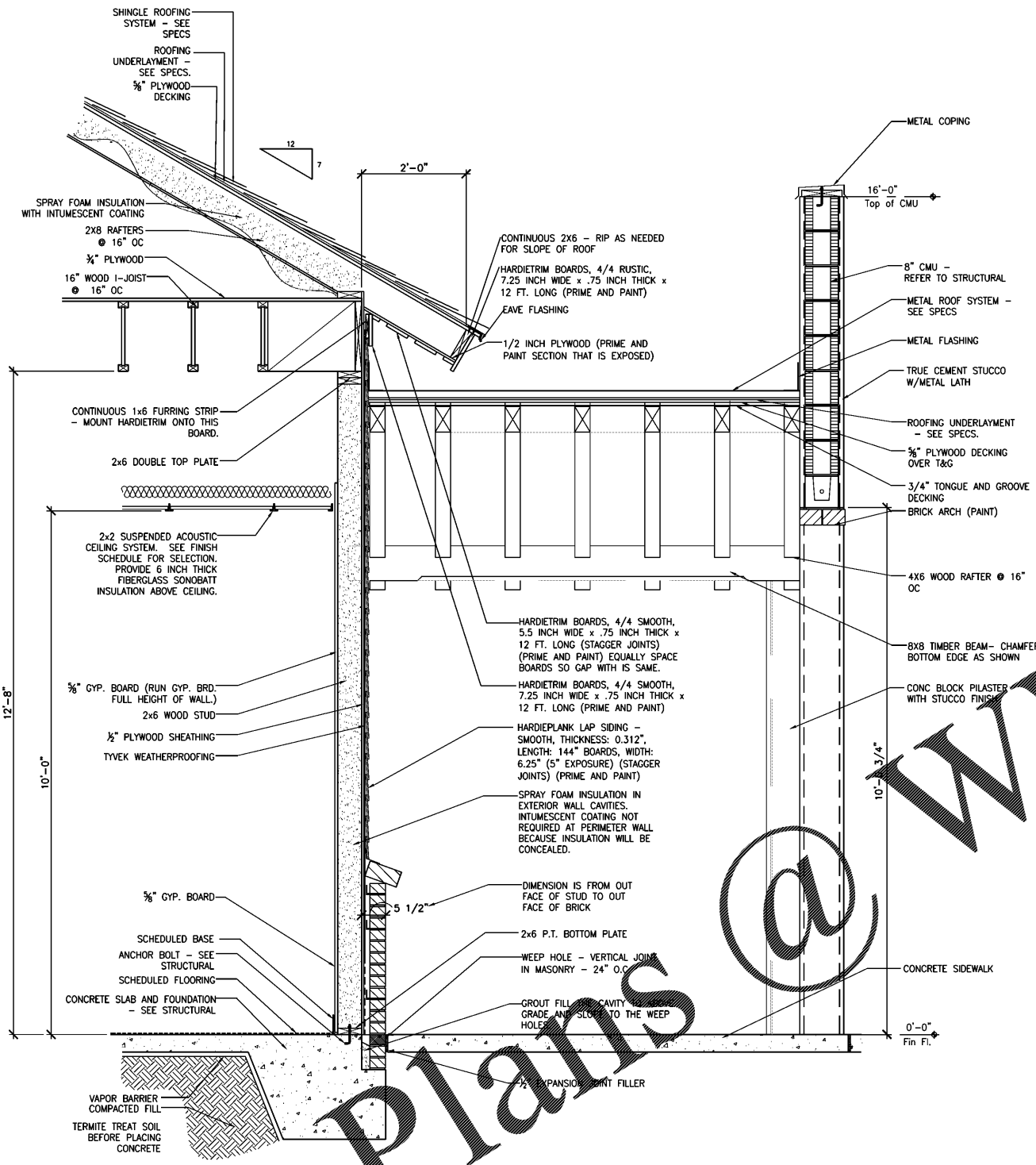
Mulherin Custodial Home
2496 Halls Mill Road
Mobile, AL 36606

THIS DRAWING AND ITS REPRODUCTIONS ARE THE PROPERTY OF THE ARCHITECT AND MAY NOT BE REPRODUCED, PUBLISHED, OR USED IN ANY MANNER WITHOUT THE PERMISSION OF THE ARCHITECT.

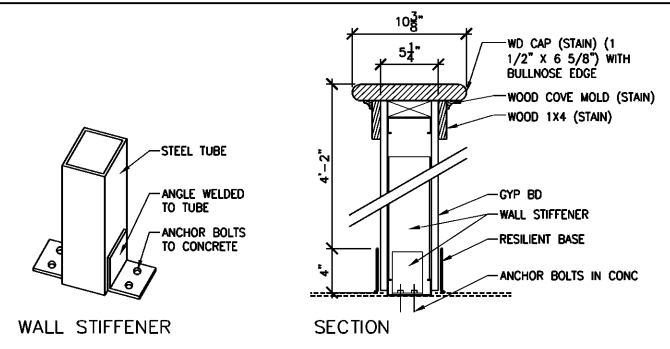
REVISIONS	
MARK	DATE

SHEET NAME
Wall Sections

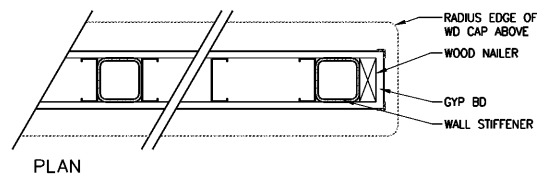
PROJECT NO. 2018-16
DATE OCTOBER 3, 2018
SHEET NO.



A WALL SECTION
SCALE: 3/4" = 1'-0"

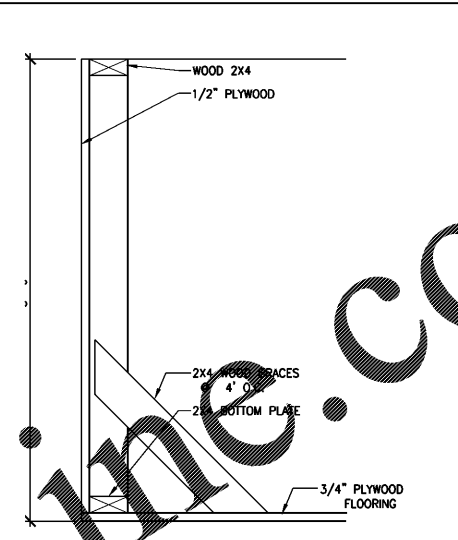


WALL STIFFENER



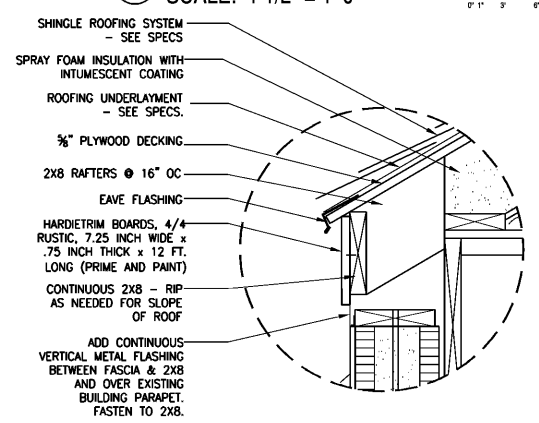
PLAN

1 RECEPTION LOW WALL
SCALE: 1 1/2" = 1'-0"

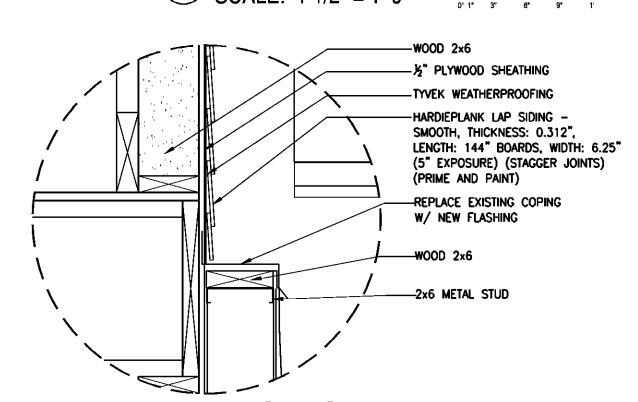


2 ATTIC LOW WALL
SCALE: 1 1/2" = 1'-0"

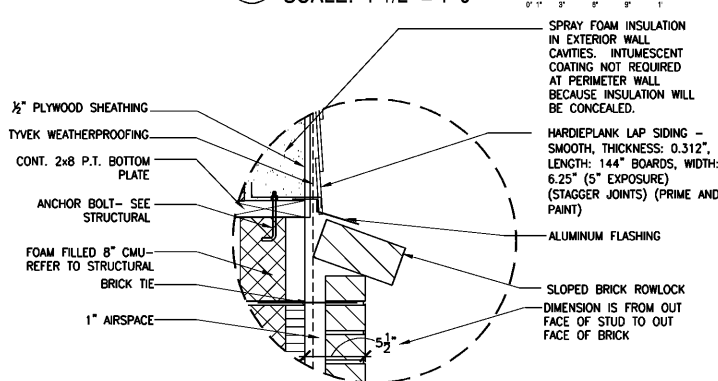
3 EXISTING PARAPET AT NEW WALL
SCALE: 1 1/2" = 1'-0"



4 NEW PARAPET
SCALE: 1 1/2" = 1'-0"



5 EAVE AT BACK WALL
SCALE: 1 1/2" = 1'-0"



7 BRICK WALL
SCALE: 1 1/2" = 1'-0"

Order Plans @ WWW.WALLDOLLARS.COM