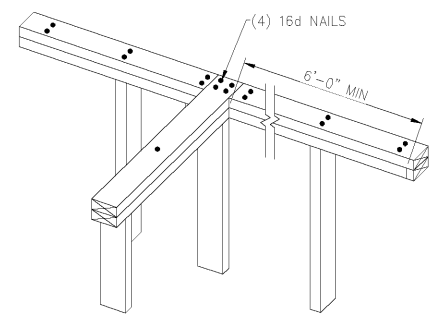


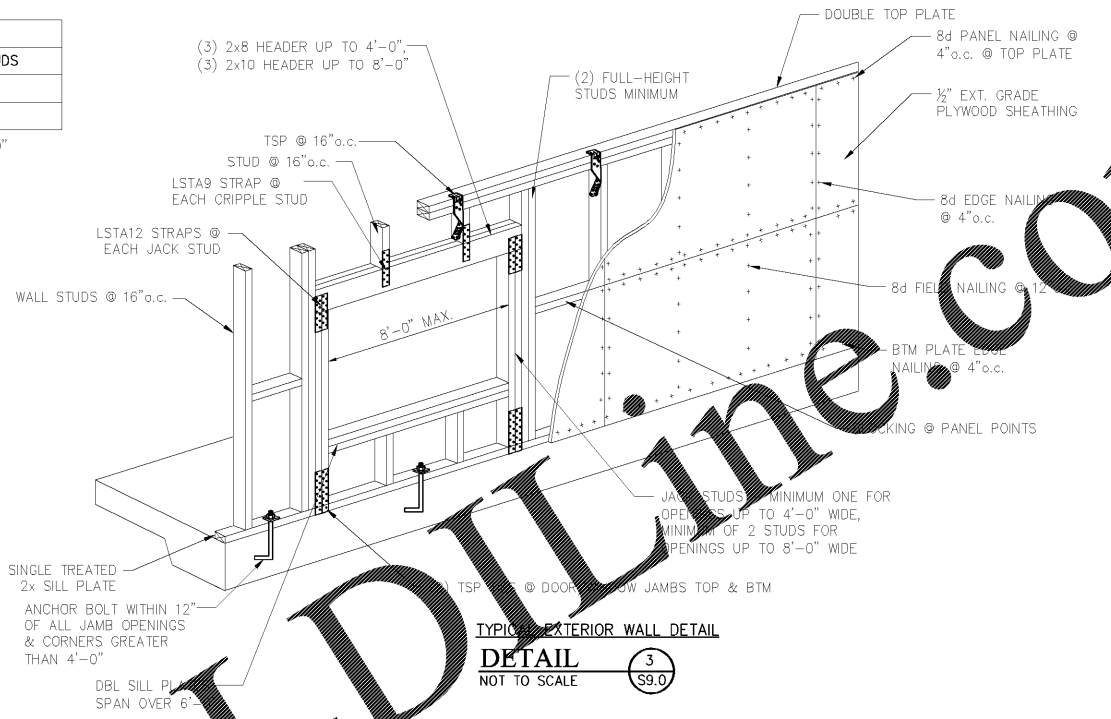
ROOF COLLAR SECTION
SECTION 1
 SCALE: 3/4"=1'-0" (S9.0)

INTERIOR WALL HEADERS		
SPAN	HEADER	JACK STUDS
<4'-0"	(2) 2x8	1
4'-8"	(2) 2x10	2

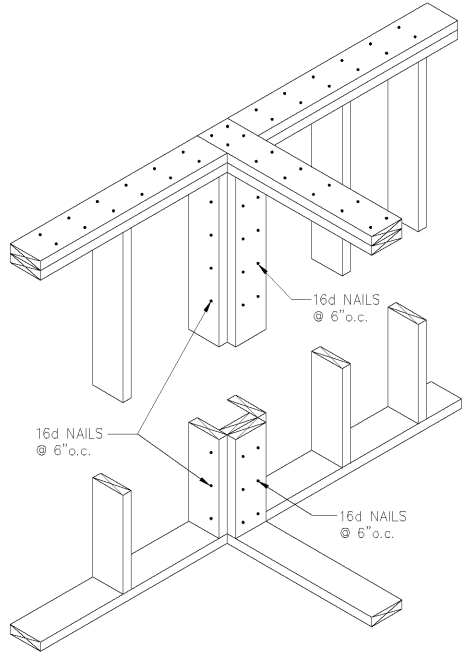
**REF PLAN FOR SPANS GREATER THAN 8'-0"



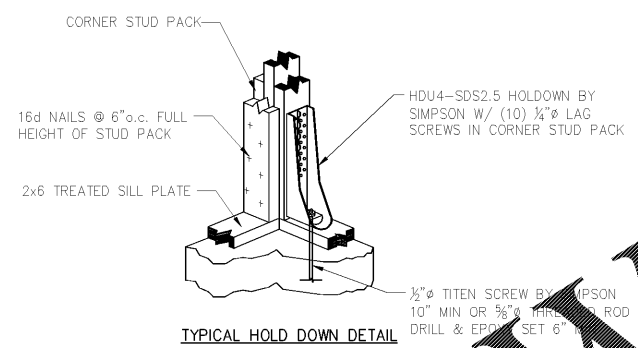
TOP PLATE INTERSECTION DETAIL
DETAIL 2
 NOT TO SCALE (S9.0)



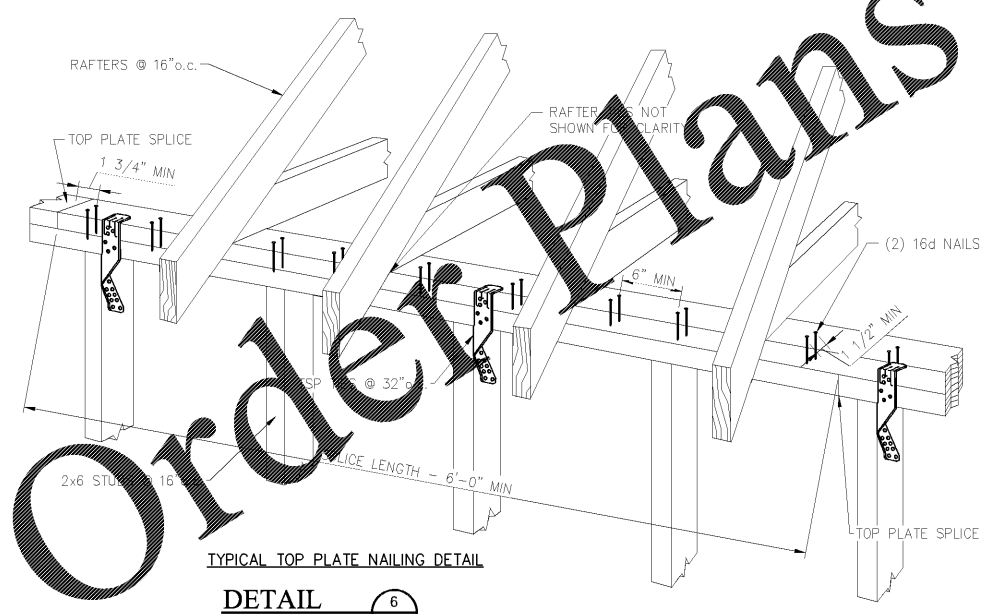
TYPICAL EXTERIOR WALL DETAIL
DETAIL 3
 NOT TO SCALE (S9.0)



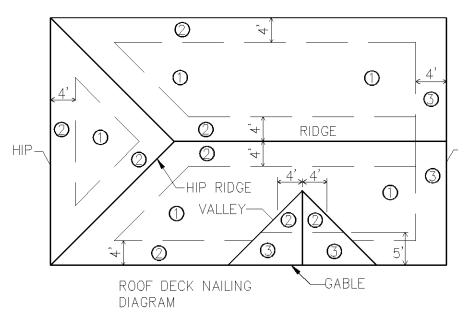
TOP & BTM PLATE INTERSECTION DETAIL
DETAIL 4
 NOT TO SCALE (S9.0)



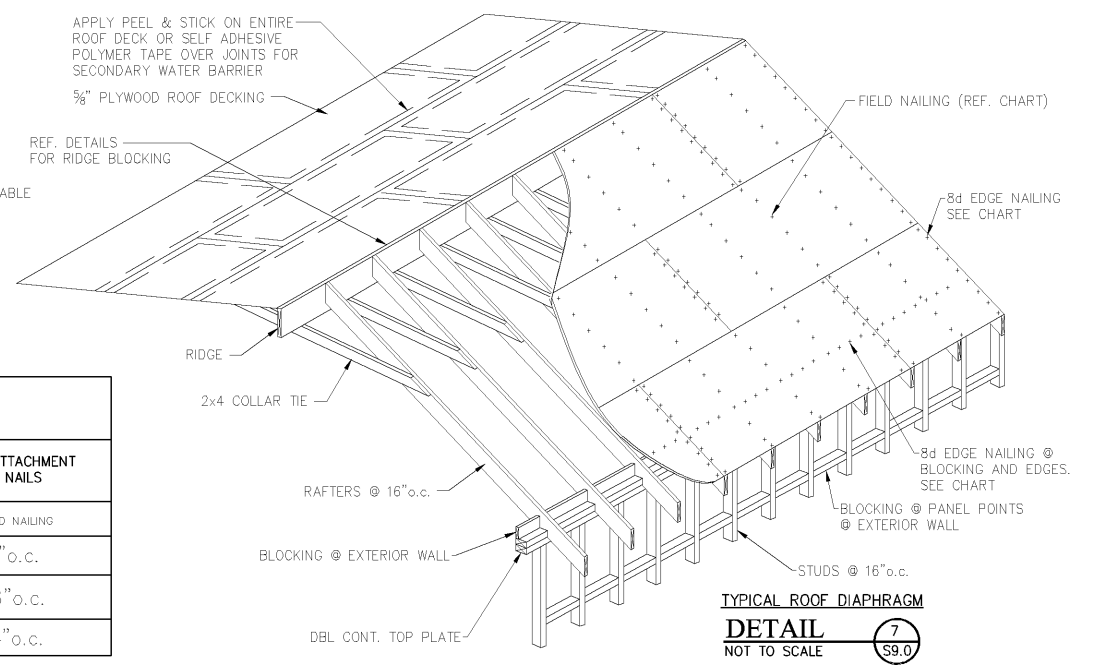
TYPICAL HOLD DOWN DETAIL
DETAIL 5
 NOT TO SCALE (S9.0)



TYPICAL TOP PLATE NAILING DETAIL
DETAIL 6
 NOT TO SCALE (S9.0)



ROOF SHEATHING ATTACHMENT REQUIREMENTS				
THREE SECOND GUST, 123 MPH (ASD) 159 MPH (ULT) WIND SPEED		STRUCTURAL SHEATHING ATTACHMENT WITH 8d RING SHANK NAILS		
	RAFTER/TRUSS SPACING (INCHES o.c.)	EDGE NAILING	FIELD NAILING	
1	INTERIOR ZONE	16" o.c.	6" o.c.	6" o.c.
2	PERIMETER/EDGE ZONE	16" o.c.	4" o.c.	6" o.c.
3	GABLE ENDWALL RAKE OR RAKE TRUSS W/LOOKOUTBLOCK	16" o.c.	4" o.c.	4" o.c.



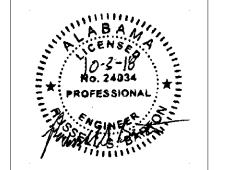
TYPICAL ROOF DIAPHRAGM DETAIL
DETAIL 7
 NOT TO SCALE (S9.0)

Order Plans @

WWW.LDLINE.COM

BARTON & SHUMER ENGINEERING, LLC
 3213 MIDTOWN PARK SOUTH
 MOBILE, AL 36606
 PHONE: 251-219-4942

SECTIONS AND DETAILS
MULHERIN CUSTODIAL HOME
 2496 HALLS MILL ROAD
 MOBILE, ALABAMA



FOR PERMIT
 REVISIONS:
 DRAWN BY: DRB
 DESIGNED BY: CHE
 DATE: 03 OCT 2018 SHEET S9.0
 18262