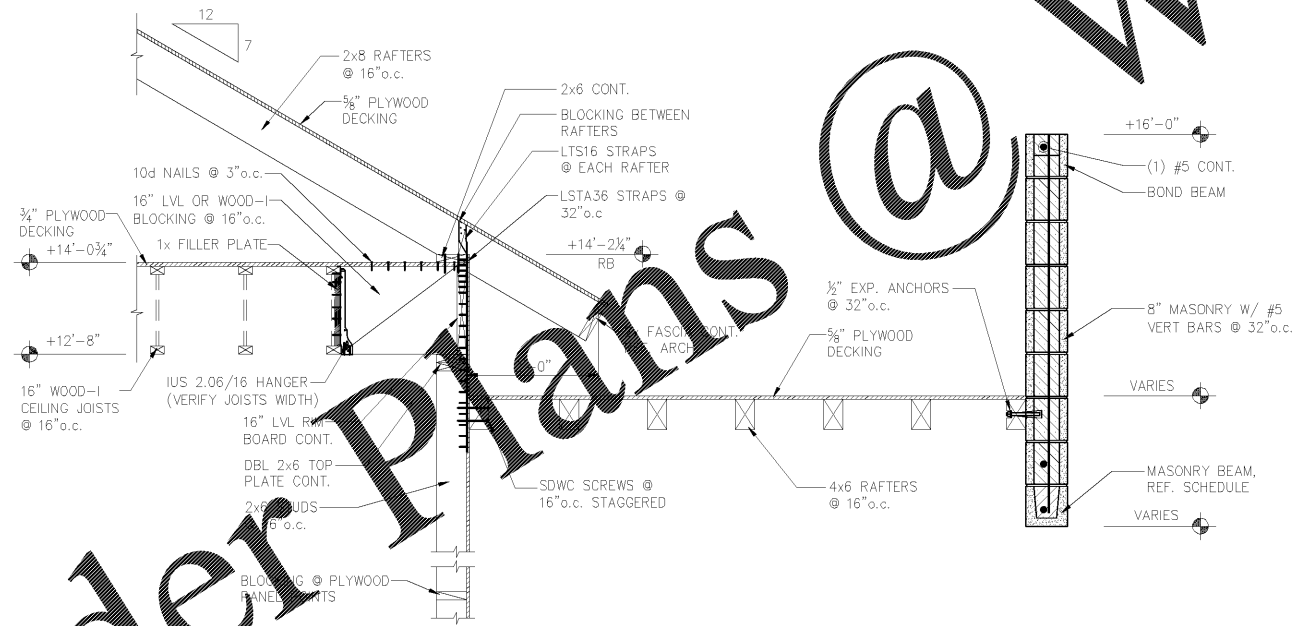
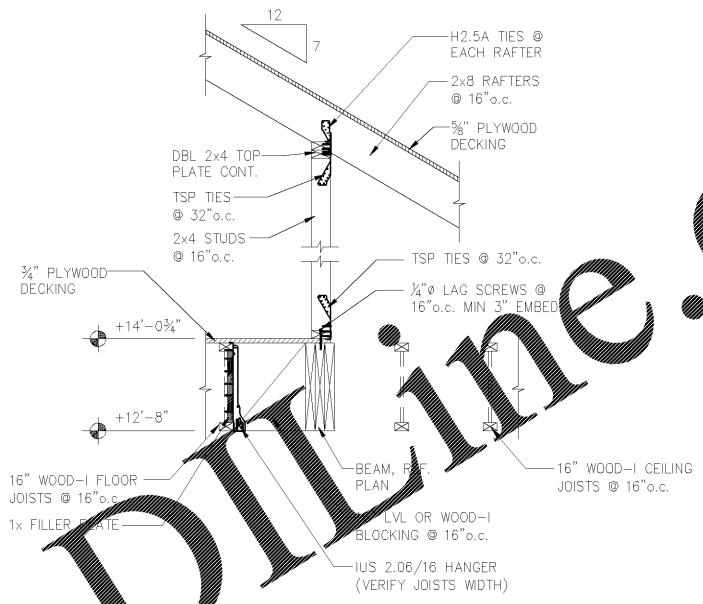


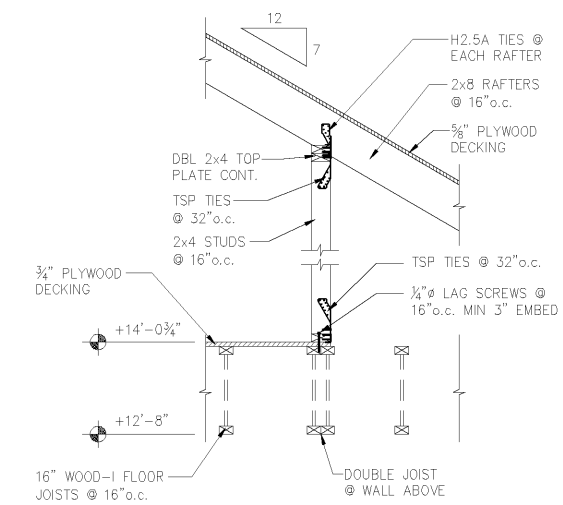
ROOF FRAMING  
SECTION 1  
SCALE: 3/4"=1'-0" (S8.0)



ROOF FRAMING  
SECTION 3  
SCALE: 3/4"=1'-0" (S8.0)



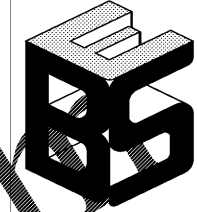
ROOF FRAMING  
SECTION 2  
SCALE: 3/4"=1'-0" (S8.0)



ROOF FRAMING  
SECTION 4  
SCALE: 3/4"=1'-0" (S8.0)

Order Plans @

WWW.LDIDLINE.COM



**BARTON & SHUMER  
ENGINEERING, LLC**  
3213 MIDTOWN PARK SOUTH  
MOBILE, AL 36606  
PHONE: 251-219-4942

**SECTIONS AND DETAILS  
MULHERIN CUSTODIAL HOME**  
2496 HALLS MILL ROAD  
MOBILE, ALABAMA

LOCATION:



FOR PERMIT  
REVISIONS:

DRAWN BY: DRB  
DESIGNED BY: CHE

DATE: 03 OCT 2018  
SHEET S8.0

18262