

**BARTON & SHUMER
ENGINEERING, LLC**

3213 MIDTOWN PARK SOUTH
MOBILE, AL 36606
PHONE: 251-219-4942

**SECTIONS AND DETAILS
MULHERIN CUSTODIAL HOME**

2496 HALLS MILL ROAD
MOBILE, ALABAMA

LOCATION:



FOR PERMIT

REVISIONS:

DRAWN BY: DRB

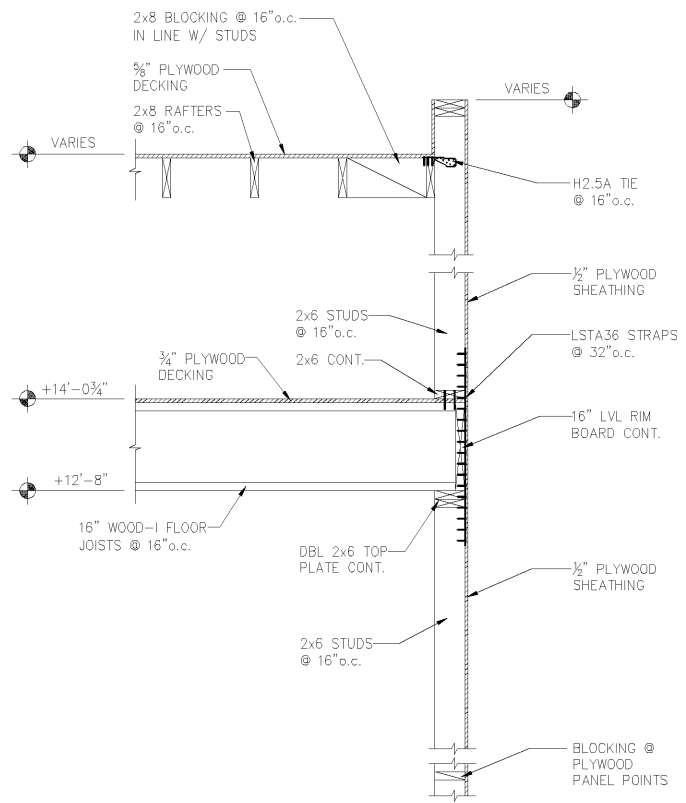
DESIGNED BY: CHE

DATE:
03 OCT 2018

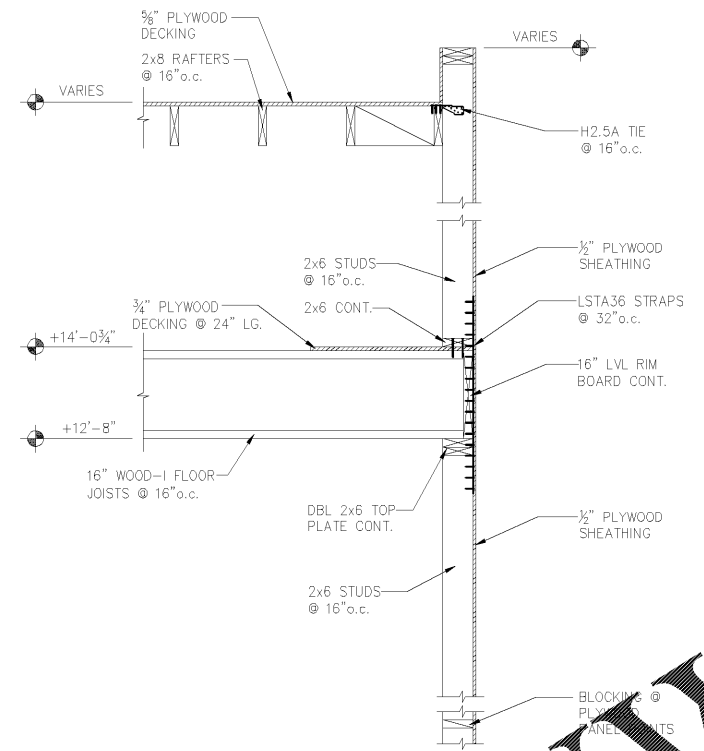
SHEET

S7.0

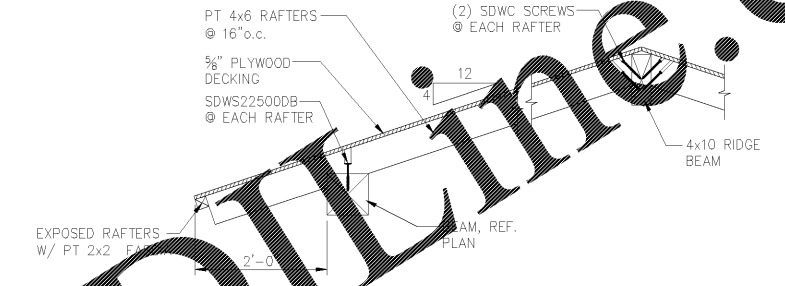
18262



GABLE FRAMING
SECTION 1
SCALE: 3/4"=1'-0" (S7.0)



GABLE FRAMING
SECTION 2
SCALE: 3/4"=1'-0" (S7.0)



ROOF FRAMING
SECTION 3
SCALE: 3/4"=1'-0" (S7.0)

Order Plans @ WWW.LDILine.com