

**BARTON & SHUMER
ENGINEERING, LLC**
32113 MIDTOWN PARK SOUTH
MOBILE, AL 36606
PHONE: 251-219-4942

**SECTIONS AND DETAILS
MULHERIN CUSTODIAL HOME**
2496 HALLS MILL ROAD
MOBILE, ALABAMA

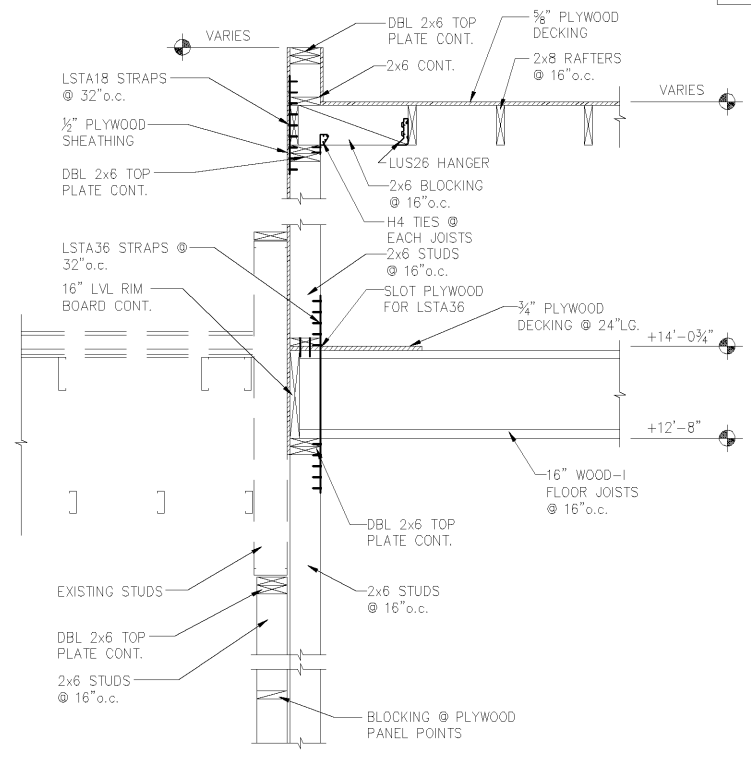
LOCATION:



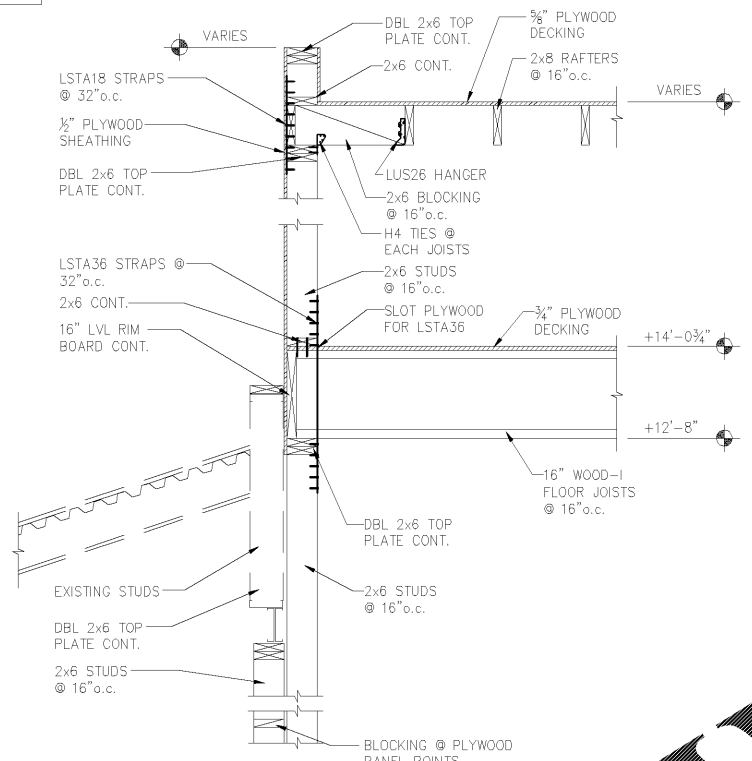
FOR PERMIT
REVISIONS:

DRAWN BY: DRB
DESIGNED BY: CHE
DATE: 03 OCT 2018 SHEET S6.0
18262

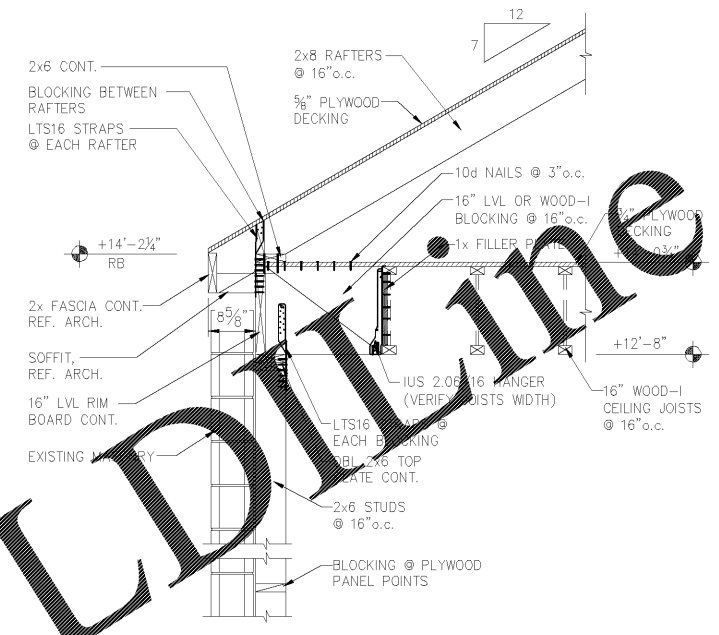
OPTION TO BALLOON
FRAME STUDS & NAIL
TO BLOCKING



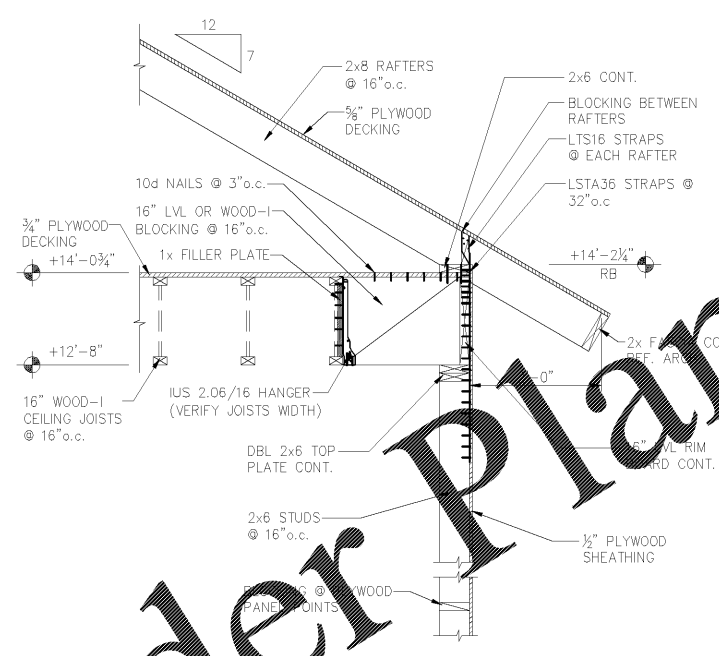
FLOOR FRAMING
SECTION 1
SCALE: 3/4"=1'-0" S6.0



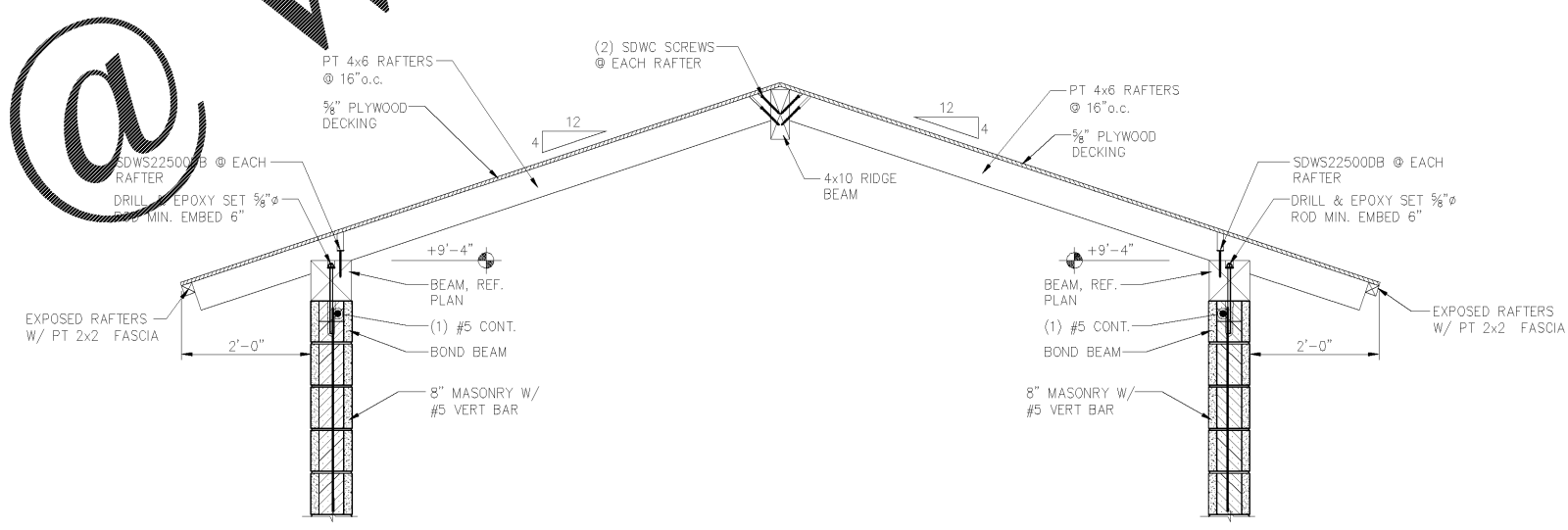
FLOOR FRAMING
SECTION 2
SCALE: 3/4"=1'-0" S6.0



ROOF FRAMING
SECTION 3
SCALE: 3/4"=1'-0" S6.0



ROOF FRAMING
SECTION 4
SCALE: 3/4"=1'-0" S6.0



ROOF FRAMING
SECTION 5
SCALE: 3/4"=1'-0" S6.0

Order Plans

@ WWW.LDOnline.com