

**BARTON & SHUMER
ENGINEERING, LLC**

3213 MIDTOWN PARK SOUTH
MOBILE, AL 36606
PHONE: 251-219-4942

**SECTIONS AND DETAILS
MULHERIN CUSTODIAL HOME**

2496 HALLS MILL ROAD
MOBILE, ALABAMA

LOCATION:



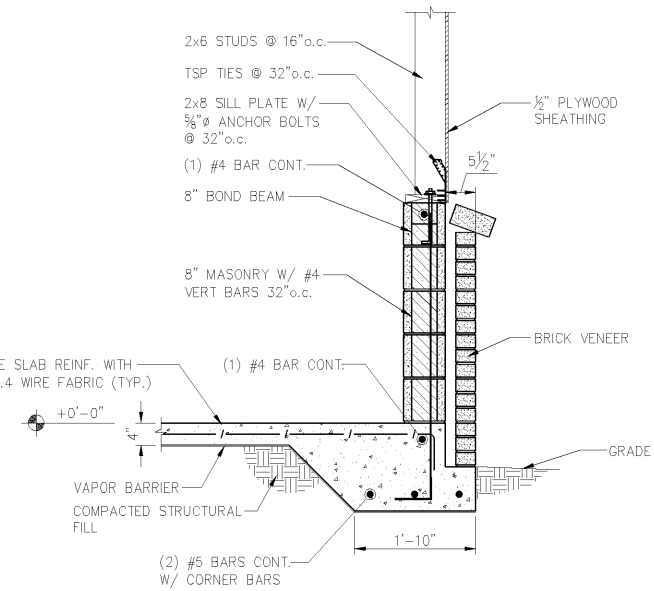
FOR PERMIT
REVISIONS:

DRAWN BY: DRB
DESIGNED BY: CHE

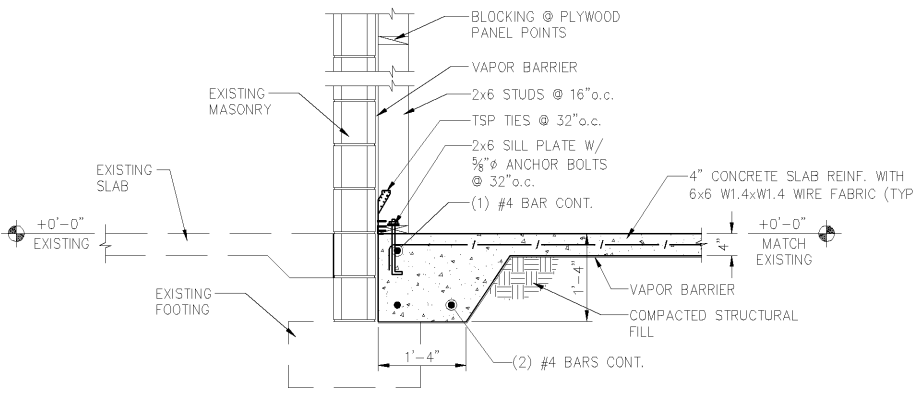
DATE: 03 OCT 2018 SHEET S5.0

18262

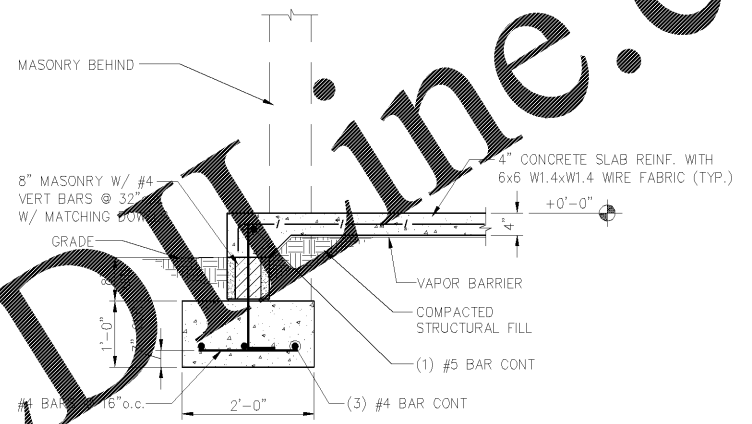
WWW.LDOnline.com



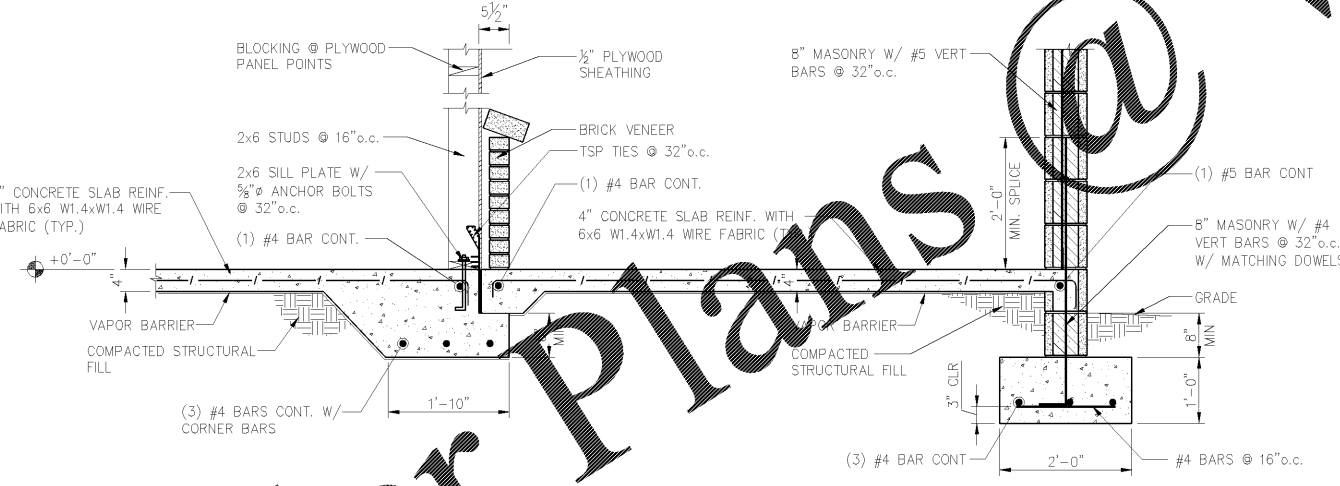
EXTERIOR WALL
SECTION 1
SCALE: 3/4"=1'-0" S5.0



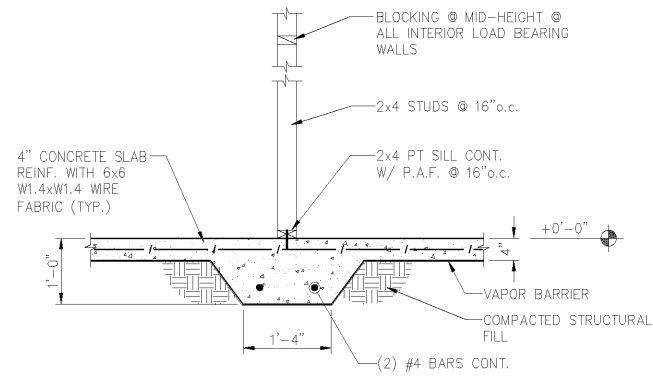
EXTERIOR WALL
SECTION 2
SCALE: 3/4"=1'-0" S5.0



EXTERIOR WALL
SECTION 3
SCALE: 3/4"=1'-0" S5.0



EXTERIOR WALL
SECTION 4
SCALE: 3/4"=1'-0" S5.0



INTERIOR LOAD BEARING
SECTION 5
SCALE: 3/4"=1'-0" S5.0

Order Plans @