

**BARTON & SHUMER
ENGINEERING, LLC**

3213 MIDTOWN PARK SOUTH
MOBILE, AL 36606
PHONE: 251-219-4942

**SECTIONS AND DETAILS
MULHERIN CUSTODIAL HOME**

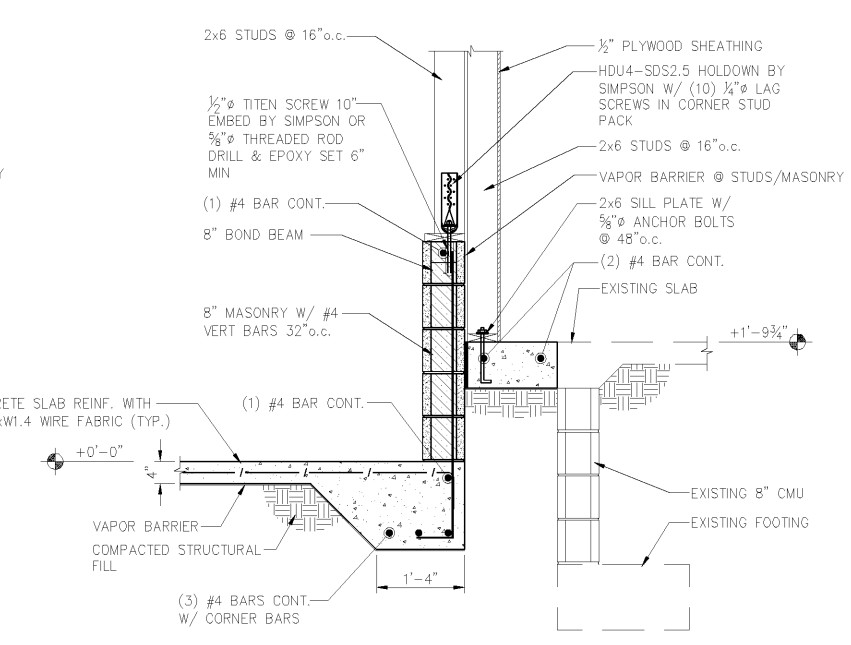
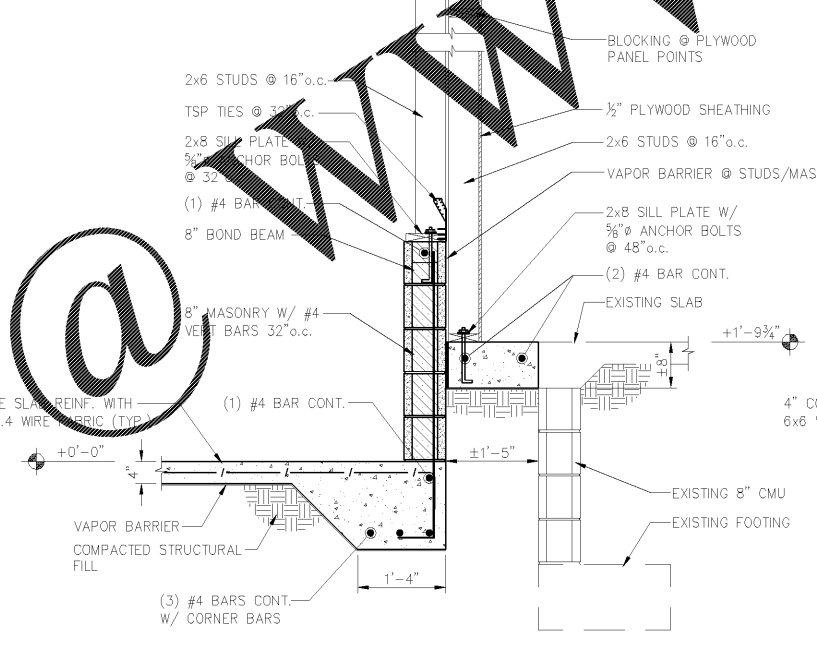
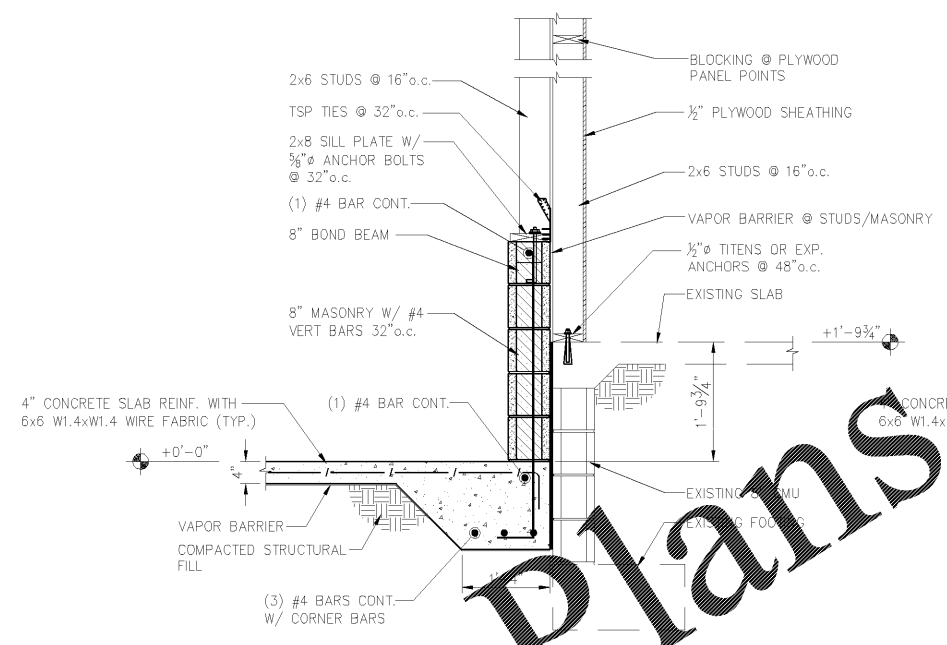
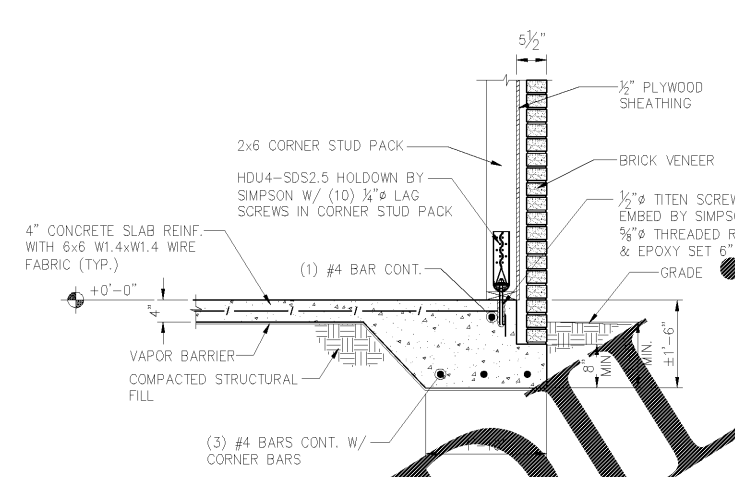
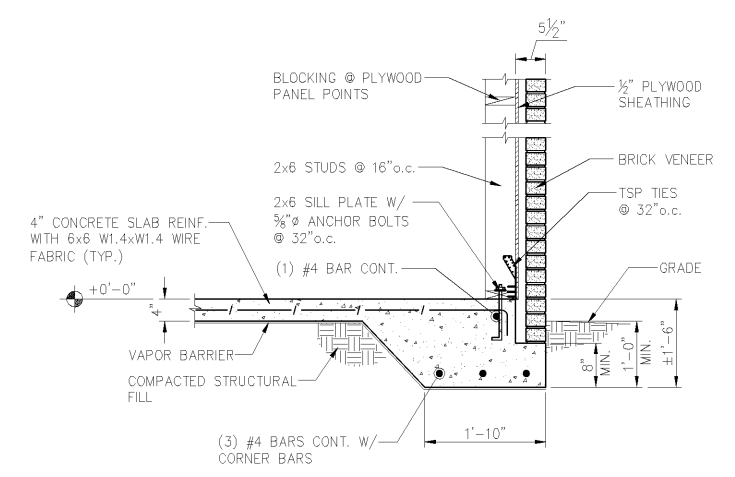
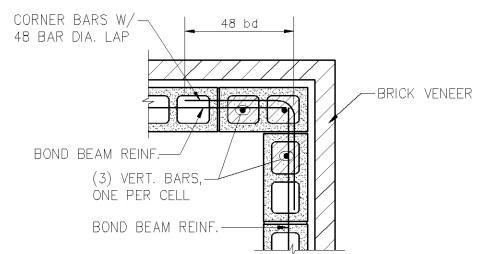
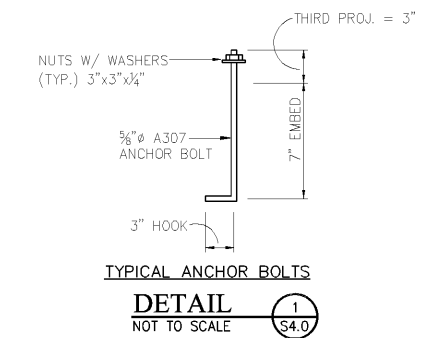
2496 HALLS MILL ROAD
MOBILE, ALABAMA

LOCATION:



FOR PERMIT
REVISIONS:

DRAWN BY: DRB
DESIGNED BY: CHE
DATE: 03 OCT 2018 SHEET S4.0
18262



Order Plans @



www.LDLine.com