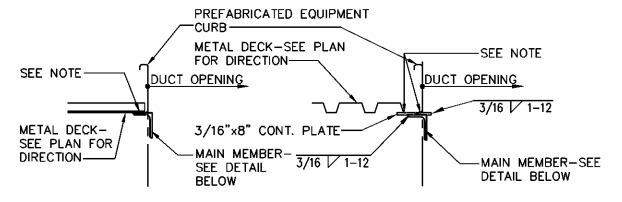


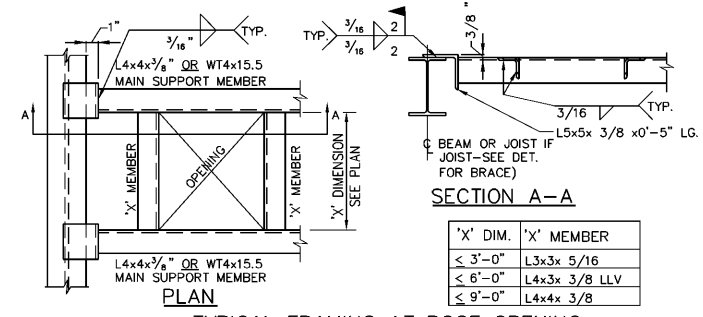
JOIST REINFORCEMENT FOR CONCENTRATED LOADS NOT FALLING AT PANEL POINTS

1 JOIST REINFORCEMENT DETAIL  
SCALE: 3/4"=1'-0"



NOTE: WELD DECK TO SUPPORT THRU PREFABRICATED EQUIPMENT CURBS. WHERE DECK IS ON BOTH SIDE OF SUPPORT, WELD DECK ON BOTH SIDES TO SUPPORT AS DESCRIBED HEREIN. PROVIDE OPENINGS IN DECK ONLY WHERE DUCT OPENINGS ARE REQUIRED AT OTHER LOCATIONS PROVIDE DECK AS SHOWN INSIDE PREFABRICATED CURB. SEE MECHANICAL FOR DUCT OPENING SIZES AND LOCATIONS. PROVIDE ANGLE OR WF SUPPORTS UNDER ALL CURBS AND ANY UNSUPPORTED EDGES OF ROOF DECK. OPENINGS SMALLER THAN 10" SQUARE DO NOT REQUIRE FRAMES.

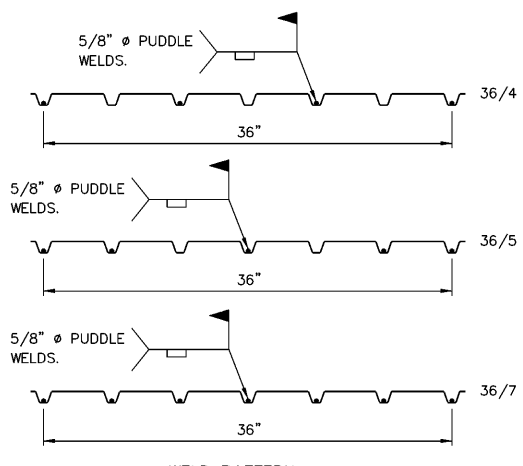
TYPICAL SECTIONS AT EQUIP. CURB



TYPICAL FRAMING AT ROOF OPENING FOR ROOF TOP UNITS

NOTES:  
1). VERIFY ALL DIM. W/SUPPLIER BEFORE FABRICATION

2 RTU CURB AND FRAMING DETAILS  
SCALE: 3/4"=1'-0"



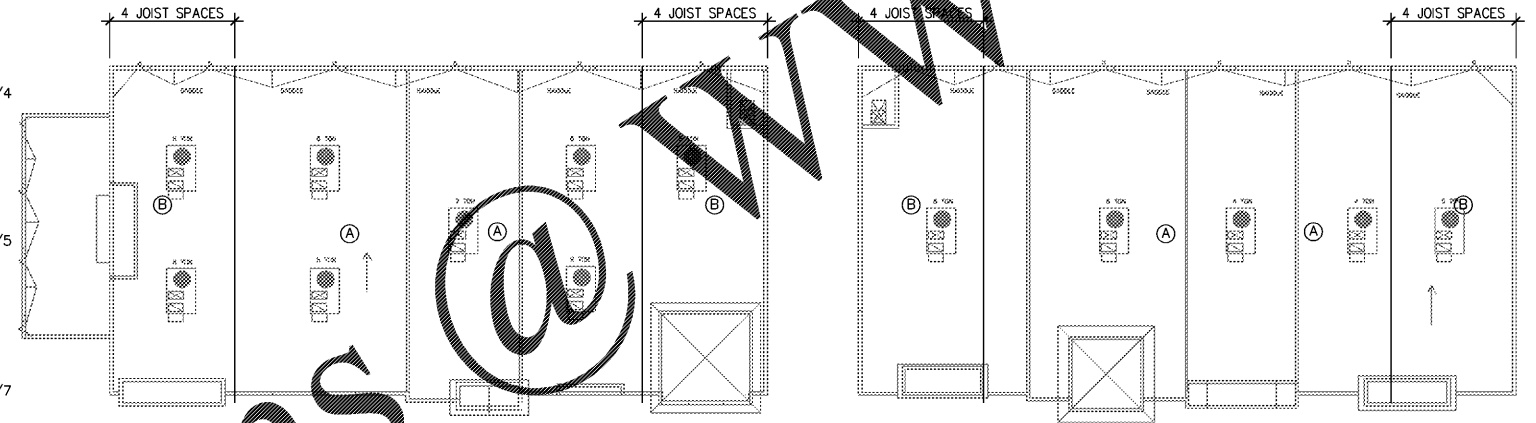
ROOF DECK ATTACHMENT NOTES:

- ATTACHMENT AT SUPPORTS SHALL BE WELDS.
- ATTACHMENT AT SIDE LAPS SHALL BE #10 TEK'S SCREWS.
- ATTACHMENT AROUND OPENINGS SHALL BE WELDS @ 6" o.c.
- ATTACHMENT AT SIDE SUPPORTS ALONG PERIMETER SHALL BE WELDS @ 6" o.c.
- MINIMUM ENDLAP 3" TYP.
- PROVIDE MIN. 2 SPAN FOR DECK, 3 WHEN POSSIBLE (SINGLE SPAN DECK NOT PERMITTED)

DECK ATTACHMENT SCHEDULE

ATTACHMENT	WELD PATTERN @ SUPPORT	SIDE LAP REQUIREMENTS
(A)	36/4	3 PER SPAN
(B)	36/5	6 PER SPAN
(C)	36/7	7 PER SPAN

3 WELD PATTERN FOR ROOF DECK  
SCALE: 3/4"=1'-0"



Order Plans

WWW.LDILine.com

**SABO**  
STRUCTURAL  
ENGINEERING  
1205 BEACH BLVD  
JAY BEACH, FL  
904-712-5750  
CHRIS@SABOENG.COM

CHRISTOPHER J. SABOURIN  
LICENSE  
No. 71461  
STATE OF  
FLORIDA  
PROFESSIONAL ENGINEER

10.01.18  
Christopher J Sabourin PE  
FL PE#71461

PLAN NAME	DATE
BRANAN FIELD WALK	10.01.18
ISS No.	RWL18-0133

ISSUE	DATE
PERMIT	10.01.18
REVISIONS	DATE

STRUCTURAL ENGINEERING FOR  
BUILDING 2  
BRANAN FIELD WALK  
MIDDLEBERG, FL

FIELD ALTERATION  
CONTRACTOR SHALL CONTACT  
CHRISTOPHER SABOURIN PE PRIOR TO  
MAKING ANY STRUCTURAL FIELD  
MODIFICATIONS WHICH MAY VARY  
FROM THE INTENT OF THE ORIGINAL  
CONTRACTOR DOCUMENTS. ANY  
FIELD ALTERATIONS MADE PRIOR TO  
BEING APPROVED BY CHRISTOPHER  
SABOURIN MAY RESULT IN ADDITIONAL  
ENGINEERING OR INSPECTION FEES.

SCALING  
DO NOT SCALE DIMENSIONS FROM  
THESE DRAWINGS. IF A DIMENSION IS  
UNCLEAR REFER TO THE  
ARCHITECTURAL DRAWINGS OR  
CONTACT THE EDR.

MISC  
DETAILS