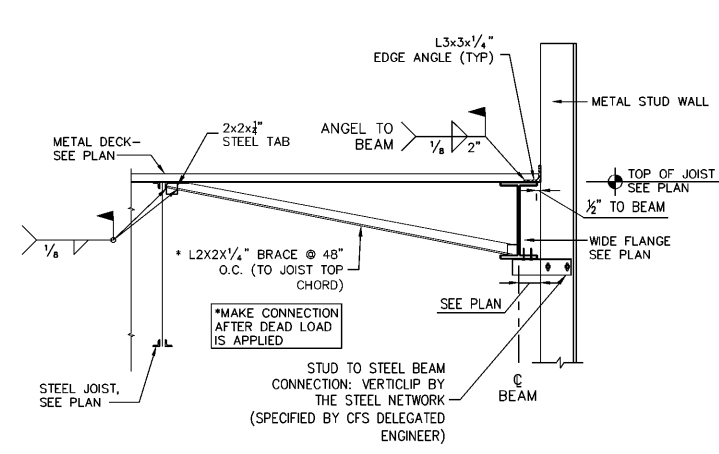


ISSUE	DATE
PERMIT	10.01.18
REVISIONS	DATE

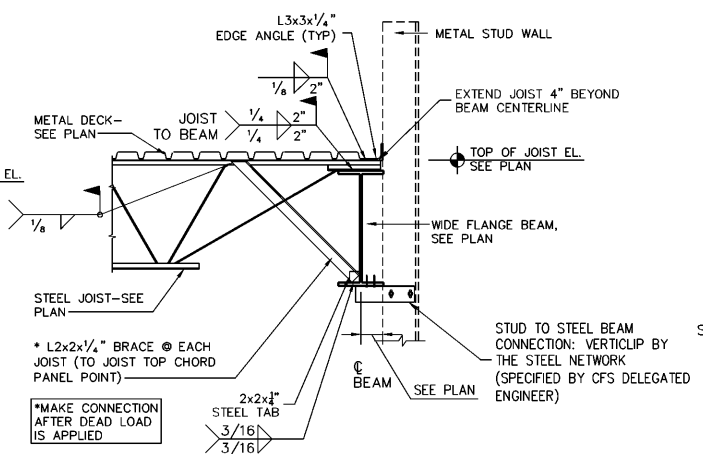
STRUCTURAL ENGINEERING FOR
 BUILDING 2
 BRANNAN FIELD WALK
 MIDDLEBERG, FL

FIELD ALTERATION
 CONTRACTOR SHALL CONTACT CHRISTOPHER SABOURIN PE PRIOR TO MAKING ANY STRUCTURAL FIELD MODIFICATIONS WHICH MAY VARY FROM THE INTENT OF THE ORIGINAL CONTRACTOR DOCUMENTS. ANY FIELD ALTERATIONS MADE PRIOR TO BEING APPROVED BY CHRISTOPHER SABOURIN MAY RESULT IN ADDITIONAL ENGINEERING OR INSPECTION FEES.

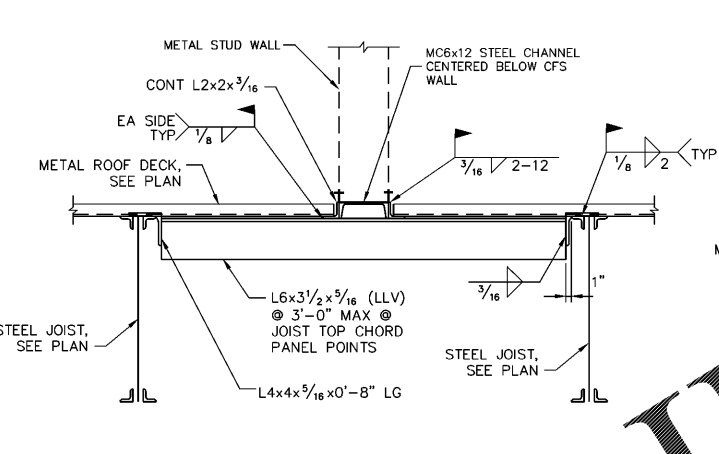
SCALING
 DO NOT SCALE DIMENSIONS FROM THESE DRAWINGS. IF A DIMENSION IS UNCLEAR REFER TO THE ARCHITECTURAL DRAWINGS OR CONTACT THE EDR.



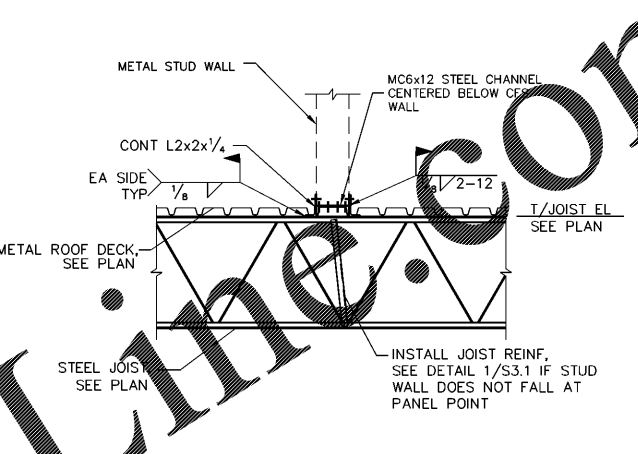
SECTION 1
 S3.0 SCALE: 3/4"=1'-0"



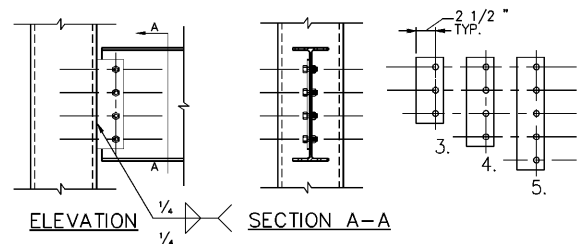
SECTION 2
 S3.0 SCALE: 3/4"=1'-0"



SECTION 3
 S3.0 SCALE: 3/4"=1'-0"



SECTION 4
 S3.0 SCALE: 3/4"=1'-0"

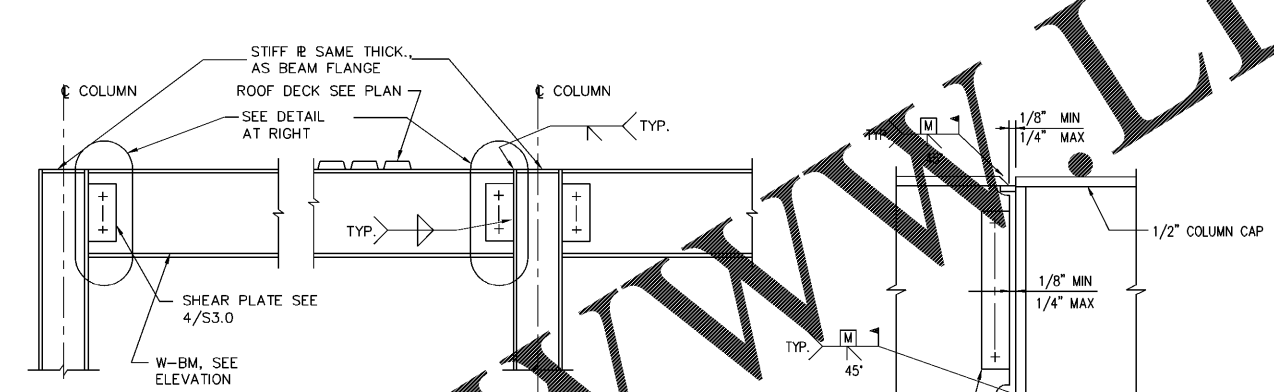


CONN. TYPE	LOAD	SINGLE SHEAR PLATE SIZE	MINIMUM BEAM SIZE
5	53 K	3/16" x 4" x 15"	W24, W21
4	42 K	3/16" x 4" x 12"	W18, W16
3	32 K	3/16" x 4" x 9"	W14, C15, W12, C12
2	20 K	3/16" x 4" x 6"	W10, C10, W8, C8

- NOTES:**
- BOLTS SHALL BE 3/4" A-325-N BEARING TYPE. ALLOWABLE BOLT SHEAR = 9.25 K.
 - WELDING MAY BE USED IN LIEU OF BOLTING. WELDS SHALL BE CAPABLE OF RESISTING LOADS SHOWN.
 - COLUMN THICKNESSES SHALL BE THE MINIMUM TABULATED ABOVE FOR THIS SCHEDULE TO BE VALID.
 - SHEAR PLATE SHALL BE WELDED TO COLUMN IN ACCORDANCE WITH THE SIZE NOTED ABOVE.

BEAM TO SQUARE HSS COLUMN CONNECTION

CONNECTION DETAILS AND SCHEDULES
 S3.0 SCALE: 3/4"=1'-0"



TYPICAL RIGID FRAME CONNECTION AT ROOF

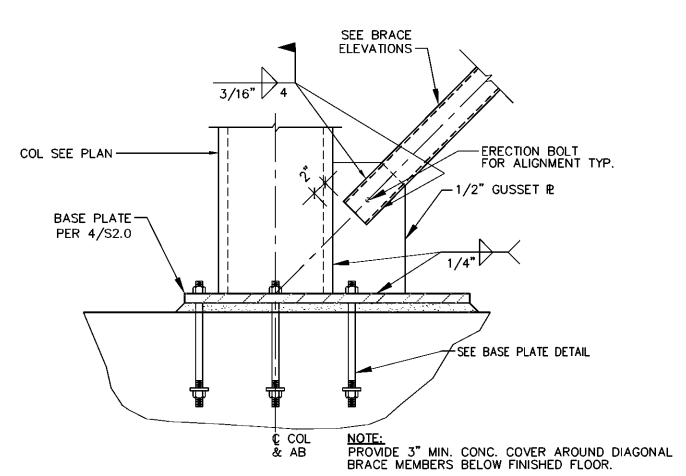
RIGID FRAME NOTES:

- REFER TO PLAN SHEETS FOR COLUMN GRID DIMENSIONS AND TOP OF STEEL ELEVATIONS.
- REFER TO RIGID FRAME ELEVATIONS FOR BASE PLATE AND ANCHOR BOLT INFORMATION.
- (X.XX) NUMBER REPRESENTS SHEAR REACTION IN KIPS OF BEAM.

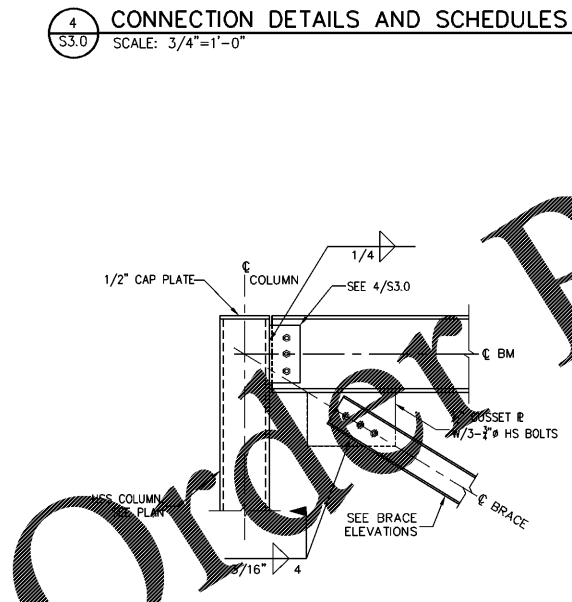
DESIGN FOR REACTION SHOWN IN NO CASE SHALL THE LENGTH OF THE FRAMED CONNECTION BE LESS THAN 1/2 THE D1 DIMENSION OF THE BEAM WEB. THE MINIMUM REACTION DESIGNED SHALL DEVELOPE 1/2 ALLOWABLE UNIFORM LOAD FOR LATERALLY SUPPORTED BEAMS AS SHOWN IN PART 2 OF THE A.I.S.C. MANUAL.

MOMENT CONNECTION DETAIL
 S3.0 SCALE: N.T.S.

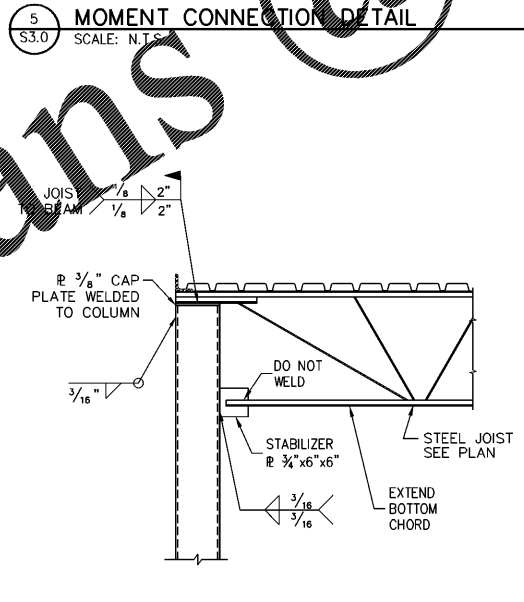
PARTIAL PENETRATION MOMENT CONNECTION



DETAIL 6
 S3.0 SCALE: 1 1/2"=1'-0"



DETAIL 7
 S3.0 SCALE: N.T.S.



DETAIL 8
 S3.0 SCALE: N.T.S.

Order Plans