

PLAN NAME	BRANNAN FIELD WALK
DATE	10.01.18
SSE No.	RWIL-18-0133

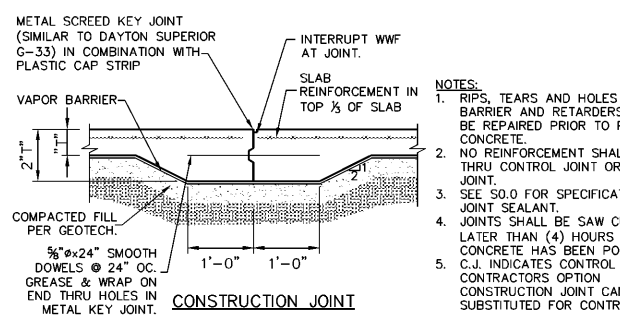
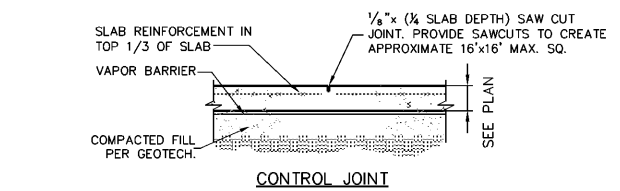
ISSUE	DATE
PERMIT	10.01.18
REVISIONS	DATE

STRUCTURAL ENGINEERING FOR
BUILDING 2
BRANNAN FIELD WALK
MIDDLEBERG, FL

FIELD ALTERATION
CONTRACTOR SHALL CONTACT
CHRISTOPHER SABOURIN PE PRIOR TO
MAKING ANY STRUCTURAL FIELD
MODIFICATIONS WHICH MAY VARY
FROM THE INTENT OF THE ORIGINAL
CONTRACTOR DOCUMENTS. ANY
FIELD ALTERATIONS MADE PRIOR TO
BEING APPROVED BY CHRISTOPHER
SABOURIN MAY RESULT IN ADDITIONAL
ENGINEERING OR INSPECTION FEES.

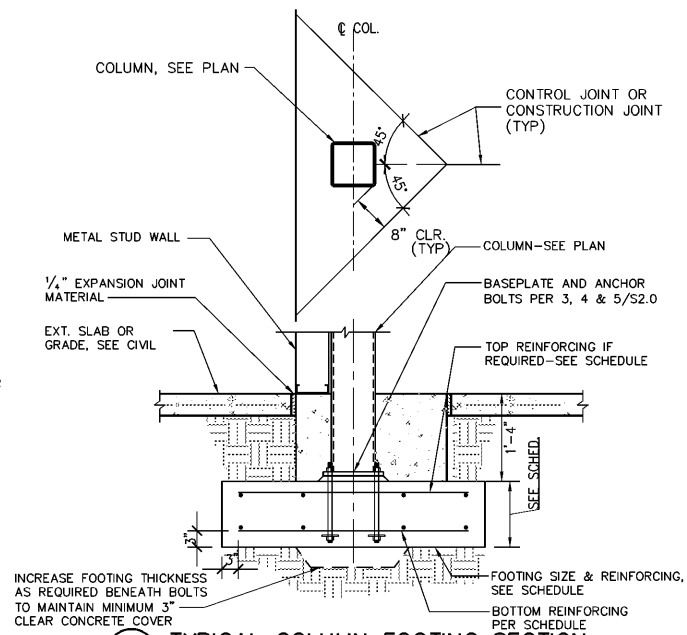
SCALING
DO NOT SCALE DIMENSIONS FROM
THESE DRAWINGS. IF A DIMENSION IS
UNCLEAR REFER TO THE
ARCHITECTURAL DRAWINGS OR
CONTACT THE EDR.

FOUNDATION
SECTIONS
AND
DETAILS

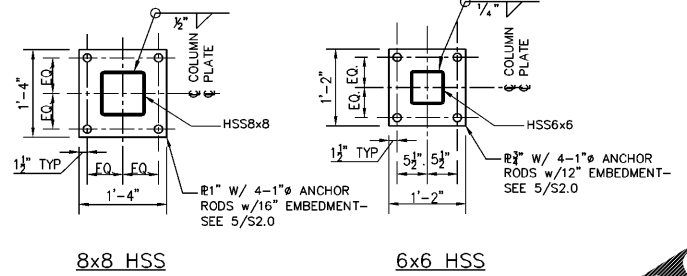
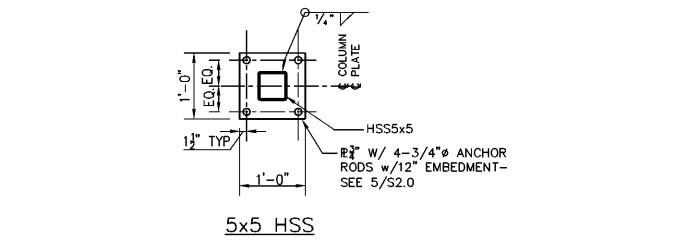


- NOTES:**
1. RIPS, TEARS AND HOLES IN VAPOR BARRIER AND RETARDERS SHALL BE REPAIRED PRIOR TO PLACING CONCRETE.
 2. NO REINFORCEMENT SHALL EXTEND THRU CONTROL JOINT OR CONST. JOINT.
 3. SEE S.O.0 FOR SPECIFICATIONS FOR JOINT SEALANT.
 4. JOINTS SHALL BE SAW CUT NO LATER THAN (4) HOURS AFTER CONCRETE HAS BEEN POURED. C.J. INDICATES CONTROL JOINT. AT CONTRACTOR'S OPTION CONSTRUCTION JOINT CAN BE SUBSTITUTED FOR CONTROL JOINT.
 5. 5/8" x 24" SMOOTH DOWELS @ 24" OC. GREASE & WRAP ON END THRU HOLES IN METAL KEY JOINT.

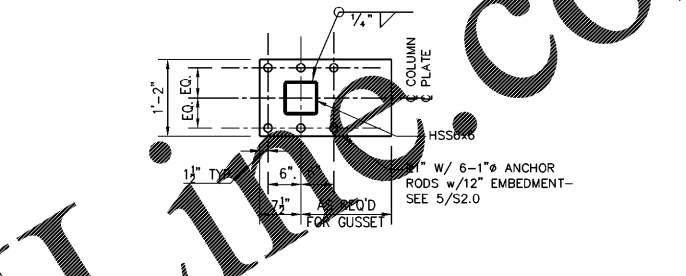
1 SLAB JOINT DETAILS
S2.0 SCALE: 3/4" = 1'-0"



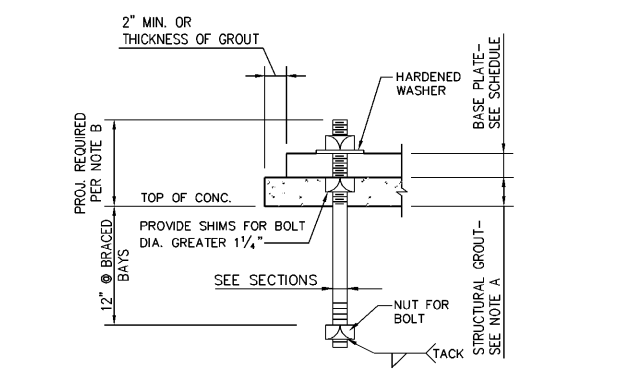
2 TYPICAL COLUMN FOOTING SECTION
S2.0 SCALE: N.T.S.



3 BASE PLATE DETAIL AT BRACED FRAMES
S2.0 SCALE: N.T.S.

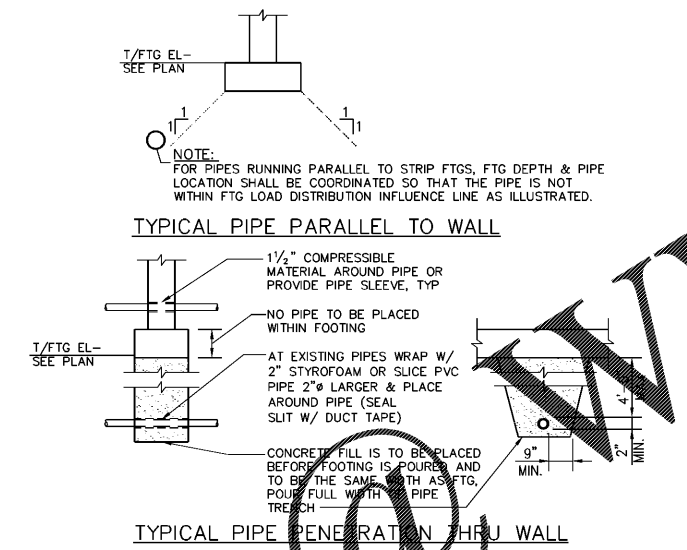


4 BASE PLATE DETAIL AT BRACED FRAMES
S2.0 SCALE: N.T.S.

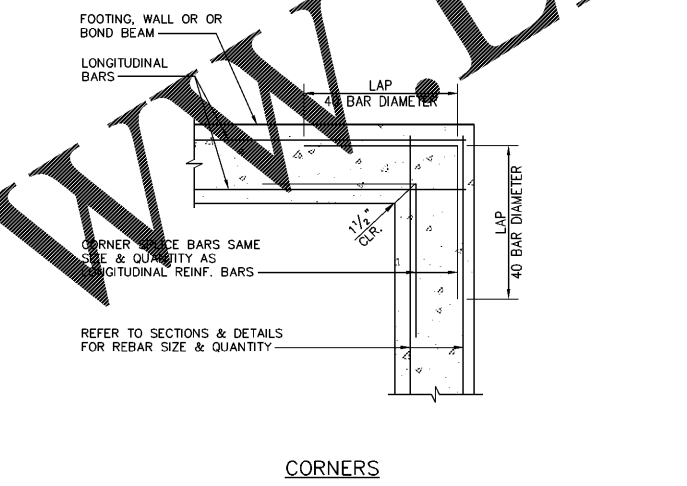


- NOTE A:**
GROUT SHALL BE PLACED IN FLUID OR PLASTIC STATE. NO DRY/DAMP PACKING. MINIMUM GROUT THICKNESS SHALL BE 1". PLACE FORM AROUND BASE PLATE. PLACE ALL GROUT FROM ONE POINT AND LET GROUT FLOW UNDER BASE PLATE TO OPPOSITE SIDES. DO NOT PLACE GROUT FROM MULTIPLE POINTS.
- NOTE B:**
PROJECTION OF ANCHOR BOLT IS EQUAL TO GROUT THICKNESS + BASE R THICKNESS + 1.5 TIMES THE ANCHOR BOLT Ø + 1/2" MIN.

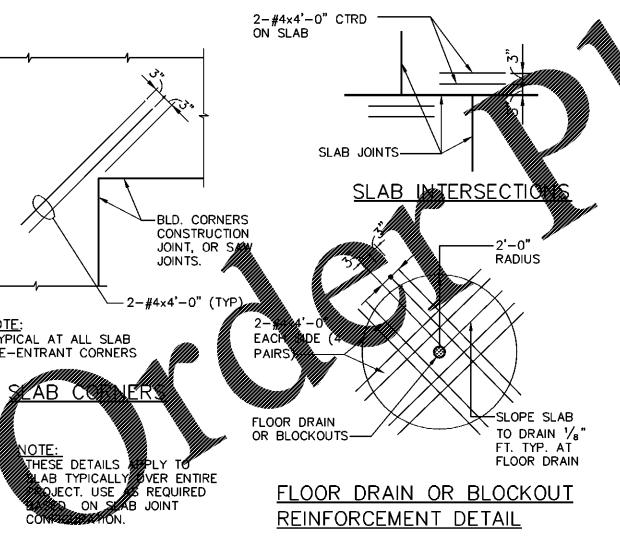
5 ANCHOR BOLT DETAIL
S2.0 SCALE: N.T.S.



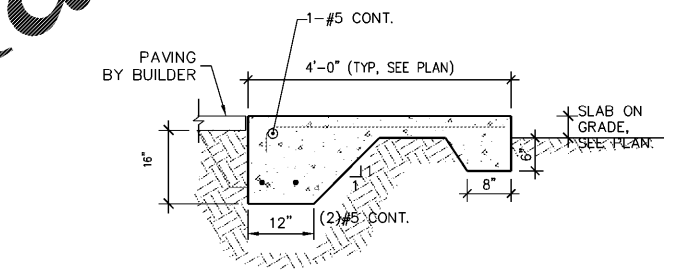
6 PIPE PENETRATION DETAILS
S2.0 SCALE: N.T.S.



7 TYPICAL CONTINUITY PLAN FOR REINFORCING IN CONCRETE WALLS, FOOTINGS, BEAMS, AND CMU BOND BEAM DETAILS
S2.0 SCALE: N.T.S.



8 TYPICAL SLAB REINFORCEMENT DETAILS
S2.0 SCALE: N.T.S.



9 TYPICAL FOOTING SECTION
S2.0 SCALE: N.T.S.