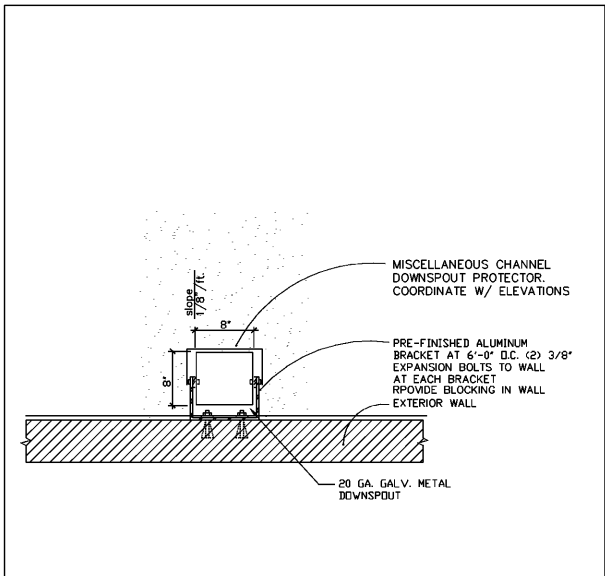
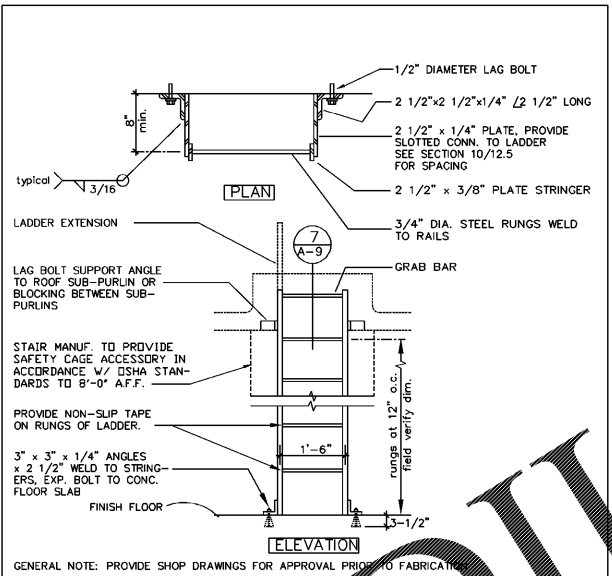


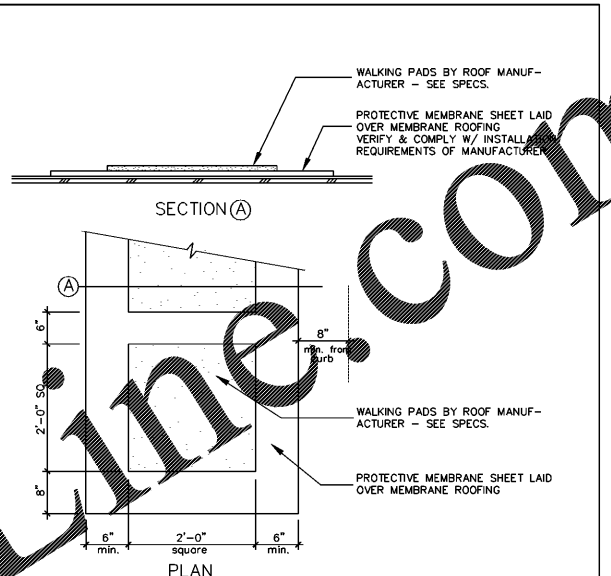
1 NOT USED SCALE: NONE



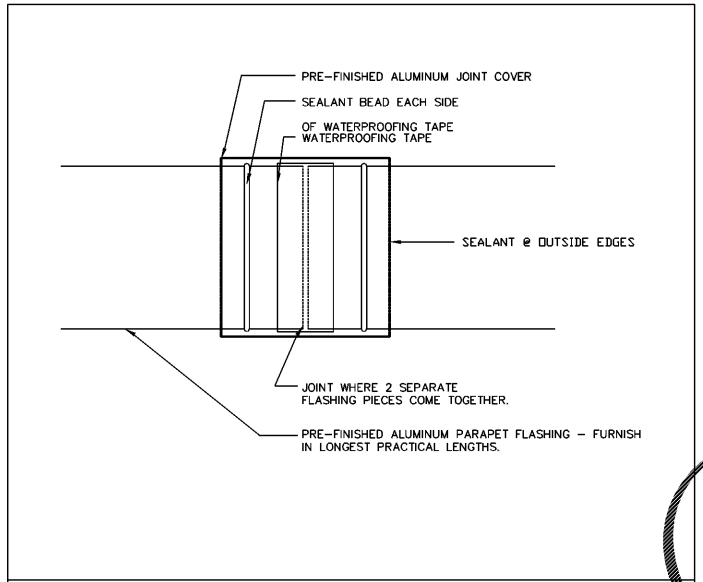
2 DOWNSPOUT / SPLASH BLOCK TYP. AT EACH DOWNSPOUT LOCATION SCALE: NONE



3 LADDER ELEVATION / PLAN SCALE: NONE



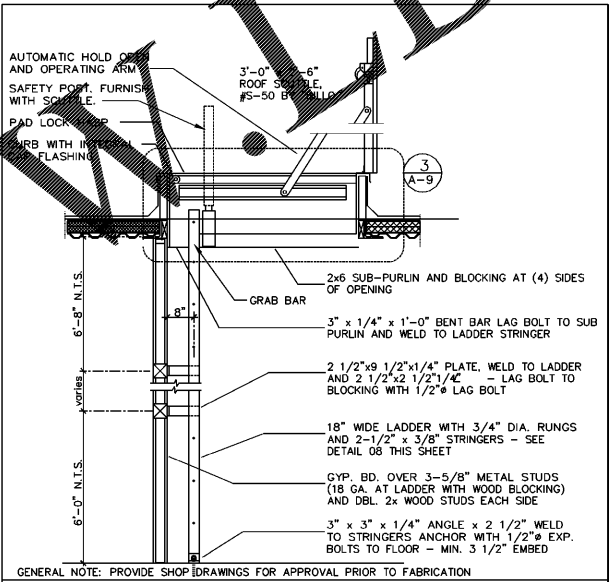
4 ROOF MEMBRANE WALKING PADS SCALE: NONE



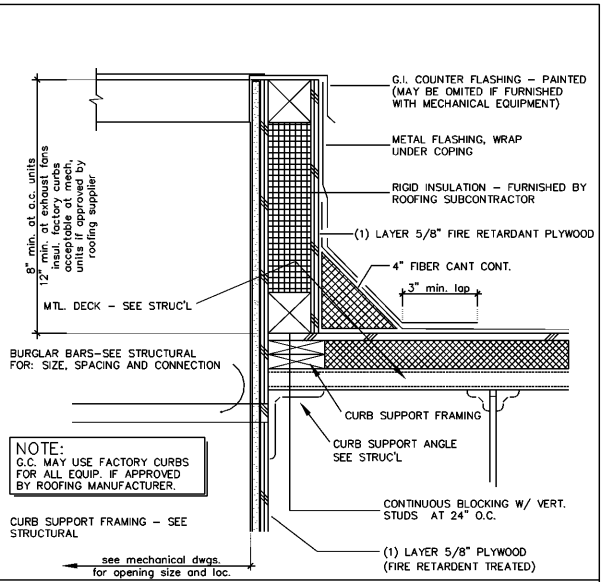
5 FLASHING SPLICE DETAIL



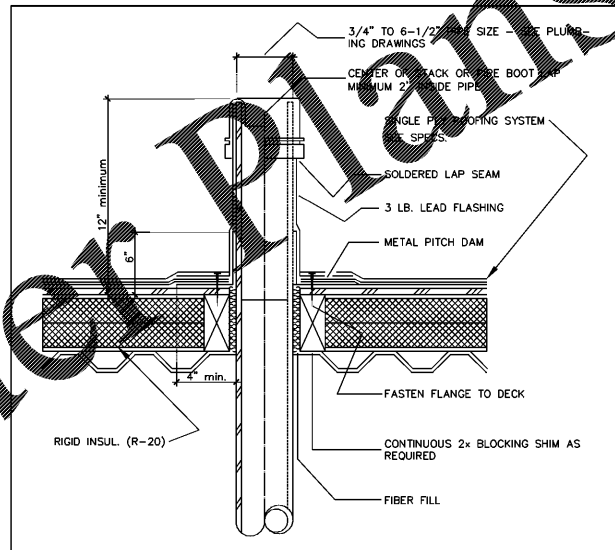
6 NOT USED



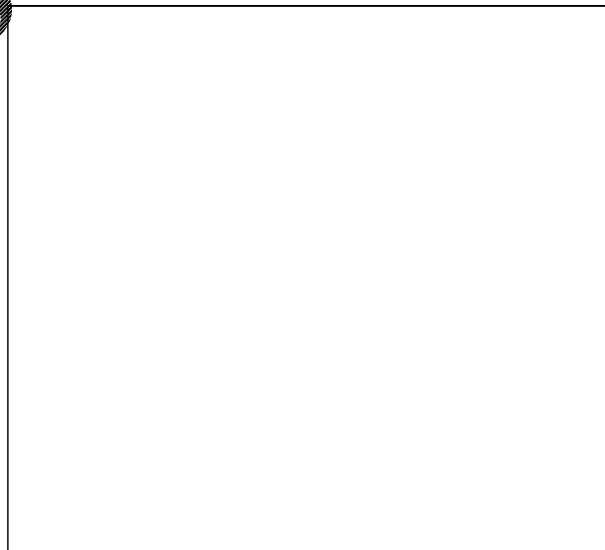
7 ROOF LADDER SECTION SCALE: NONE



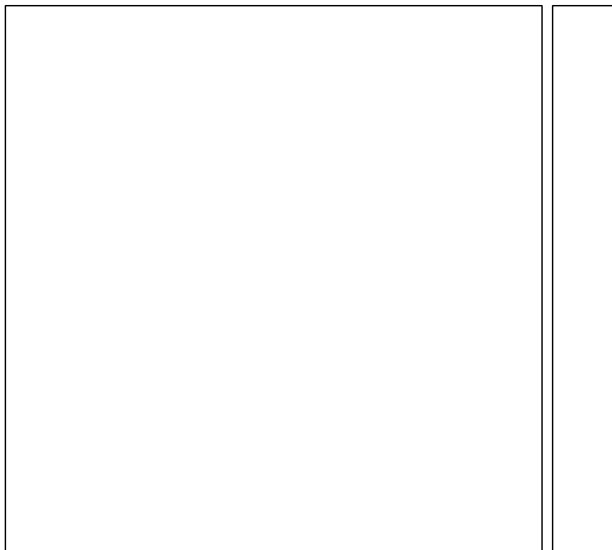
8 CURB AT MECH. OPENING SCALE: NONE



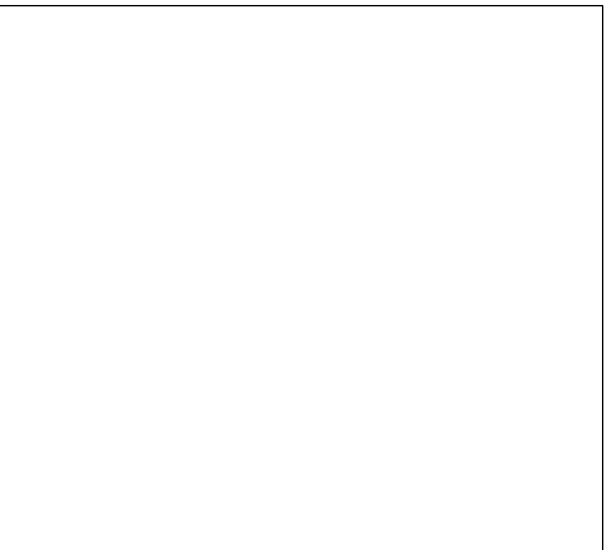
9 TYPICAL PIPE PENETRATION SCALE: NONE



10 NOT USED SCALE: NONE



11 NOT USED



12 NOT USED

Order Plans

WWW.WILLIAMSARCHITECT.COM

ROY WILLIAMS ARCHITECT, INC.  
ARCHITECTURE \* LAND PLANNING \* GRAPHICS

6022 SAN JOSE BLVD., JACKSONVILLE, FL 32256  
904-285-6338 • Fax: 904-285-6343

BRANAN FIELD WALK  
MIDDLEBURG, FLORIDA

MISCELLANEOUS DETAILS

SEAL

Lic# AR0014813

DATE	DATE	DATE	DATE
REVISED FOR PERMITS	REVISED FOR PERMITS	REVISED FOR PERMITS	REVISED FOR PERMITS
DATE	DATE	DATE	DATE

This drawing is an instrument of service and property of Roy Williams Architect, Inc. and shall remain their property. This use of this drawing shall be restricted to the project for which it is prepared and publication thereof is expressly limited to such use.

Date: 10/1/2018  
Scale: NTS  
Drawn: CM  
Checked: RCW  
Sheet No: A-9