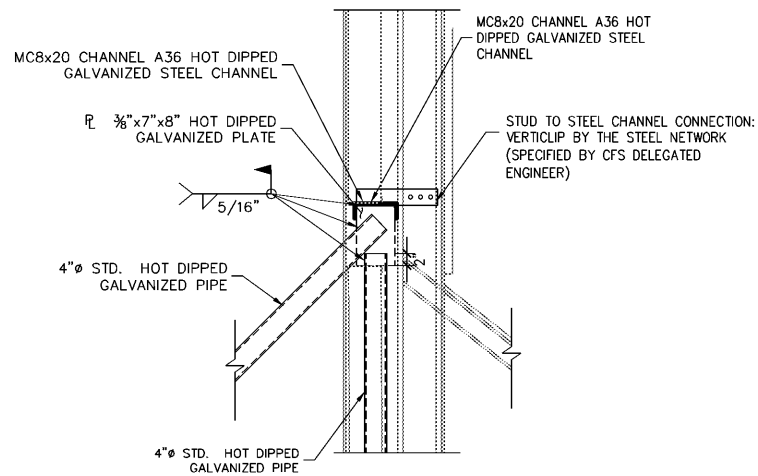
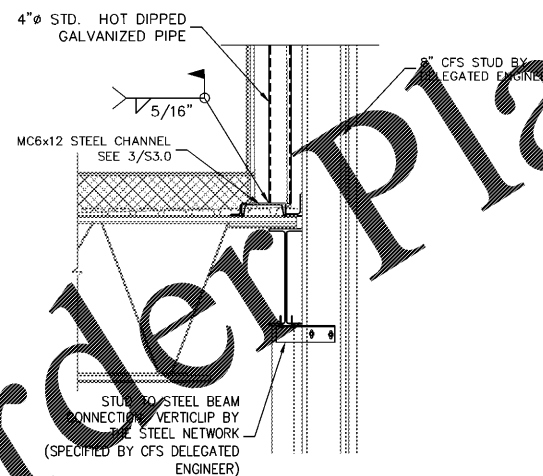


1
S6.0 KICK BRACE ATTACHMENT TO EXISTING STEEL BEAM



2
S6.0 KICK BRACE ATTACHMENT TO CFS WALL



3
S6.0 KICK BRACE PIPE ATTACHMENT TO FRAMING BELOW

SABO
STRUCTURAL
ENGINEERING
1205 BEACH BLVD
JAY BEACH, FL
904-712-5750
CHRIS@SABOENG.COM

CHRISTOPHER J. SABOURIN
LICENSED
No. 71461
STATE OF
FLORIDA
PROFESSIONAL ENGINEER

10.01.18
Christopher J Sabourin PE
FL PE#71461

PLAN NAME	BRANAN FIELD WALK
DATE	10.01.18
SSE No.	RWIL-18-0133

ISSUE	DATE
PERMIT	10.01.18
REVISIONS	DATE

STRUCTURAL ENGINEERING FOR
BUILDING 1
BRANAN FIELD WALK
MIDDLEBERG, FL

FIELD ALTERATION
CONTRACTOR SHALL CONTACT
CHRISTOPHER SABOURIN PE PRIOR TO
MAKING ANY STRUCTURAL FIELD
MODIFICATIONS WHICH MAY VARY
FROM THE INTENT OF THE ORIGINAL
CONTRACTOR DOCUMENTS. ANY
FIELD ALTERATIONS MADE PRIOR TO
BEING APPROVED BY CHRISTOPHER
SABOURIN MAY RESULT IN ADDITIONAL
ENGINEERING OR INSPECTION FEES.

SCALING
DO NOT SCALE DIMENSIONS FROM
THESE DRAWINGS. IF A DIMENSION IS
UNCLEAR REFER TO THE
ARCHITECTURAL DRAWINGS OR
CONTACT THE EDR.

PARAPET
BRACING
DETAIL

SHEET
S6.0
SHEET 15 OF 15

Order Plans @ www.LDILine.com