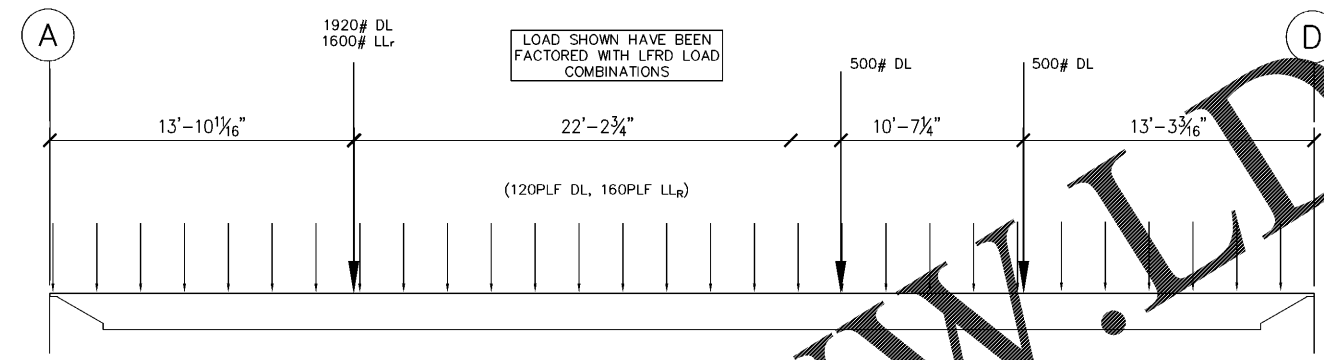
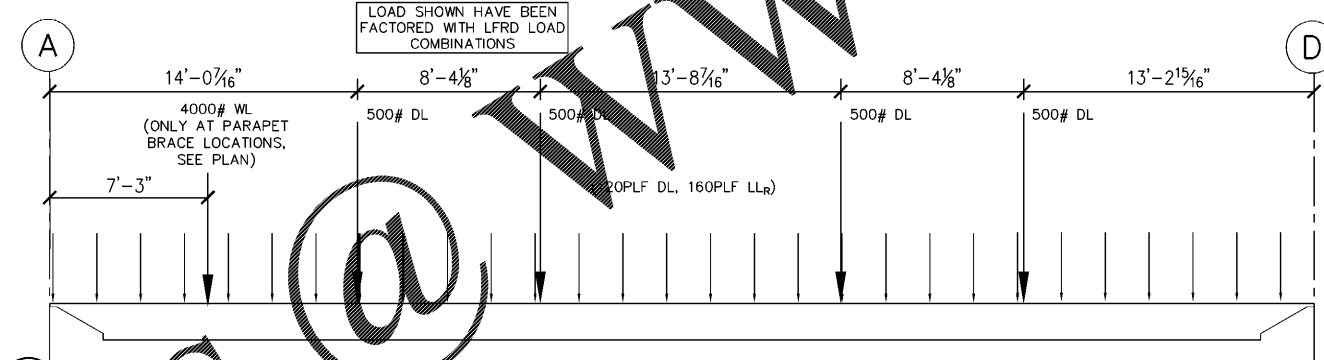


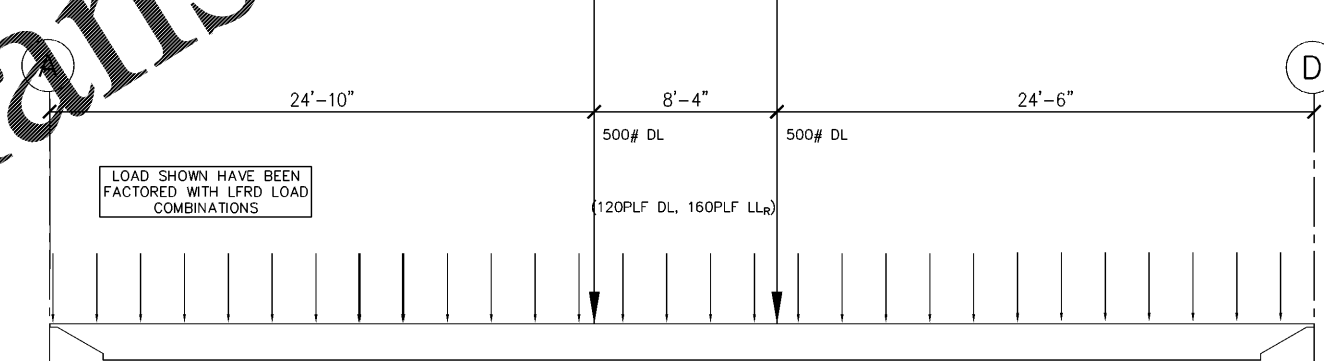
1 SPECIAL JOIST 1 LOADING DIAGRAM
S3.2 SCALE: 1/4" = 1'-0"



2 SPECIAL JOIST 2 LOADING DIAGRAM
S3.2 SCALE: 1/4" = 1'-0"



3 SPECIAL JOIST 3 LOADING DIAGRAM
S3.2 SCALE: 1/4" = 1'-0"



4 SPECIAL JOIST 4 LOADING DIAGRAM
S3.2 SCALE: 1/4" = 1'-0"

Order Plans @

WWW.LDILine.com

SABO STRUCTURAL ENGINEERING
 1205 BEACH BLVD
 JAY BEACH, FL
 904-712-5750
 CHRIS@SABOENG.COM



10.01.18
 Christopher J Sabourin PE
 FL PE#71461

PLAN NAME	BRANAN FIELD WALK
DATE	10.01.18
SSE No.	RWIL-18-0133

ISSUE	DATE
PERMIT	10.01.18
REVISIONS	DATE

STRUCTURAL ENGINEERING FOR
 BUILDING 1
 BRANAN FIELD WALK
 MIDDLEBERG, FL

FIELD ALTERATION
 CONTRACTOR SHALL CONTACT CHRISTOPHER SABOURIN PE PRIOR TO MAKING ANY STRUCTURAL FIELD MODIFICATIONS WHICH MAY VARY FROM THE INTENT OF THE ORIGINAL CONTRACTOR DOCUMENTS. ANY FIELD ALTERATIONS MADE PRIOR TO BEING APPROVED BY CHRISTOPHER SABOURIN MAY RESULT IN ADDITIONAL ENGINEERING OR INSPECTION FEES.

SCALING
 DO NOT SCALE DIMENSIONS FROM THESE DRAWINGS. IF A DIMENSION IS UNCLEAR REFER TO THE ARCHITECTURAL DRAWINGS OR CONTACT THE EDR.

SPECIAL JOIST LOADING DIAGRAM