

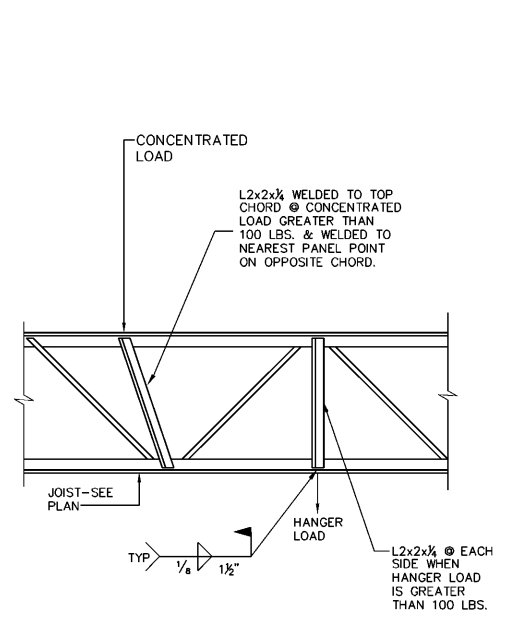
ISSUE	DATE
PERMIT	10.01.18
REVISIONS	DATE

STRUCTURAL ENGINEERING FOR
BUILDING 1
BRANAN FIELD WALK
MIDDLEBERG, FL

FIELD ALTERATION
CONTRACTOR SHALL CONTACT
CHRISTOPHER SABOURIN PE PRIOR TO
MAKING ANY STRUCTURAL FIELD
MODIFICATIONS WHICH MAY VARY
FROM THE INTENT OF THE ORIGINAL
CONTRACTOR DOCUMENTS. ANY
FIELD ALTERATIONS MADE PRIOR TO
BEING APPROVED BY CHRISTOPHER
SABOURIN MAY RESULT IN ADDITIONAL
ENGINEERING OR INSPECTION FEES.

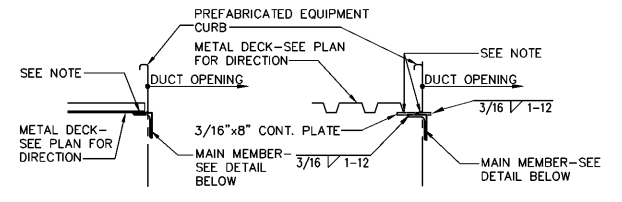
SCALING
DO NOT SCALE DIMENSIONS FROM
THESE DRAWINGS. IF A DIMENSION IS
UNCLEAR REFER TO THE
ARCHITECTURAL DRAWINGS OR
CONTACT THE EDR.

MISC
DETAILS



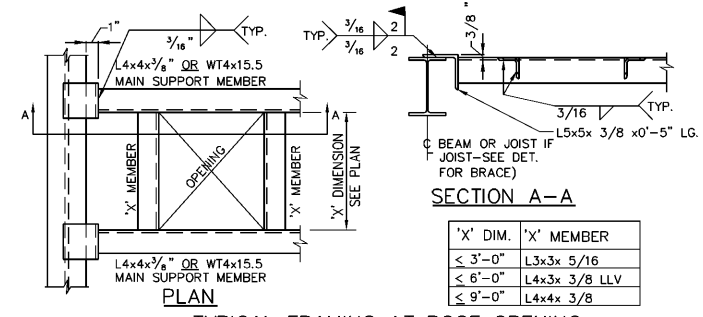
JOIST REINFORCEMENT FOR CONCENTRATED LOADS NOT FALLING AT PANEL POINTS

1 JOIST REINFORCEMENT DETAIL
S3.1 SCALE: 3/4"=1'-0"



NOTE: WELD DECK TO SUPPORT THRU PREFABRICATED EQUIPMENT CURBS. WHERE DECK IS ON BOTH SIDE OF SUPPORT, WELD DECK ON BOTH SIDES TO SUPPORT AS DESCRIBED HEREIN. PROVIDE OPENINGS IN DECK ONLY WHERE DUCT OPENINGS ARE REQUIRED AT OTHER LOCATIONS PROVIDE DECK AS SHOWN INSIDE PREFABRICATED CURB. SEE MECHANICAL FOR DUCT OPENING SIZES AND LOCATIONS. PROVIDE ANGLE OR WF SUPPORTS UNDER ALL CURBS AND ANY UNSUPPORTED EDGES OF ROOF DECK. OPENINGS SMALLER THAN 10" SQUARE DO NOT REQUIRE FRAMES.

TYPICAL SECTIONS AT EQUIP. CURB



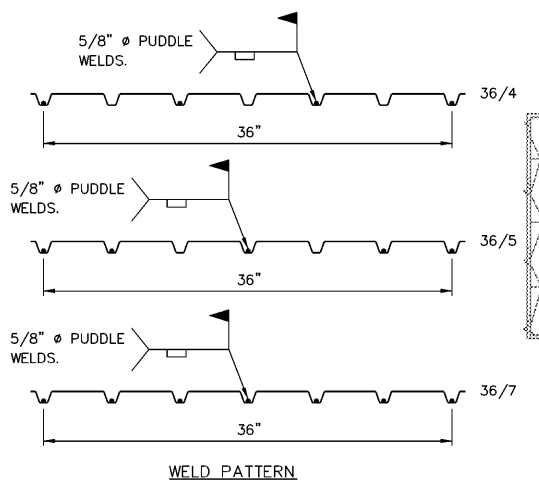
X' DIM. X' MEMBER

< 3'-0"	L3x3x 5/16
< 6'-0"	L4x3x 3/8 LLV
< 9'-0"	L4x4x 3/8

TYPICAL FRAMING AT ROOF OPENING FOR ROOF TOP UNITS

NOTES:
1). VERIFY ALL DIM. W/SUPPLIER BEFORE FABRICATION

2 RTU CURB AND FRAMING DETAILS
S3.1 SCALE: 3/4"=1'-0"



ROOF DECK ATTACHMENT NOTES:

- ATTACHMENT AT SUPPORTS SHALL BE WELDS.
- ATTACHMENT AT SIDE LAPS SHALL BE #10 TKS SUREWELDS.
- ATTACHMENT AROUND OPENINGS SHALL BE WELDS @ 6" o.c.
- ATTACHMENT AT SIDE SUPPORTS ALONG PERIMETER SHALL BE WELDS @ 6" o.c.
- MINIMUM ENDLAP 3" TYP.
- PROVIDE MIN. 2 SPAN FOR DECK, 3 WHEN POSSIBLE (SINGLE SPAN DECK NOT PERMITTED)

DECK ATTACHMENT SCHEDULE

ZONE	WELD PATTERN @ SUPPORT	SIDE LAP REQUIREMENTS
(A)	36/4	3 PER SPAN
(B)	36/5	6 PER SPAN
(C)	36/7	7 PER SPAN

3 WELD PATTERN FOR ROOF DECK
S3.1 SCALE: 3/4"=1'-0"

Order Plans

WWW.LDILine.com