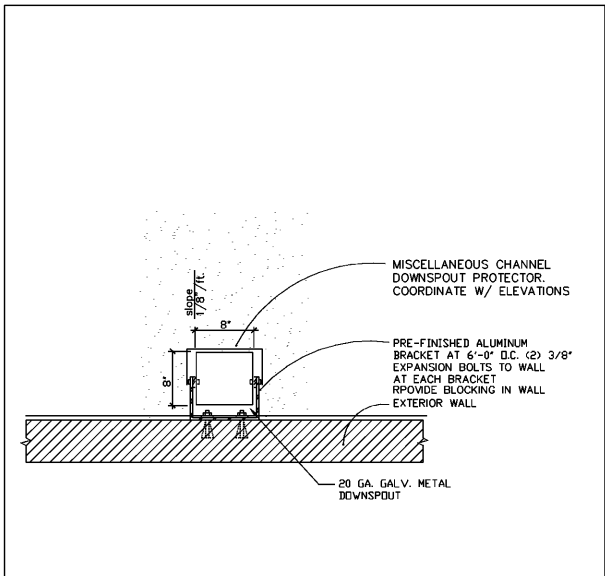
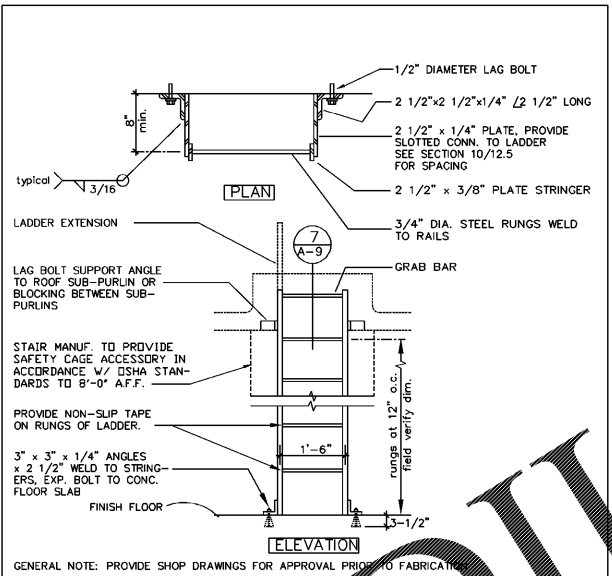


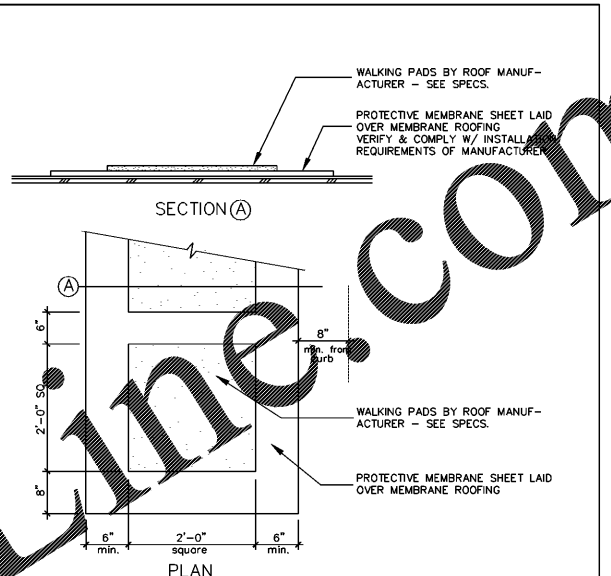
1 NOT USED SCALE: NONE



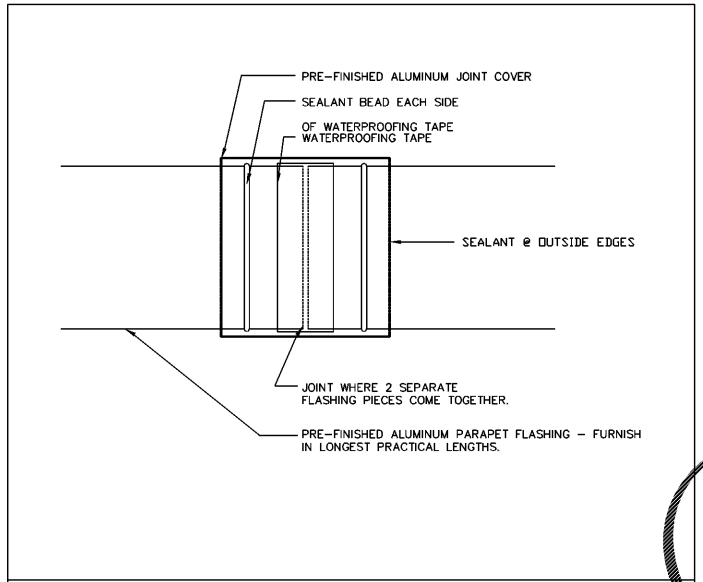
2 DOWNSPOUT / SPLASH BLOCK TYP. AT EACH DOWNSPOUT LOCATION SCALE: NONE



3 LADDER ELEVATION / PLAN SCALE: NONE



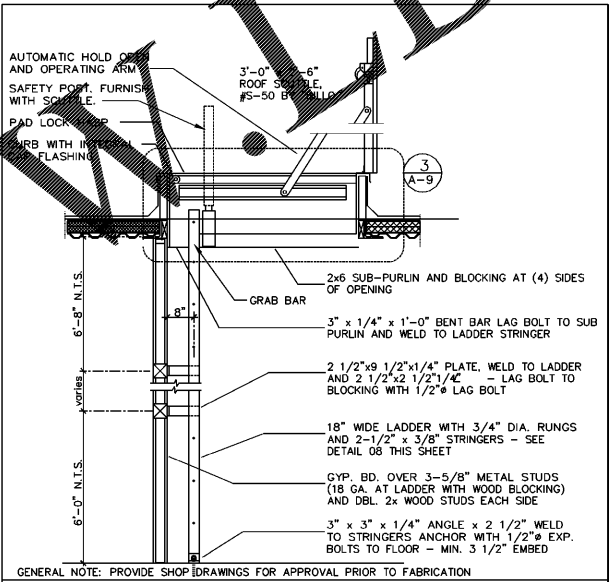
4 ROOF MEMBRANE WALKING PADS SCALE: NONE



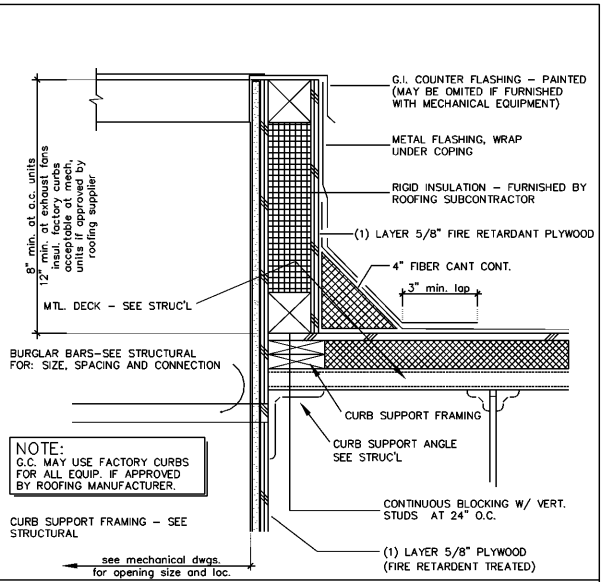
5 FLASHING SPLICE DETAIL



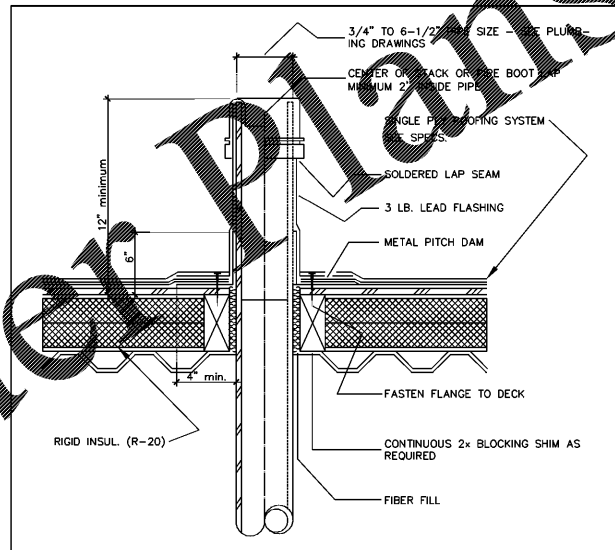
6 NOT USED



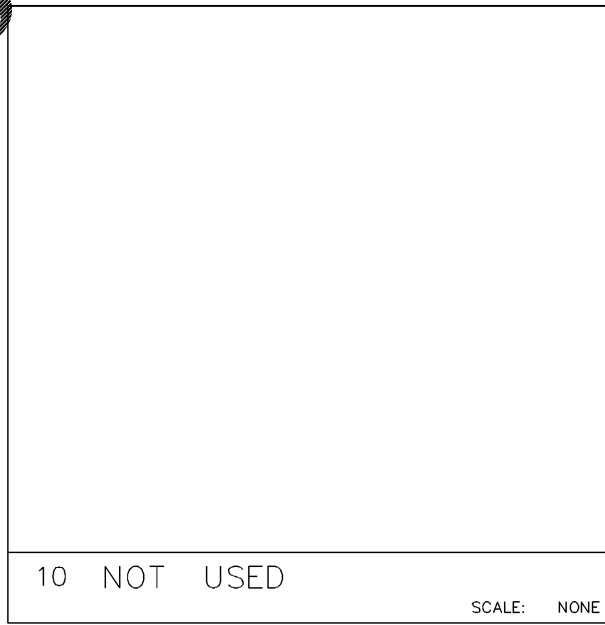
7 ROOF LADDER SECTION SCALE: NONE



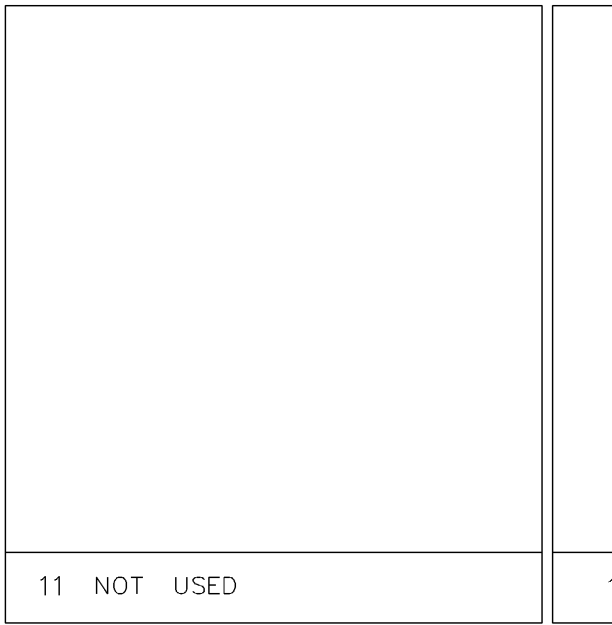
8 CURB AT MECH. OPENING SCALE: NONE



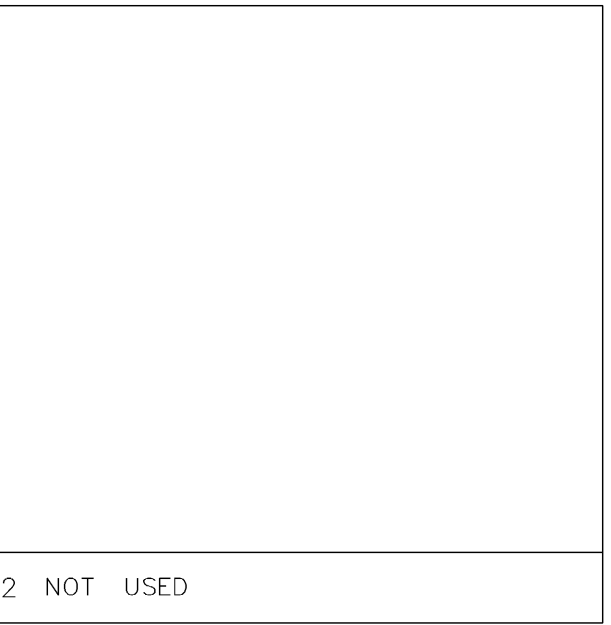
9 TYPICAL PIPE PENETRATION SCALE: NONE



10 NOT USED SCALE: NONE



11 NOT USED



12 NOT USED

Order Plans

@

WWW.WILLIAMSARCHITECT.COM

ROY WILLIAMS ARCHITECT, INC.
ARCHITECTURE * LAND PLANNING * GRAPHICS
6022 SAN JOSE BLVD., JACKSONVILLE, FL 32256
904-285-6338
904-285-6343

BRANAN FIELD WALK
MIDDLEBURG, FLORIDA
MISCELLANEOUS DETAILS

SEAL
Lic#AR0014813

DATE	DATE	DATE
REVISED FOR PERMITS	REVISED FOR PERMITS	REVISED FOR PERMITS
DATE	DATE	DATE

This drawing is an instrument of service and property of Roy Williams Architect, Inc. and shall remain their property. This use of this drawing shall be restricted to the project for which it is prepared and publication thereof is expressly limited to such use.

Date: 10/1/2018
Scale: NTS
Drawn: CM
Checked: RCW
Sheet No: A-9

NOT FOR CONSTRUCTION - DO NOT SCALE BLUEPRINTS