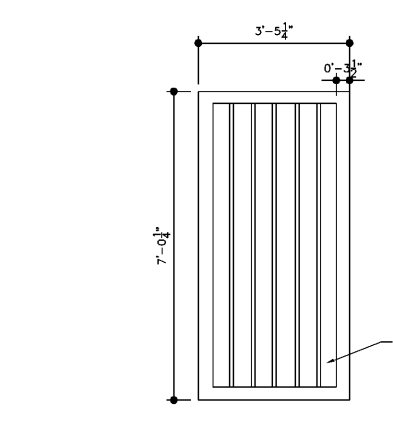
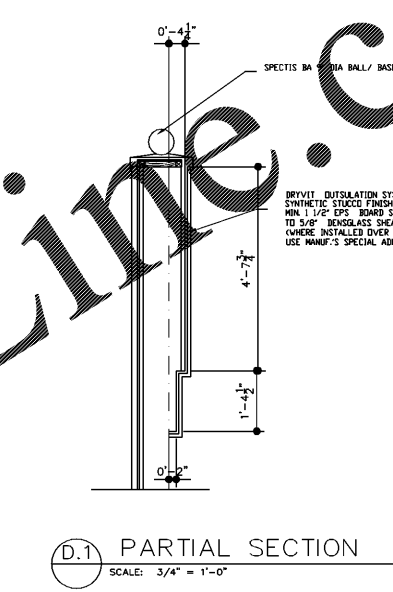
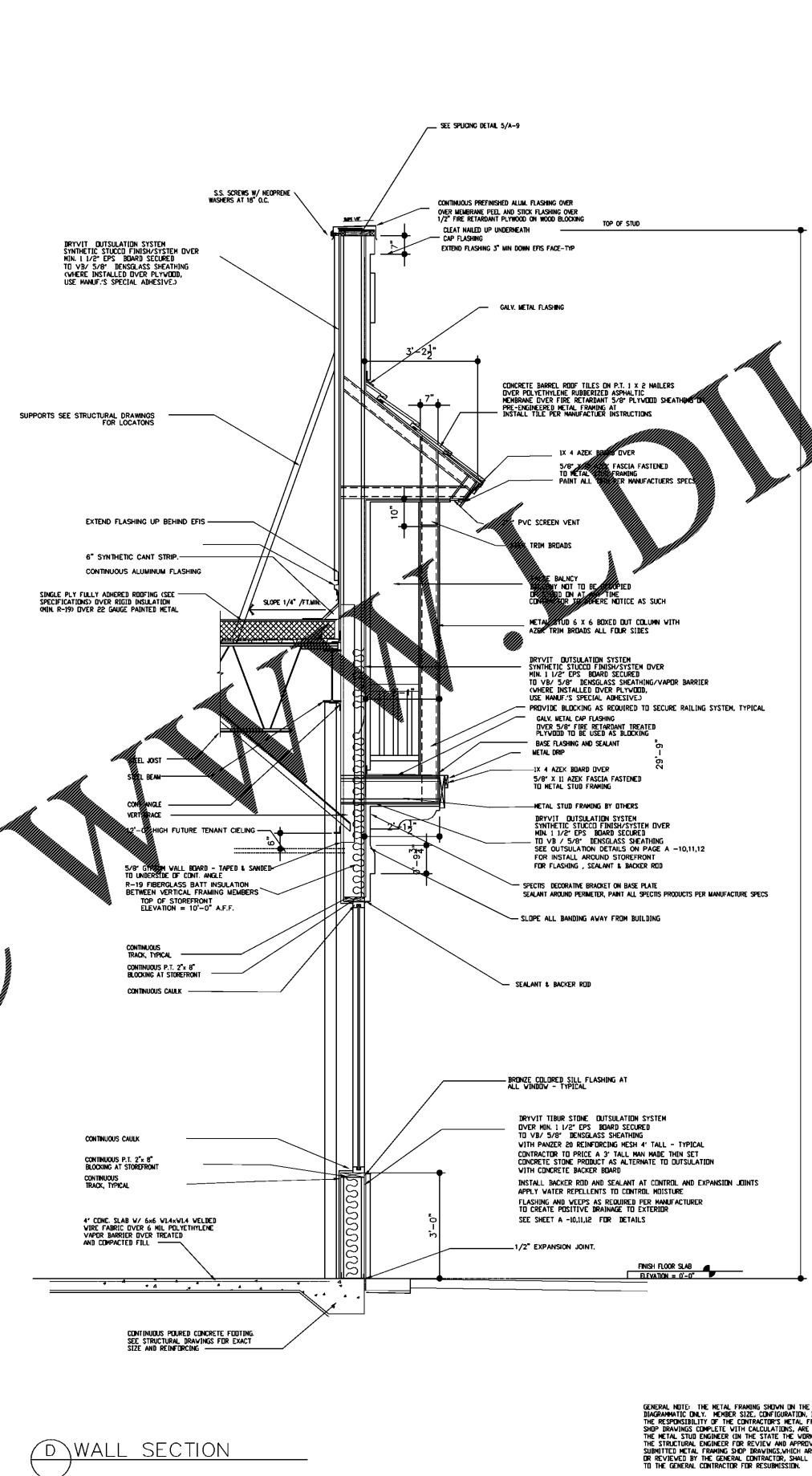
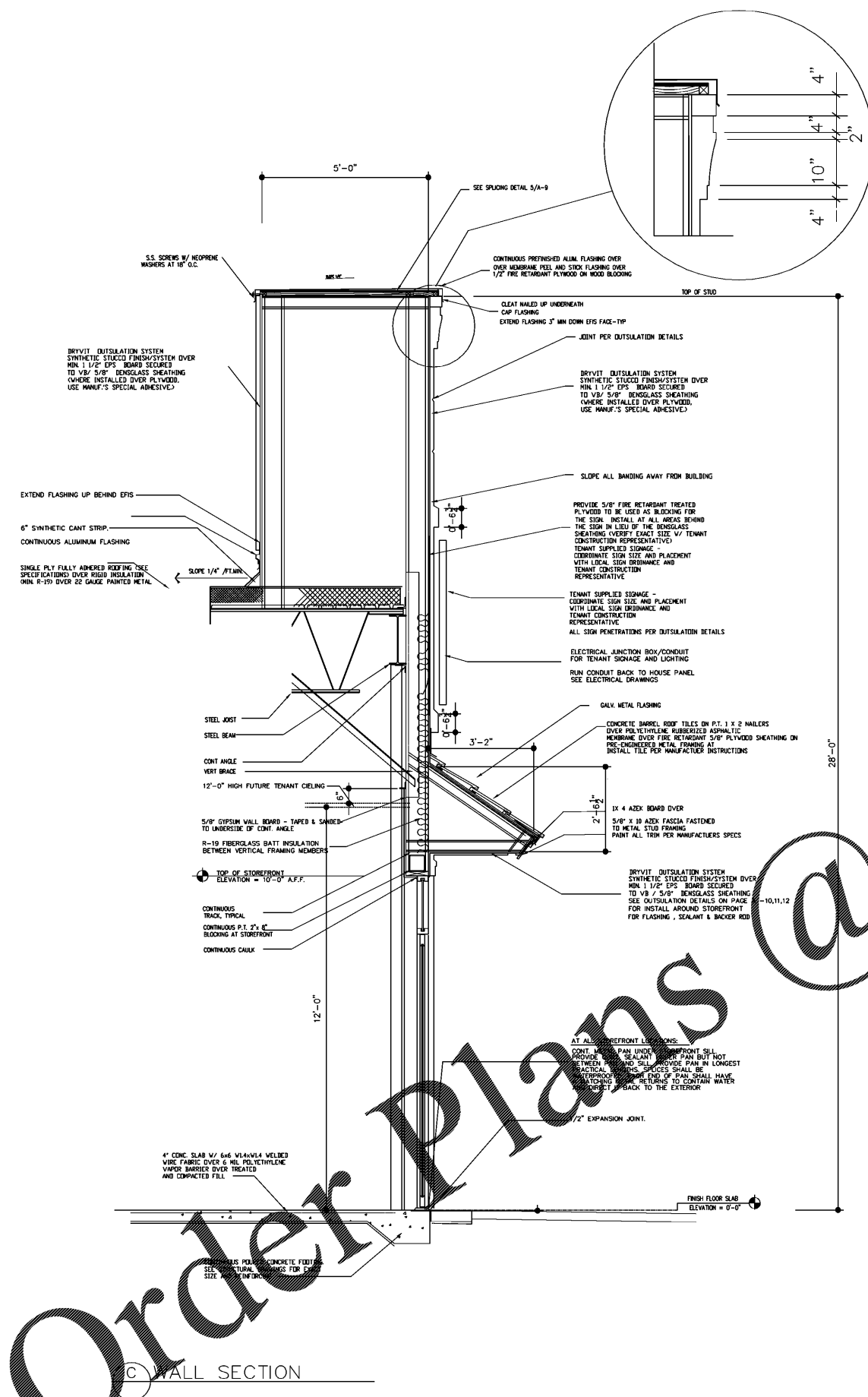


DATE	DATE	DATE	DATE
RELIEVED FOR BID	RELEASED FOR PERMIT	RELEASED FOR CONST.	REVISIONS:
NO.	DATE	NO.	DATE



Order Plans

© WALL SECTION

D WALL SECTION

GENERAL NOTE: THE METAL FRAMING SHOWN ON THE ARCHITECTURAL DRAWINGS IS DIAGRAMMATIC ONLY. MEMBER SIZE, CONFIGURATION, DETAILS AND CONNECTIONS ARE THE RESPONSIBILITY OF THE CONTRACTOR'S METAL FRAMING ENGINEER. METAL FRAMING SHOP DRAWINGS COMPLETE WITH CALCULATIONS ARE TO BE SIGNED AND SEALED BY THE METAL STUD ENGINEER ON THE STATE THE WORK IS OCCURRING AND SUBMITTED TO THE STRUCTURAL ENGINEER FOR REVIEW AND APPROVAL. ALL SUBMITTED METAL FRAMING SHOP DRAWINGS WHICH ARE NOT SIGNED AND SEALED AND/OR REVIEWED BY THE GENERAL CONTRACTOR, SHALL BE REJECTED AND RETURNED TO THE GENERAL CONTRACTOR FOR RESUBMISSION.