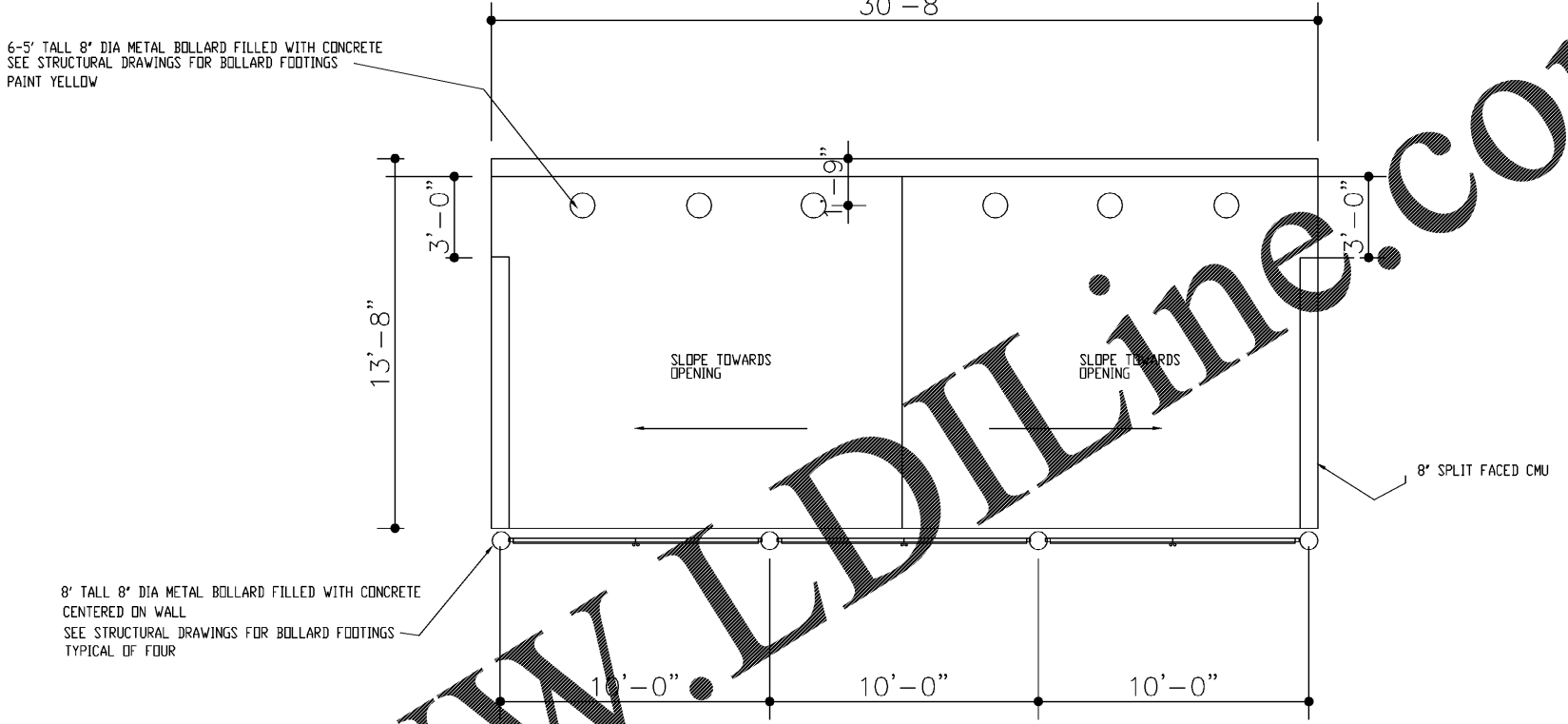
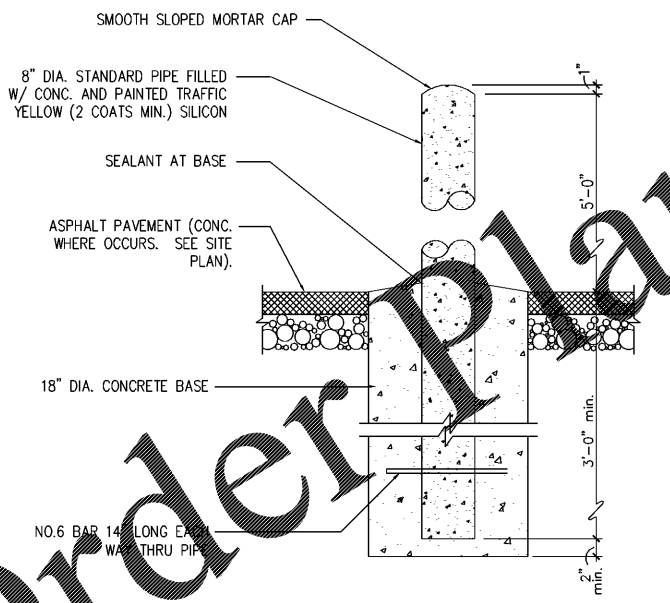


UTILITY SCREEN WALL DETAIL

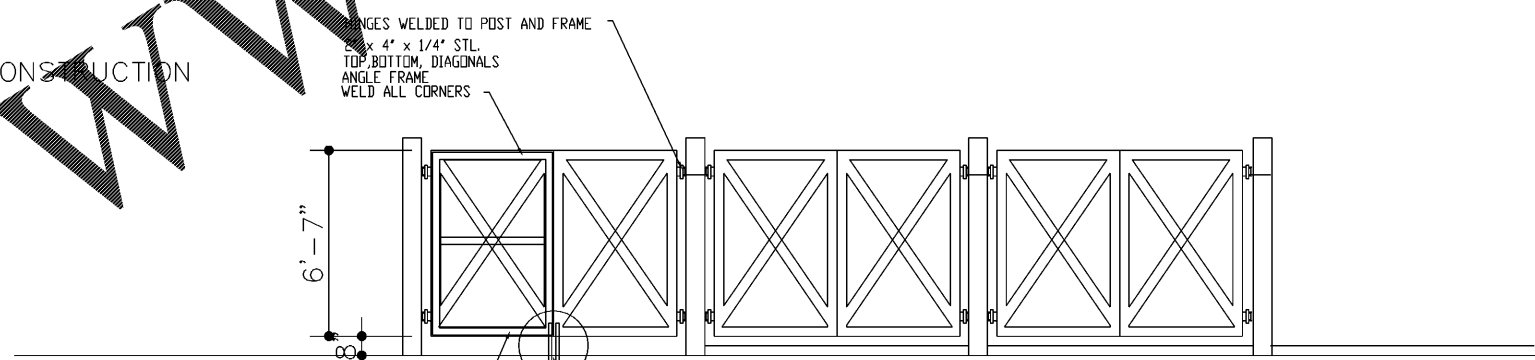


DUMPSTER WALL PLAN

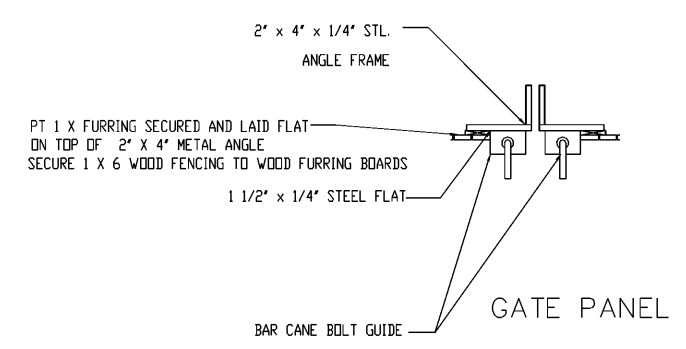


BOLLARD DETAIL

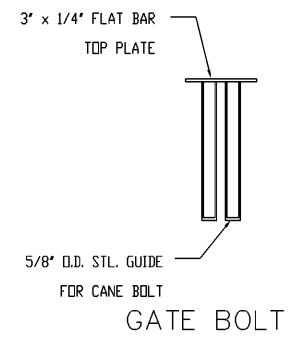
NOT FOR CONSTRUCTION



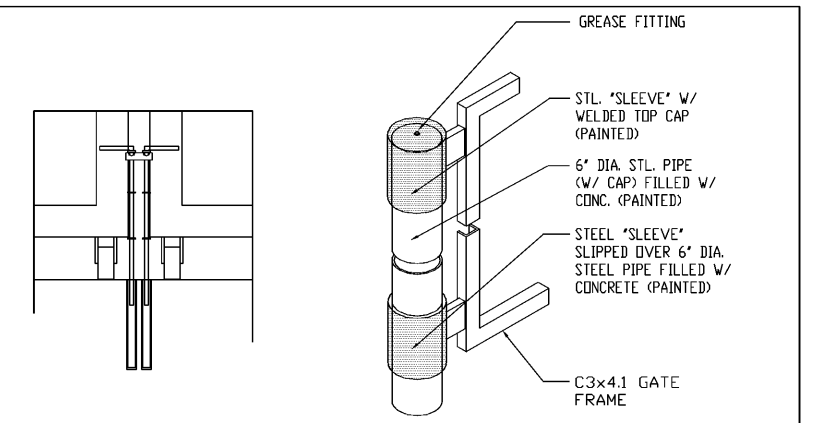
DUMPSTER ELEVATION



GATE PANEL



GATE BOLT



GATE HINGE

CONTRACTOR TO VERIFY DUMPSTER DIMENSIONS WITH CIVIL DRAWINGS AND DUMPSTER REQUIREMENTS PRIOR TO CONSTRUCTION

Order Plans @

WWW.LDIDLINE.COM

ROY WILLIAMS ARCHITECT (INC)
ARCHITECTURE * LAND PLANNING * GRAPHICS

BUILDING 1
BRANAN FIELD WALK
MIDDLEBURG, FLORIDA
DUMPSTER ENCLOSURE

SEAL
Lic#AR0014813

RELEASED FOR PERMIT	DATE	8/18/2015
RELEASED FOR CONST.	DATE	
NO.	DATE	
REVISIONS:		

This drawing is an instrument of service and shall remain the property of Roy Williams Architect. The use of this drawing shall be restricted to the original site for which it is prepared and publication thereof is expressly limited to such use.

Job No: 2018
Date: 10/1/2018
Scale: nts
Drawn:
Checked:
Sheet No:

D-1
- OF -

NOT FOR CONSTRUCTION - DO NOT SCALE BLUEPRINTS