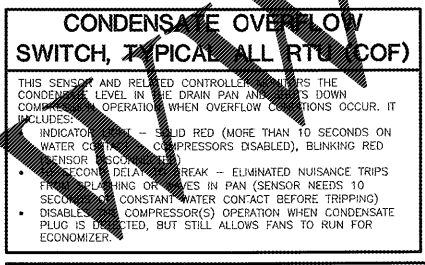
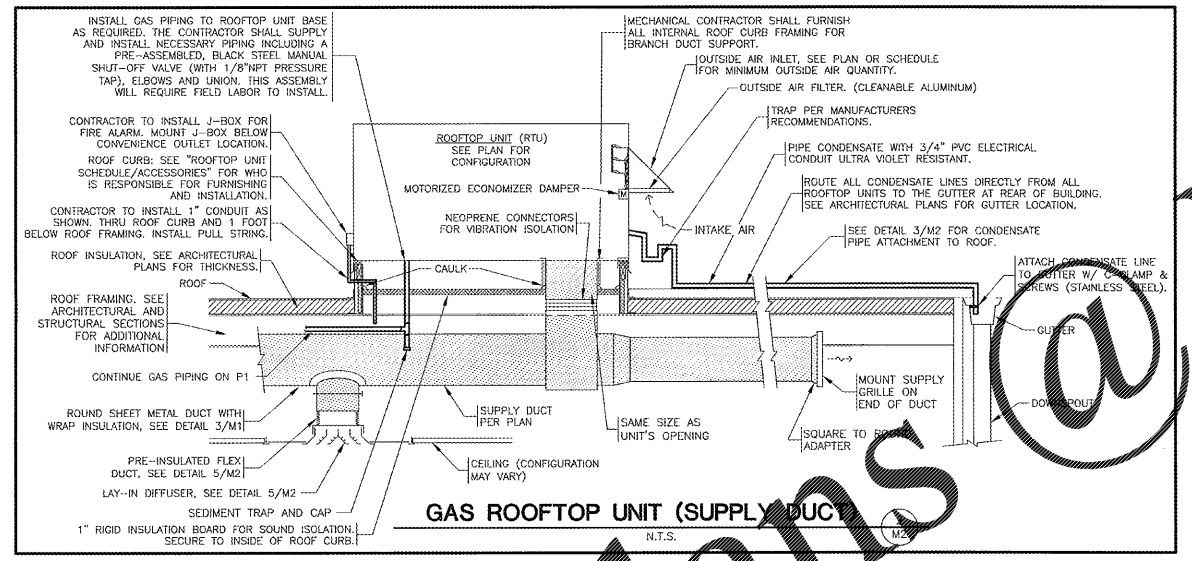
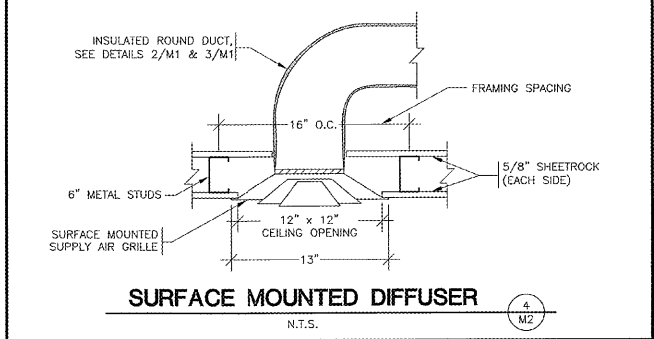
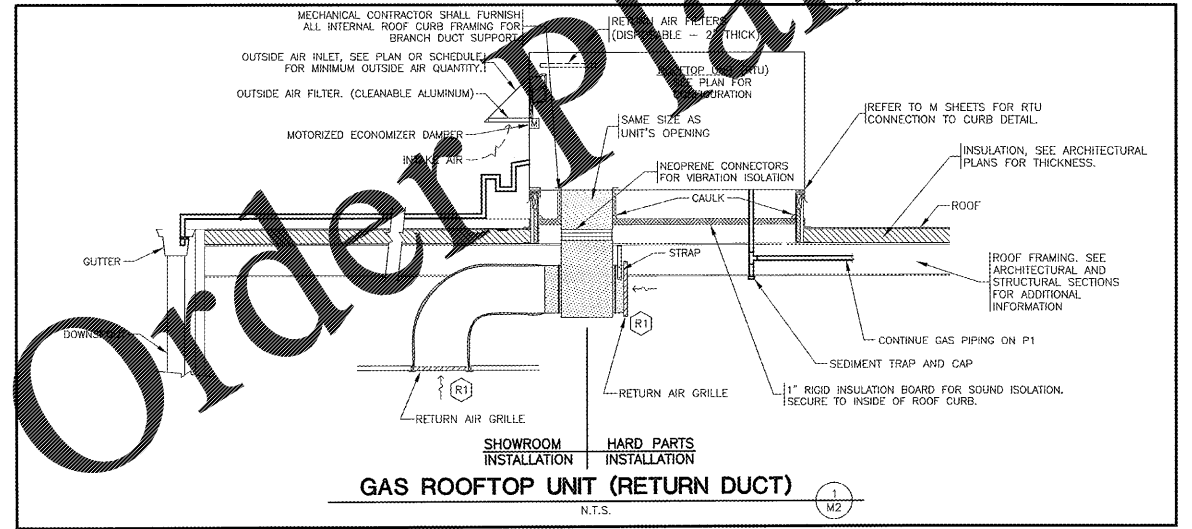


NATIONAL ACCOUNT - ROOFTOP UNIT SCHEDULE - 7.5 TON - GAS (3-PHASE) - BY O'REILLY																								
RTU - RESPONSIBILITIES										CALL THE CARRIER CUSTOMER SERVICE REP. BELOW FOR CONFIRMATION OF ORDERS. DO NOT CALL CARRIER FOR QUOTES!														
1.) ALL CARRIER HVAC UNITS ARE OWNER SUPPLIED BY O'REILLY AUTOMOTIVE. 2.) MECHANICAL CONTRACTOR IS RESPONSIBLE FOR THE INSTALLATION OF ALL CARRIER HVAC UNITS. 3.) MECHANICAL CONTRACTOR IS RESPONSIBLE FOR THE FIRST YEAR LABOR WARRANTY ON ALL OWNER SUPPLIED EQUIPMENT. 4.) MECHANICAL CONTRACTORS WORKING ON O'REILLY PROJECTS MUST CALL "CARRIER CORPORATION'S NATIONAL ACCOUNTS" DEPARTMENT FOR CONFIRMATION OF ORDERS ONLY! 5.) MECHANICAL CONTRACTOR IS RESPONSIBLE FOR SCHEDULING, SHIPPING & RECEIVING OF ALL CARRIER UNITS FROM CARRIER NATIONAL ACCOUNTS. CONTACT CUSTOMER SERVICE REP. LISTED TO THE RIGHT.										CARRIER CORPORATION, STRATEGIC ACCOUNTS, CARRIER PARKWAY, SYRACUSE, NEW YORK 13221 CUSTOMER SERVICE REPS: PAUL WITZ, MARIA CAMPANELLO 315-432-3946, Maria.campanello@carrier.utc.com ACCOUNT MANAGER: PAUL WITZ, CELL 315-317-2481, paul.witz@carrier.utc.com														
MARK	DESCRIPTION	MFR.	CATALOG NUMBER	HTG. MBH STAGE 1	HTG. MBH STAGE 2	TTL. HTG. IN/OUT	THERM. EFF.	CLG. MBH STAGE 1	CLG. MBH STAGE 2	TTL. COOL. TOT./SENS.	EER	EER	CFM	SUPPLY FAN O.A.	ESP	HP	ELECTRICAL MCA	MOC	WT. (lbs.)	ACCESSORIES	REMARKS	REF. DTL.		
RTU-1	WEATHERMASTER PACKAGED ROOFTOP UNIT 7.5-TON	CARRIER	48HCROD6K2M5-0F1D0	120/98	60/50	180/148	82%	46.5/36	46.5/36	93/72	13.00	12.00	3000	0.6	1.50	1.50	41	50"	1172	SEE BELOW	△△△	1/M2		
ACCESSORIES - FACTORY SUPPLIED AND INSTALLED										ACCESSORIES - FACTORY SUPPLIED & FIELD INSTALLED														
HE - STAINLESS STEEL GAS HEAT EXCHANGER (MEDIUM HEAT) (15 YR. WARRANTY). SD - RETURN AIR SMOKE DETECTOR. COF - CONDENSATE OVERFLOW SWITCH (CAN'T BE USED WITH HORIZONTAL RETURN UNITS). MB - MEDIUM STATIC BLOWER (SINGLE SPEED). HG - LOUVERED HALL GUARDS. UPO - UN-POWERED CONVENIENCE OUTLET (FIELD POWERED), 15AMP, 120V, GROUND FAULT CIRCUIT INTERRUPTER (GFCI) TYPE. TBREG - THRU-THE-BOTTOM-ELECTRIC & GAS SERVICES. (SEE ROOF TOP UNIT DETAILS). SS - HI & LOW REFRIGERANT SAFETY SWITCHES. (STANDARD ON EVERY UNIT). AF - 2" RETURN AIR FILTERS. (STANDARD ON EVERY UNIT). EC - ENTHALPY ECONOMIZER, W/BAROMETRIC RELIEF.										CO2 - CO2 SENSOR, WALL MOUNT, #33ZCSPFC02LCD-01 RTRS - REMOTE TEST/RESET STATION, CARRIER #50-TRM4(CRSDETST001400) FOR REMOTE TESTING/RESETTING OF DUCT SMOKE DETECTOR. SEE HVAC PLAN FOR MOUNTING LOCATIONS. HSA - ALARM/STROBE, CARRIER #6536-G5(CRSDHNSB001A00), AUDIBLE/VISUAL SIGNAL DEVICE FOR SIGNALING ALARM OF DUCT SMOKE DETECTOR. SEE HVAC PLAN FOR MOUNTING LOCATIONS.														
ACCESSORIES - O'REILLY SUPPLIED & FIELD INSTALLED										ACCESSORIES - FIELD SUPPLIED & FIELD INSTALLED														
TS1 - GRIDPOINT THERMOSTAT (NO SUBSTITUTIONS). REFER TO EM SHEETS. DS - NON-FUSED DISCONNECT SWITCH (GRAYBAR/O'REILLY) SUPPLIED W/ ELECTRICAL BILL OF MATERIALS.										RC1 - ROOF CURB (12" STANDARD, 14" IN EXTREME SNOW DRIFT AREA'S) ON NEW BUILDING, ROOF CURB IS BY BUILDING MANUFACTURER. ON EXISTING BUILDING, ROOF CURB IS BY GENERAL CONTRACTOR. WEIGHT OF ROOF CURB IS NOT INCLUDED IN THE WEIGHT ABOVE.														
REMARKS																								
△ COOLING CAPACITY BASED ON 80°F EDB AND 67°F EWB.										△ FACTORY EQUIPPED WITH STANDARD LOW AMBIENT COOLING TO 35°F ODB.														
△ CAPACITY BASED ON 95°F AMBIENT TEMPERATURE.										△ OUTSIDE AIR, SEE PLAN FOR UNIT(S) REQUIRING OUTSIDE AIR.														
△ NOTE HVAC COMPLETION, AT CONSTRUCTION COMPLETION: 1. CONTRACTOR SHALL REPLACE ALL RETURN AIR FILTERS INSIDE ALL HVAC UNITS W/CLEAN NEW AIR FILTERS. 2. CONTRACTOR SHALL SUPPLY AN ADDITIONAL CLEAN SET OF FILTERS TO THE OWNER AT JOB COMPLETION. 3. CONTRACTOR SHALL SHOW THE STORE MANAGER THE LOCATION OF & INSTRUCT HIM/HER HOW TO CHANGE ALL AIR FILTERS.																								

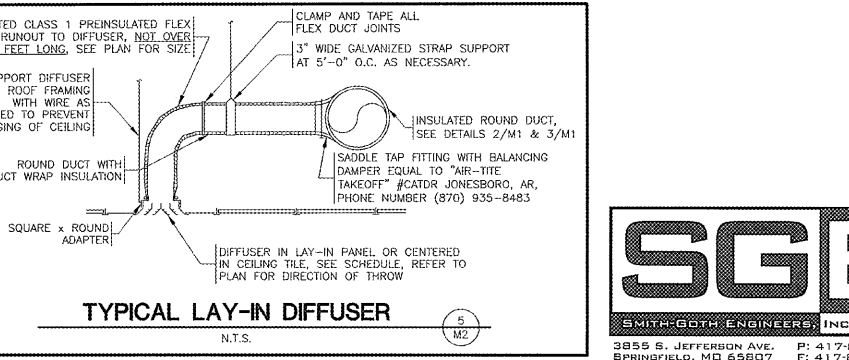
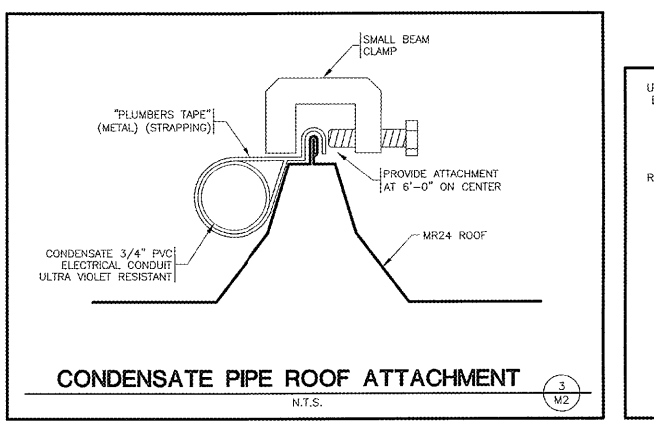
NATIONAL ACCOUNT ROOFTOP UNIT SCHEDULE - 5 TON - GAS (3-PHASE) - BY O'REILLY																								
RTU - RESPONSIBILITIES										CALL THE CARRIER CUSTOMER SERVICE REP. BELOW FOR CONFIRMATION OF ORDERS. DO NOT CALL CARRIER FOR QUOTES!														
1.) ALL CARRIER HVAC UNITS ARE OWNER SUPPLIED BY O'REILLY AUTOMOTIVE. 2.) MECHANICAL CONTRACTOR IS RESPONSIBLE FOR THE INSTALLATION OF ALL CARRIER HVAC UNITS. 3.) MECHANICAL CONTRACTOR IS RESPONSIBLE FOR THE FIRST YEAR LABOR WARRANTY ON ALL OWNER SUPPLIED EQUIPMENT. 4.) MECHANICAL CONTRACTORS WORKING ON O'REILLY PROJECTS MUST CALL "CARRIER CORPORATION'S NATIONAL ACCOUNTS" DEPARTMENT FOR CONFIRMATION OF ORDERS ONLY! 5.) MECHANICAL CONTRACTOR IS RESPONSIBLE FOR SCHEDULING, SHIPPING & RECEIVING OF ALL CARRIER UNITS FROM CARRIER NATIONAL ACCOUNTS. CONTACT CUSTOMER SERVICE REP. LISTED TO THE RIGHT.										CARRIER CORPORATION, STRATEGIC ACCOUNTS, CARRIER PARKWAY, SYRACUSE, NEW YORK 13221 CUSTOMER SERVICE REPS: PAUL WITZ, MARIA CAMPANELLO 315-432-3946, Maria.campanello@carrier.utc.com ACCOUNT MANAGER: PAUL WITZ, CELL 315-317-2481, paul.witz@carrier.utc.com														
MARK	DESCRIPTION	MFR.	CATALOG NUMBER	HTG. MBH STAGE 1	HTG. MBH STAGE 2	TTL. HTG. IN/OUT	THERM. EFF.	CLG. MBH STAGE 1	CLG. MBH STAGE 2	TTL. COOL. TOT./SENS.	EER	EER	CFM	SUPPLY FAN O.A.	ESP	HP	ELECTRICAL V/PH	MCA	MOC	WT. (lbs.)	ACCESSORIES	REMARKS	REF. DTL.	
RTU-3	WEATHERMASTER PACKAGED ROOFTOP UNIT 5-TON	CARRIER	48HC7AD6K2M5-0F1D0	120/98	30/24	150/120	80%	60.4	48.0	15.20	12.45	2000	0.6	1.50	1.50	208/36	30	45"	750	SEE BELOW	△△△	1/M2		
ACCESSORIES - FACTORY SUPPLIED AND INSTALLED										ACCESSORIES - FACTORY SUPPLIED & FIELD INSTALLED														
HE - STAINLESS STEEL GAS HEAT EXCHANGER (HIGH HEAT) (15 YR. WARRANTY). SD - RETURN AIR SMOKE DETECTOR. COF - CONDENSATE OVERFLOW SWITCH (CAN'T BE USED WITH HORIZONTAL RETURN UNITS). MB - MEDIUM STATIC BLOWER (SINGLE SPEED). HG - LOUVERED HALL GUARDS. UPO - UN-POWERED CONVENIENCE OUTLET (FIELD POWERED), 15AMP, 120V, GROUND FAULT CIRCUIT INTERRUPTER (GFCI) TYPE. TBREG - THRU-THE-BOTTOM-ELECTRIC & GAS SERVICES. (SEE ROOF TOP UNIT DETAILS). SS - HI & LOW REFRIGERANT SAFETY SWITCHES. (STANDARD ON EVERY UNIT). AF - 2" RETURN AIR FILTERS. (STANDARD ON EVERY UNIT). EC - ENTHALPY ECONOMIZER, W/BAROMETRIC RELIEF.										CO2 - CO2 SENSOR, WALL MOUNT, #33ZCSPFC02LCD-01 RTRS - REMOTE TEST/RESET STATION, CARRIER #50-TRM4(CRSDETST001400) FOR REMOTE TESTING/RESETTING OF DUCT SMOKE DETECTOR. SEE HVAC PLAN FOR MOUNTING LOCATIONS. HSA - ALARM/STROBE, CARRIER #6536-G5(CRSDHNSB001A00), AUDIBLE/VISUAL SIGNAL DEVICE FOR SIGNALING ALARM OF DUCT SMOKE DETECTOR. SEE HVAC PLAN FOR MOUNTING LOCATIONS.														
ACCESSORIES - O'REILLY SUPPLIED & FIELD INSTALLED										ACCESSORIES - FIELD SUPPLIED & FIELD INSTALLED														
TS1 - GRIDPOINT THERMOSTAT (NO SUBSTITUTIONS). REFER TO EM SHEETS. DS - NON-FUSED DISCONNECT SWITCH (GRAYBAR/O'REILLY) SUPPLIED W/ ELECTRICAL BILL OF MATERIALS.										RC1 - ROOF CURB (12" STANDARD, 14" IN EXTREME SNOW DRIFT AREA'S) ON NEW BUILDING, ROOF CURB IS BY BUILDING MANUFACTURER. ON EXISTING BUILDING, ROOF CURB IS BY GENERAL CONTRACTOR. WEIGHT OF ROOF CURB IS NOT INCLUDED IN THE WEIGHT ABOVE.														
REMARKS																								
△ COOLING CAPACITY BASED ON 80°F EDB AND 67°F EWB.										△ FACTORY EQUIPPED WITH STANDARD LOW AMBIENT COOLING TO 35°F ODB.														
△ CAPACITY BASED ON 95°F AMBIENT TEMPERATURE.										△ OUTSIDE AIR, SEE PLAN FOR UNIT(S) REQUIRING OUTSIDE AIR.														
△ NOTE HVAC COMPLETION, AT CONSTRUCTION COMPLETION: 1. CONTRACTOR SHALL REPLACE ALL RETURN AIR FILTERS INSIDE ALL HVAC UNITS W/CLEAN NEW AIR FILTERS. 2. CONTRACTOR SHALL SUPPLY AN ADDITIONAL CLEAN SET OF FILTERS TO THE OWNER AT JOB COMPLETION. 3. CONTRACTOR SHALL SHOW THE STORE MANAGER THE LOCATION OF & INSTRUCT HIM/HER HOW TO CHANGE ALL AIR FILTERS.																								



FAN SCHEDULE														
MARK	DESCRIPTION	MFR.	CATALOG NUMBER	CFM (NOM)	STATIC PRESS.	MOTOR H.P.	V/PH	MCA	MOC	ACCESSORIES	REMARKS	REF. DETAIL		
EF-1	INLINE EXHAUST FAN	COOK	GN-642	500	0.1	195W	120/1	-	-	BD,DS,WC	△△△	-		
EF-2	INLINE FAN	COOK	GN-642	500	0.1	195W	120/1	-	-	BD,DS,SS	△	-		
ACCESSORIES										REMARKS				
BD - GRAVITY BACK DRAFT DAMPER DS - DISCONNECT SWITCH WC - WALL CAP, "COOK" #WCA-5, ALUMINUM SS - FAN SPEED SWITCH "COOK" #FSC (OFFICE ONLY)										△ ADJUST FOR CFM REQUIRED. △ EXHAUST FAN SHALL BE WIRED BY THE ELECTRICAL CONTRACTOR TO OPERATE WITH EITHER RESTROOM'S LIGHT SWITCH. △ FAN IN OFFICE TO BE CONTROLLED BY FAN SPEED SWITCH.				
APPROVED ALTERNATE MANUFACTURER'S										*GREENHECK *CARNES				



GRILLE AND DIFFUSER SCHEDULE														
MARK	DESCRIPTION	MFR.	CATALOG NUMBER	SIZE (in.)	FINISH	MOUNTING	BRANCH DUCT SIZE	ACCESSORIES	REMARKS	REF. DETAIL				
(G1)	SUPPLY GRILLE	ANEMOSTAT	S2HD	14x14	WHITE	DUCT	SEE PLAN	OB	△	-				
(S1)	SUPPLY DIFFUSER	ANEMOSTAT	E-1-D	12x12	WHITE	SURFACE	SEE PLAN	DT	△△△	4/M2				
(S2)	SUPPLY DIFFUSER	ANEMOSTAT	EPL	24x24	WHITE	DUCT/LAY-IN	SEE PLAN	-	△	5/M2				
(R1)	RETURN GRILLE	ANEMOSTAT	CC5	24x24	WHITE	LAY-IN/EXPOSED	SEE PLAN	-	NON-FILTERED GRILLE	5/M2				
(R2)	RETURN GRILLE	ANEMOSTAT	GC5	12x12	WHITE	SURFACE	SEE PLAN	-	NON-FILTERED GRILLE	4/M2				
(E1)	EXHAUST GRILLE	ANEMOSTAT	S3HS	12x12	WHITE	CEILING	SEE PLAN	OB	-	-				
ACCESSORIES										REMARKS				
OB - OPPOSED BLADE DAMPER, DIRECTIONAL TABS.										△ 1-WAY △ 4-WAY △ DIRECTIONAL TABS, ADJUST TO PROVIDE THROW AS INDICATED ON PLANS.				
APPROVED ALTERNATE MANUFACTURER'S										*TITUS *ARROW *KRUEGER				



1736 East Sunshine, Inc 417
Springfield, Missouri 65804
417.862.1100
Fax: 417.862.2265
e-mail: architect@esterlyarchitect.com

ESTERLY ARCHITECTS & ASSOCIATES, INC.
architects & planners
AIA

PROJECT:
NEW O'REILLY AUTO PARTS STORE
U.S. HWY 64
SOMERVILLE, TN
HVAC SCHEDULES

O'Reilly AUTO PARTS
CORPORATE OFFICES
1000 N. MISSOURI
SPRINGFIELD, MISSOURI 65802
(417) 882-2874 TELEPHONE

COMM # 4231
DATE: 09-11-18
REVISION
DATE:

