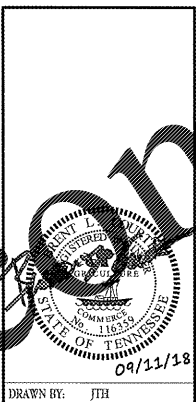
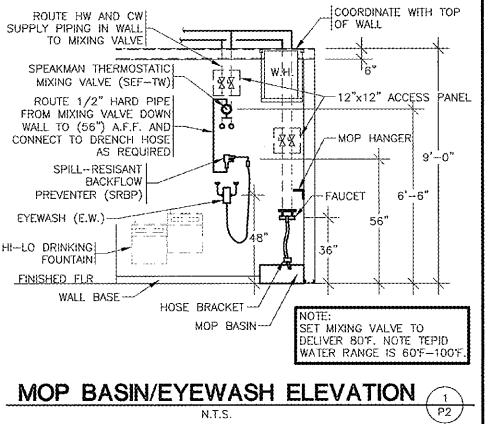
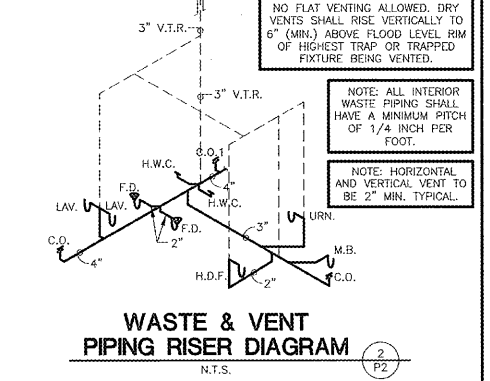
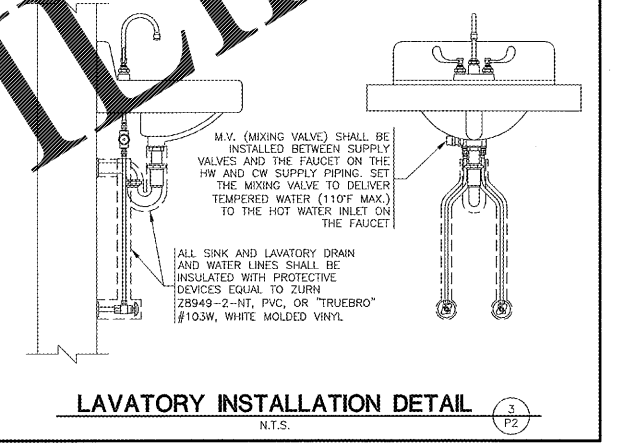
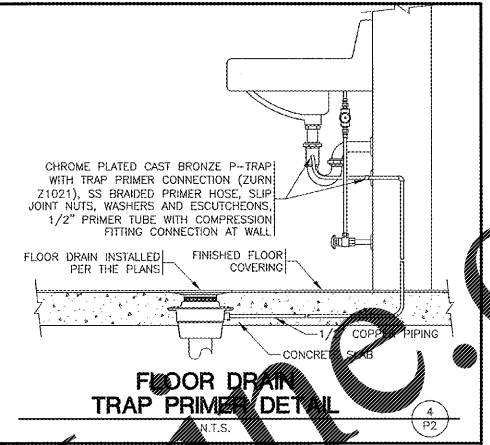
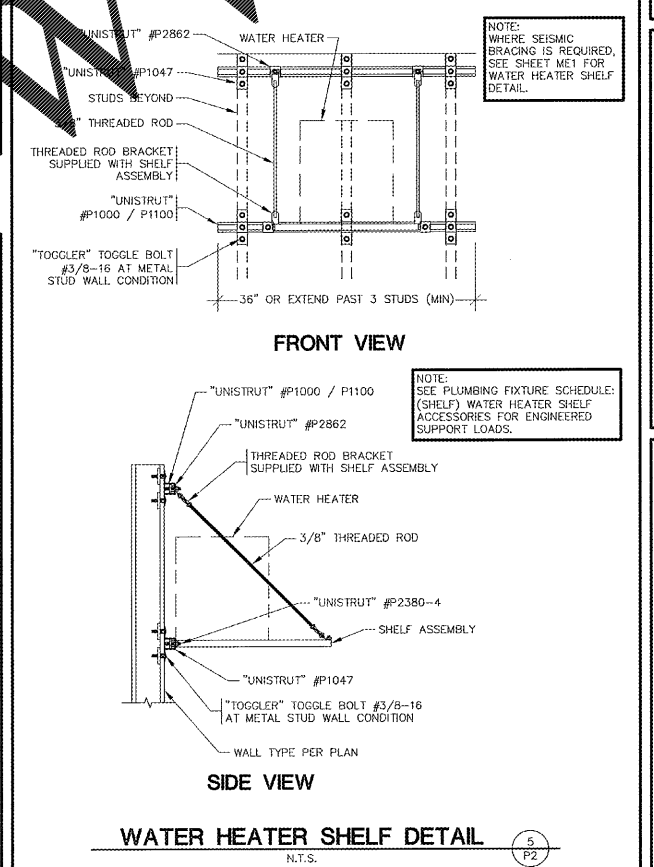
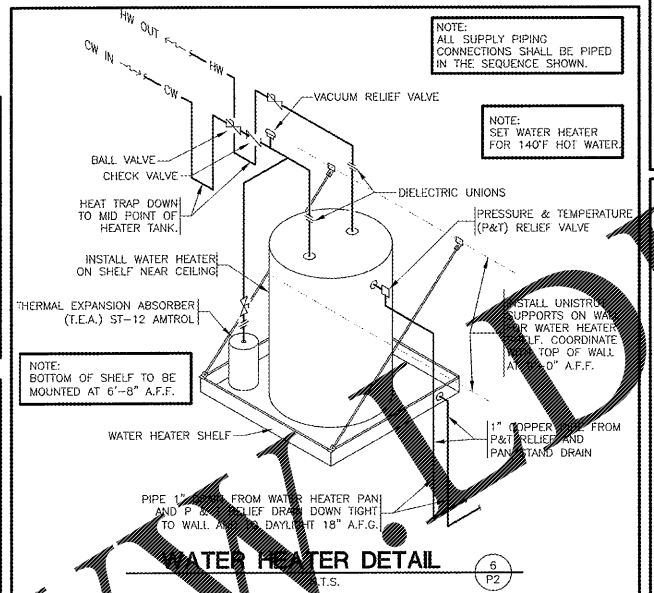
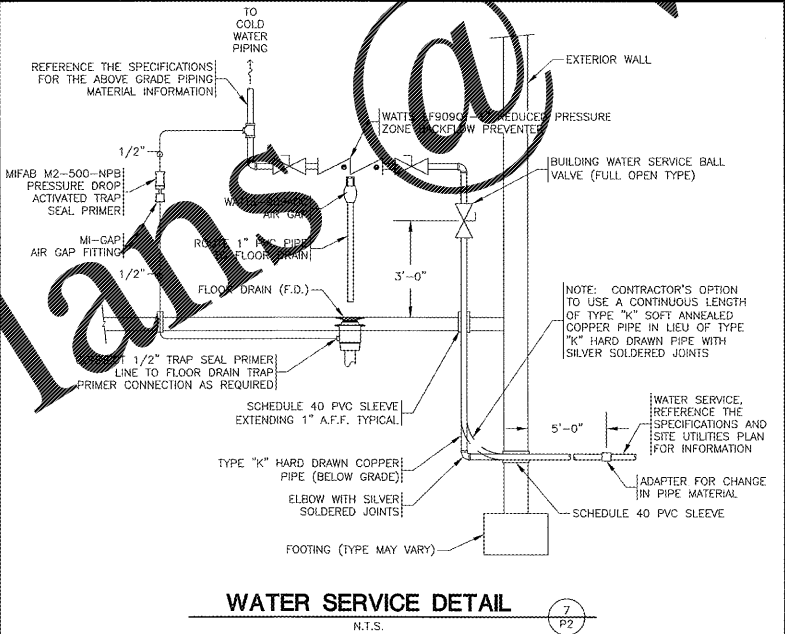
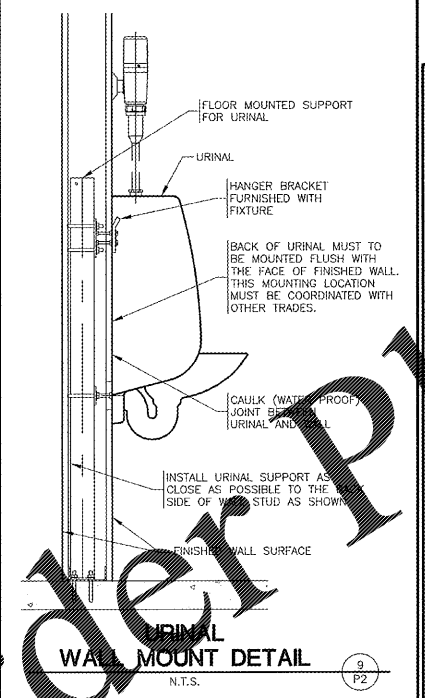
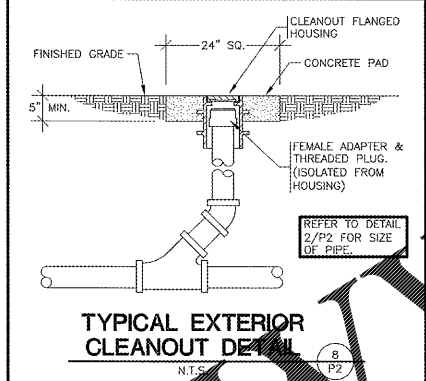


PLUMBING CALCULATIONS

FIXTURE	QUANTITY	TOTAL-SFU	TOTAL	TOTAL-HW	TOTAL	DFU	TOTAL
W.C. (TANK)	2	5	10	0	0	4	8
URN. (URINAL)	1	5	5	0	0	4	4
LAV. (LAVATORY)	2	2	4	1.5	3.00	2	4
M.B. (MOP BASIN)	1	3	3	1.5	1.50	2	2
H.D.F. (FOUNTAIN)	1	0.25	0.25	0	0	0.5	0.50
H.B. (HOSE BIBB)	2	3	6	0	0	0	0
TOTAL		28.25	TOTAL	4.50	TOTAL	18.50	
TOTAL CW GPM	20	AVERAGE DAILY FLOW = 125 gal/DAY					
COLD WATER SERVICE SIZE	1"						



1736 East Sunshine, P.O. Box 417
 Springfield, Missouri 65901
 417.862.2200
 Fax: 417.862.3265
 e-mail: architect@esterlytschneider.com

ESTERLY & SCHNEIDER ASSOCIATES, INC.
 AIA architects & planners

PROJECT: **NEW O'REILLY AUTO PARTS STORE**
U.S. HWY 64
SOMERVILLE, TN
PLUMBING DETAILS

O'Reilly AUTO PARTS
 CORPORATE OFFICES
 235 SOUTH PATTERSON
 SPRINGFIELD, MISSOURI 65802
 (417) 862-2674 TELEPHONE

COMM # 4231
 DATE: 09-11-18
 REVISION
 DATE:

