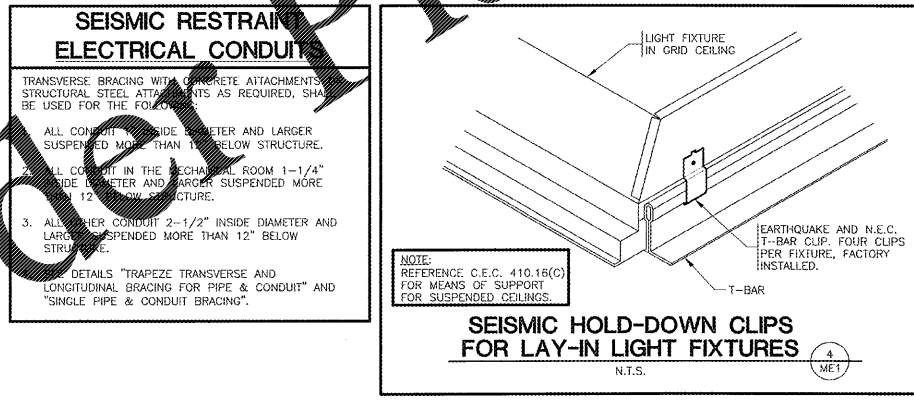
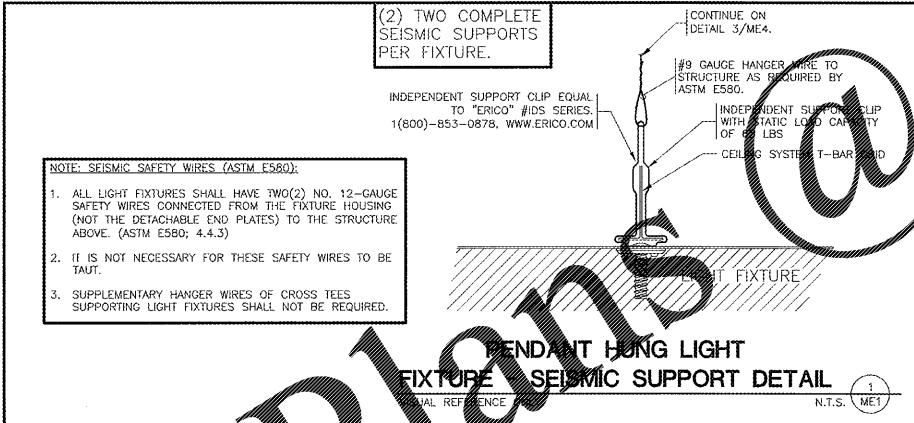
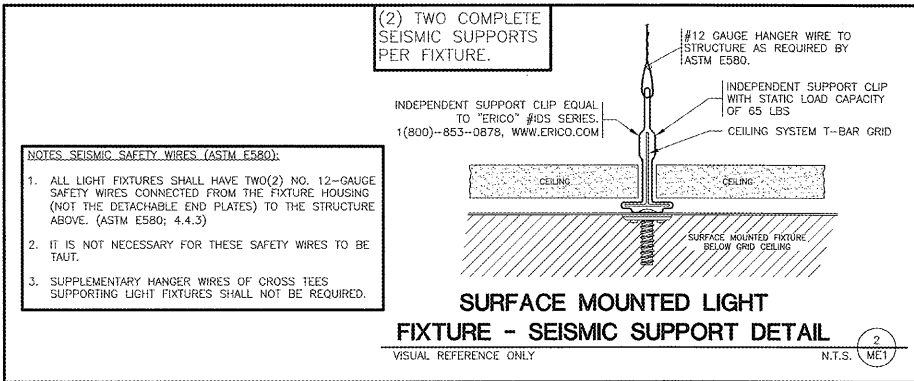
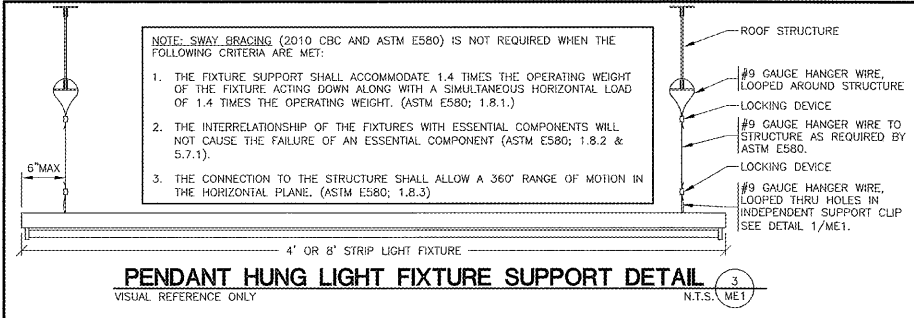


# ELECTRICAL

**CONTRACTOR TO REFER TO ARCHITECTURAL SHEET G1.1 FOR SEISMIC DESIGN CATEGORY. SEISMIC RESTRAINTS (ONLY REQUIRED FOR SEISMIC DESIGN CATEGORIES C,D,E,F)**

CONTRACTOR TO PROVIDE SEISMIC BRACING AS REQUIRED BY CODE.  
 IF SEISMIC BRACING IS REQUIRED SEE BRACING DETAILS THIS SHEET.



# HVAC

**CONTRACTOR TO REFER TO ARCHITECTURAL SHEET G1.1 FOR SEISMIC DESIGN CATEGORY. SEISMIC RESTRAINTS (ONLY REQUIRED FOR SEISMIC DESIGN CATEGORIES C,D,E,F)**

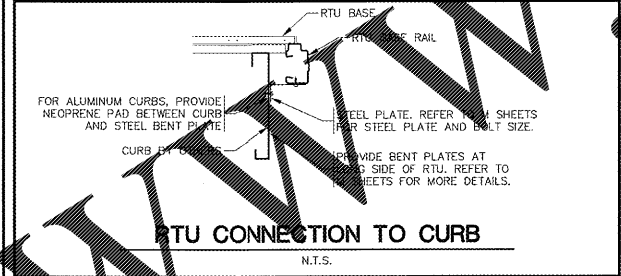
CONTRACTOR TO PROVIDE SEISMIC BRACING AS REQUIRED BY CODE.  
 IF SEISMIC BRACING IS REQUIRED SEE BRACING DETAILS THIS SHEET.

1. ALL PIPING WHICH REQUIRES RESTRAINT SHALL BE PROVIDED WITH SEISMIC EXPANSION DEVICES.
2. BRANCH OR MAIN PIPE BRACING SHALL BE ATTACHED TO WEB OF ROOF PURLIN WITHIN 1-1/2" OF TOP FLANGE.
3. SEE DETAILS "TRAPEZE TRANSVERSE AND LONGITUDINAL BRACING FOR PIPE & CONDUIT" AND "SINGLE PIPE & CONDUIT BRACING".

## SEISMIC RESTRAINT

TRANSVERSE BRACING WITH CONCRETE ATTACHMENTS OR STRUCTURAL STEEL ATTACHMENTS AS REQUIRED, SHALL BE USED FOR THE FOLLOWING:

1. ALL PIPE 1" INSIDE DIAMETER AND LARGER SUSPENDED MORE THAN 12" BELOW STRUCTURE.
2. ALL PIPING IN THE MECHANICAL ROOM 1-1/4" INSIDE DIAMETER AND LARGER SUSPENDED MORE THAN 12" BELOW STRUCTURE.
3. ALL OTHER PIPING 2-1/2" INSIDE DIAMETER AND LARGER SUSPENDED MORE THAN 12" BELOW STRUCTURE.
4. ALL RECTANGULAR AIR DUCTS WITH CROSS SECTIONAL AREA OF 6 SQUARE FEET OR LARGER SUSPENDED MORE THAN 12" BELOW STRUCTURE.
5. ALL PIPING WHICH REQUIRES RESTRAINT PER THE ABOVE SHALL BE PROVIDED WITH SEISMIC EXPANSION DEVICES.

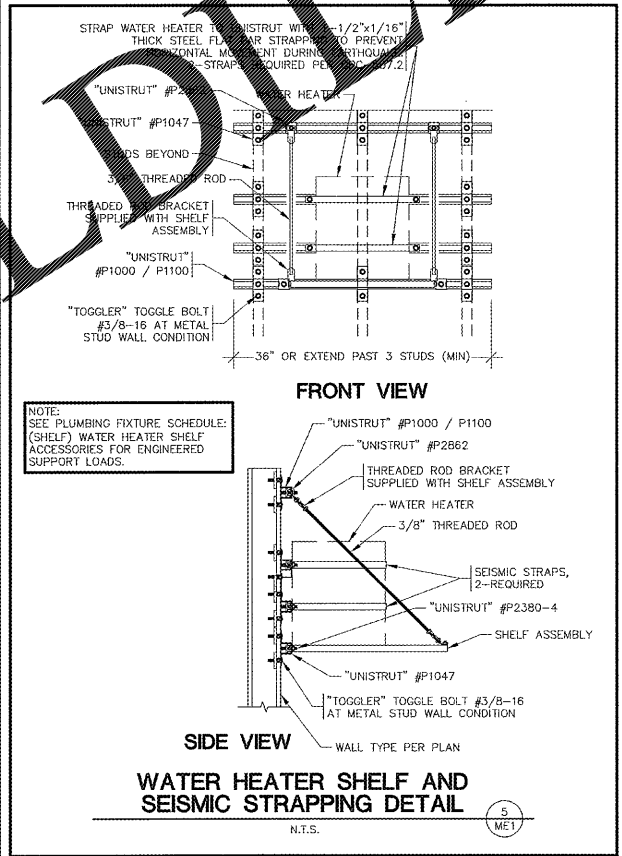


# PLUMBING

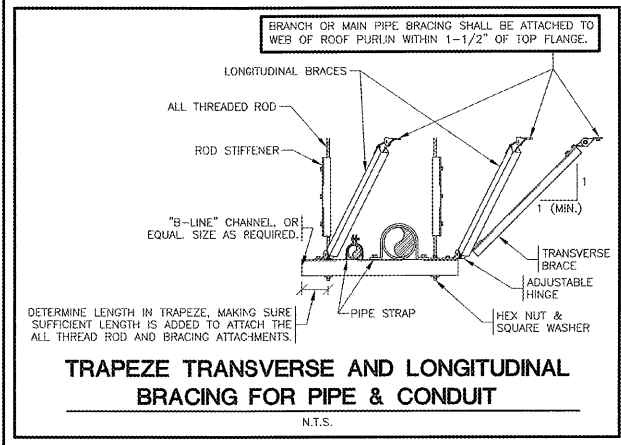
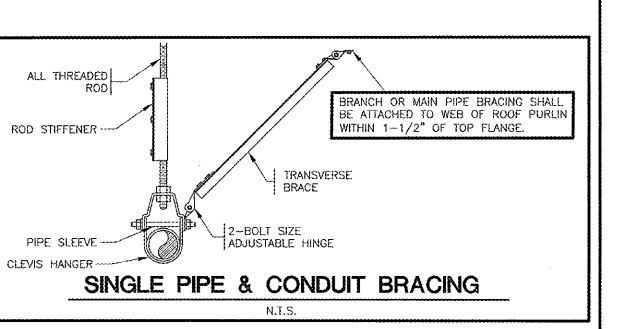
**CONTRACTOR TO REFER TO ARCHITECTURAL SHEET G1.1 FOR SEISMIC DESIGN CATEGORY. SEISMIC RESTRAINTS (ONLY REQUIRED FOR SEISMIC DESIGN CATEGORIES C,D,E,F)**

CONTRACTOR TO PROVIDE SEISMIC BRACING AS REQUIRED BY CODE.  
 IF SEISMIC BRACING IS REQUIRED SEE BRACING DETAILS THIS SHEET.

1. ALL PIPING WHICH REQUIRES RESTRAINT SHALL BE PROVIDED WITH SEISMIC EXPANSION DEVICES.
2. BRANCH OR MAIN PIPE BRACING SHALL BE ATTACHED TO WEB OF ROOF PURLIN WITHIN 1-1/2" OF TOP FLANGE.
3. SEE DETAILS "TRAPEZE TRANSVERSE AND LONGITUDINAL BRACING FOR PIPE & CONDUIT" AND "SINGLE PIPE & CONDUIT BRACING".



## PIPE & CONDUIT BRACING DETAILS



**ESTERY SCHNEIDER & ASSOCIATES, INC.**  
 ARCHITECTS & PLANNERS  
 1736 East Sunshine, Suite 417  
 Springfield, Missouri 65804  
 417.862.0600  
 Fax: 417.862.3265  
 e-mail: architect@esteryschneider.com  
 09/11/18  
 DRAWN BY: JTB

**PROJECT:**  
 NEW O'REILLY AUTO PARTS STORE  
 U.S. HWY 64  
 SOMERVILLE, TN  
**SEISMIC DETAILS**

**O'Reilly AUTO PARTS**  
 CORPORATE OFFICES  
 558 SOUTH PATTERSON  
 SPRINGFIELD, MISSOURI 65802  
 (417) 862-2474 TELEPHONE

COMM #	4231
DATE:	09-11-18
REVISION	
DATE:	

**SGE**  
 SMITH-GOTH ENGINEERS, INC.  
 3855 S. JEFFERSON AVE. P: 417-882-2200  
 SPRINGFIELD, MO 65807 F: 417-882-1188  
 WWW.SMITHGOTH.COM