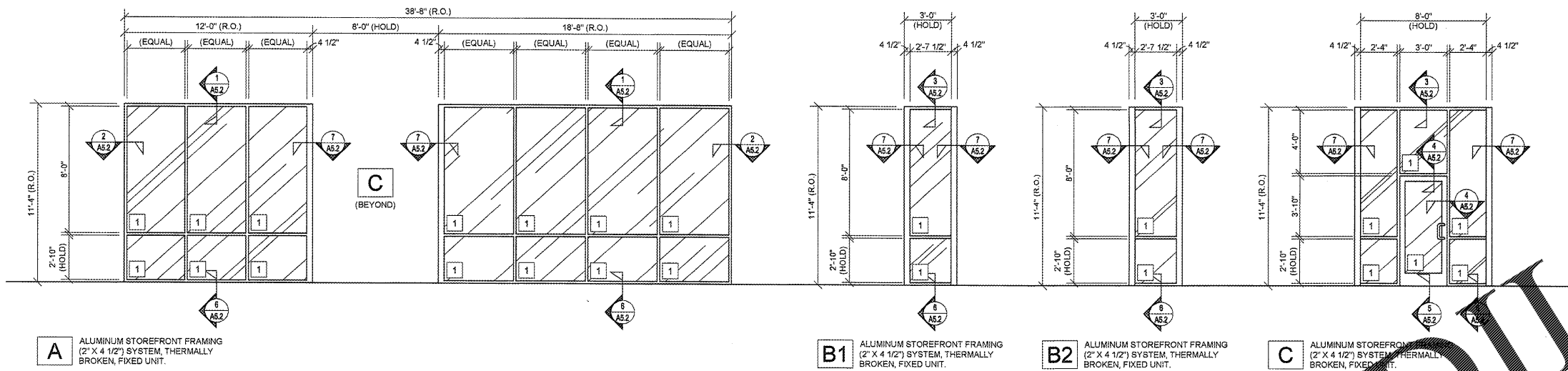


# WINDOW TYPES



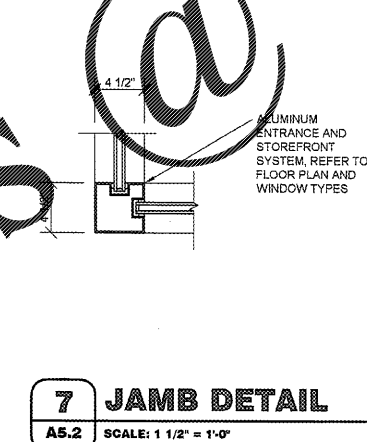
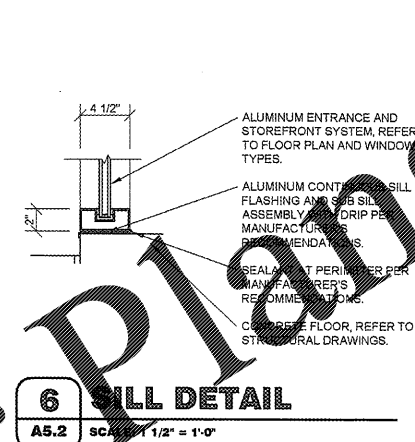
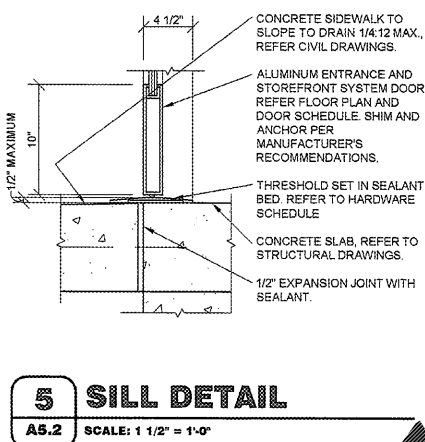
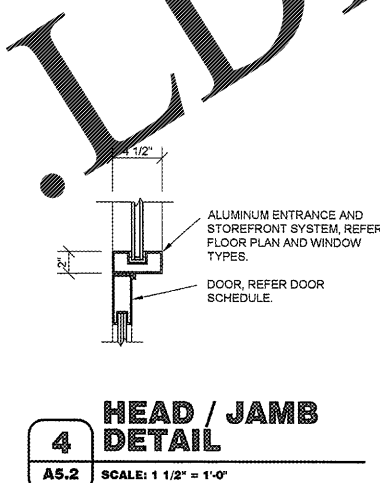
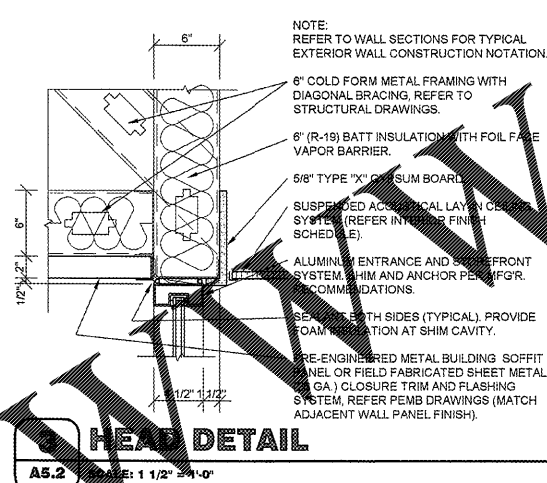
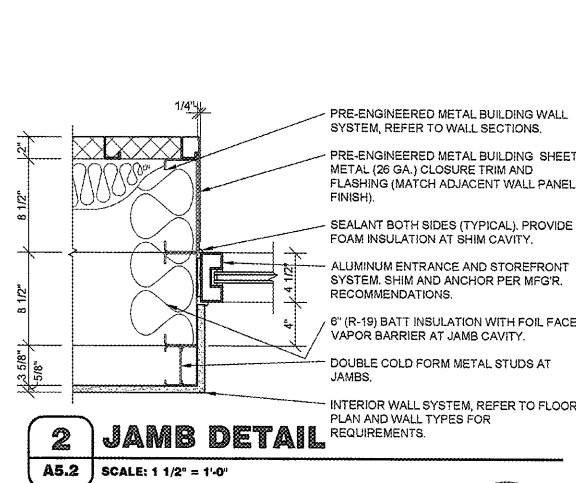
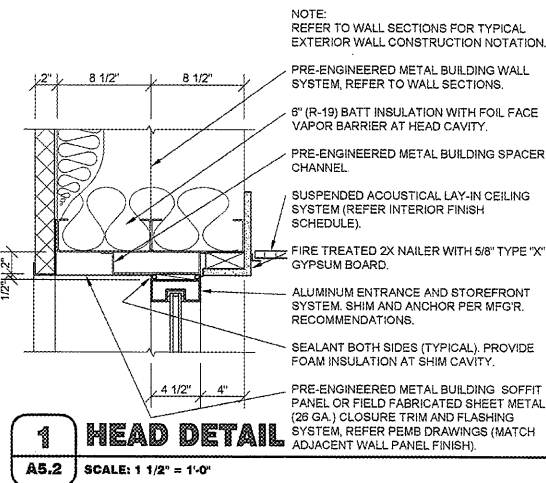
# GENERAL NOTES

- A REFER TO PROJECT MANUAL FOR ADDITIONAL REQUIREMENTS.
- B REFER TO BUILDING CODE SUMMARY FOR PROJECT STRUCTURAL DESIGN CRITERIA. WINDOW FRAMING AND ANCHORING SYSTEMS SHALL BE DESIGNED BY MANUFACTURER TO CONFORM TO PERFORMANCE AND TESTING REQUIREMENTS SPECIFIED.
- C REFER TO FLOOR PLAN, ELEVATIONS, AND SECTIONS FOR ADDITIONAL REQUIREMENTS.
- D WINDOW TYPE ELEVATIONS SHOWN VIEWED FROM EXTERIOR SIDE.
- E REFER TO EXTERIOR FINISH SCHEDULE FOR ALUMINUM WINDOW FRAMING COLORS. PERIMETER SEALANT COLOR MATCH WINDOW FRAMING COLOR UNLESS OTHERWISE INDICATED.
- F ALL DIMENSIONS TO ROUGH FACE OF FRAMING UNLESS OTHERWISE INDICATED. FIELD VERTICALLY THROUGH OPENINGS PRIOR TO INSTALLATION.
- G REFER TO DOOR AND HARDWARE SCHEDULES FOR ADDITIONAL REQUIREMENTS.
- H SECURITY GLAZING MAY BE REQUIRED. CONTACT PROJECT ADMINISTRATOR FOR VERIFICATION. (REFER TO SCOPE OF WORK SCHEDULE). PROVIDE ADDITIONAL SUPPORT FRAMING SYSTEM AS REQUIRED.
- I WIND SPEED IS EQUAL TO OR GREATER THAN 120 MPH, A FORM PANEL SYSTEM SHALL BE OWNER FURNISHED AND INSTALLED. CONTACT PROJECT ADMINISTRATOR TO VERIFY AND COORDINATE WITH SYSTEM PROVIDED BY OTHERS. (REFER TO SCOPE OF WORK SCHEDULE). PROVIDE ADDITIONAL SUPPORT FRAMING SYSTEM AS REQUIRED.
- J CONTRACTOR'S OPTION TO DIRECT ORDER AND PURCHASE WINDOW FRAMING SYSTEM AND GLAZING FROM THE FOLLOWING SUPPLIER (REFER TO SCOPE OF WORK SCHEDULE):

**COULTER & COMPANY**  
 13711 E. 66TH ST. N.  
 OWASSO, OK 74055  
 PHONE: (918) 272-4494  
 FAX: (918) 272-7908  
 EMAIL: carl@coulterglass.com  
 CONTACT: Carl Yorman

# GLAZING SCHEDULE

- 1 1" INSULATED SAFETY GLAZING (1/4" VITRO "SOLEXIA" EXTERIOR PANE / 1/4" CLEAR INTERIOR PANE) SHADING COEFFICIENT 0.57



Order Plans @



**CRAIG A. SCHNEIDER, AIA**  
 ARCHITECT  
 1736 East Sunshine, Suite 417  
 Springfield, Missouri 65804  
 Phone: 417.862.0505  
 Fax: 417.862.3206  
 e-mail: architect@estettyschneider.com

PROJECT:  
**NEW O'REILLY AUTO PARTS STORE**  
 U.S. HWY 64  
 SOMERVILLE, TN  
**WINDOW SCHEDULE**

**O'Reilly AUTO PARTS**  
 CORPORATE OFFICES  
 233 SOUTH PATTERSON  
 SPRINGFIELD, MISSOURI 65802  
 (417) 862-2674 TELEPHONE

COMM # 0000  
 DATE: 00-00-00  
 REVISION  
 DATE: