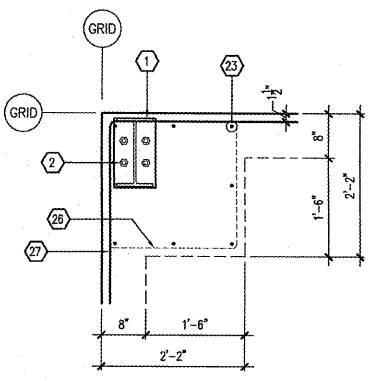


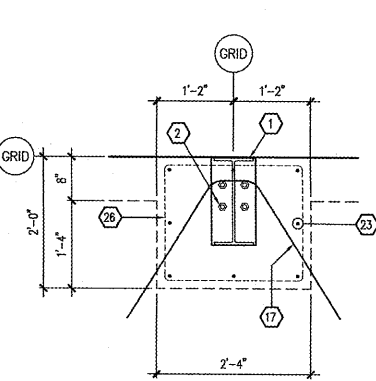
NOTE: ANCHOR BOLT ASSEMBLY TO BE PLACED IN FORM PRIOR TO POURING CONCRETE. BOLT MATERIAL MAY BE F1554 GR. 36, OR CONTINUOUSLY THREADED A36 ROD. ALL ANCHOR BOLTS SHALL BE CLEAN AND FREE OF ALL OIL, GREASE, ICE, ETC.

1 SHOP FABRICATED ANCHOR ASSEMBLY
S3.2 SCALE: NONE
(DO NOT SHIP UNASSEMBLED TO FIELD)

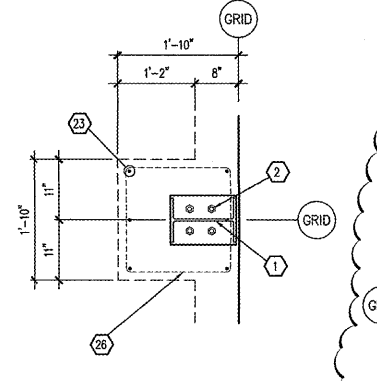
SEE SEPARATE DRAWING DETAILS PROVIDED BY PRE-ENGINEERED METAL BUILDING MANUFACTURER FOR ANCHOR BOLT QUANTITY, DIAMETER & SPACING



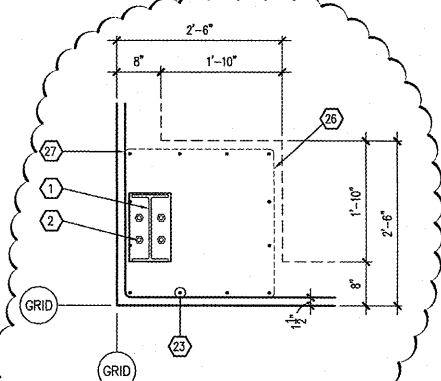
2 DETAIL
S3.2 SCALE: 3/4" = 1'-0"



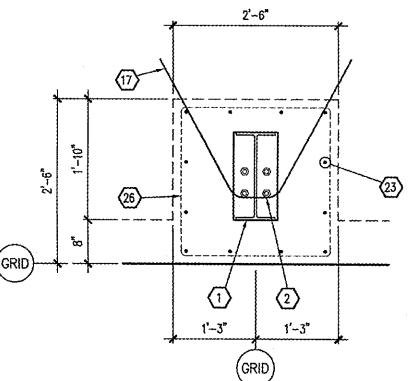
3 DETAIL
S3.2 SCALE: 3/4" = 1'-0"



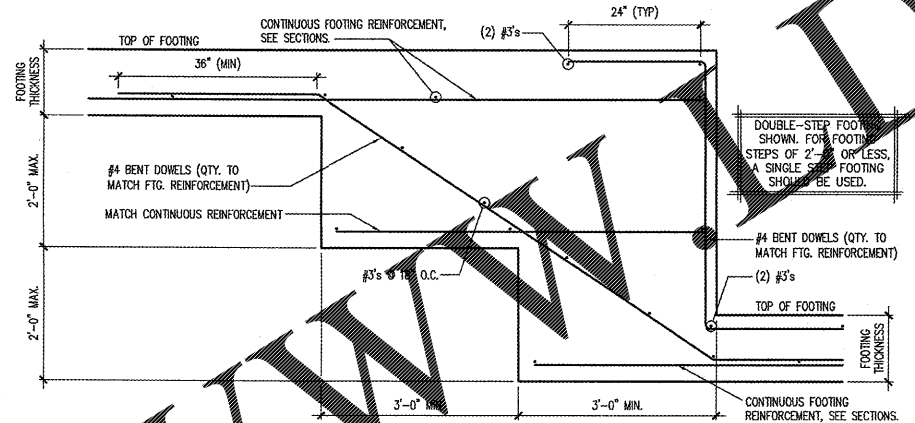
4 DETAIL
S3.2 SCALE: 3/4" = 1'-0"



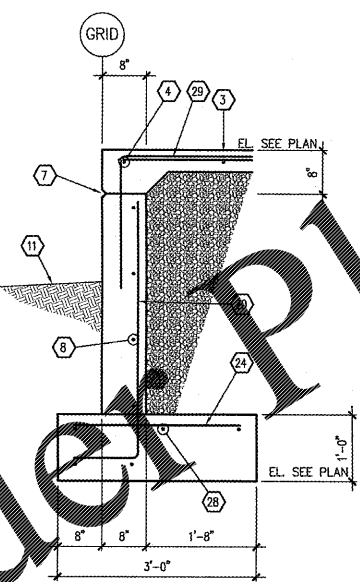
5 DETAIL
S3.2 SCALE: 3/4" = 1'-0"



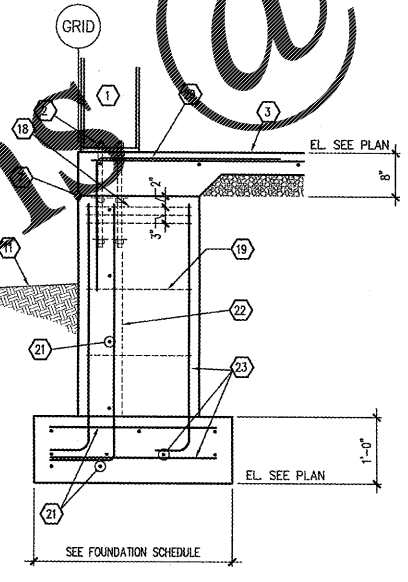
6 DETAIL
S3.2 SCALE: 3/4" = 1'-0"



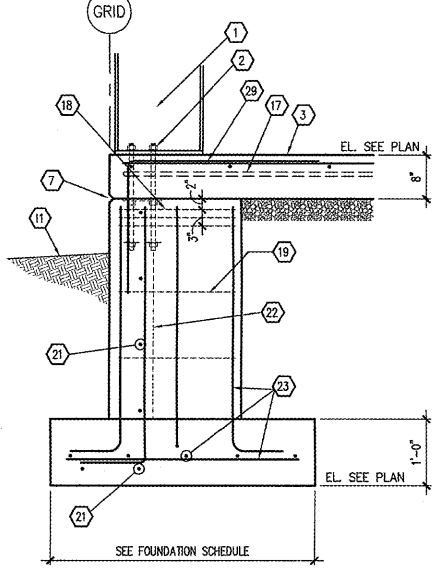
7 TYPICAL STEPPED FOOTING
S3.2 SCALE: 3/4" = 1'-0"



8 SECTION
S3.2 SCALE: 3/4" = 1'-0"



9 SECTION
S3.2 SCALE: 3/4" = 1'-0"



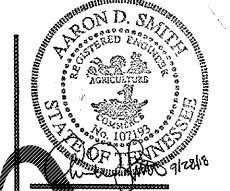
10 SECTION
S3.2 SCALE: 3/4" = 1'-0"

KEYNOTES

- 1 PRE-ENGINEERED METAL BUILDING STRUCTURAL SYSTEM. SEE P.E.M.B. SHOP DRAWINGS FOR ADDITIONAL INFORMATION.
- 2 ANCHOR BOLTS. SEE FOUNDATION SCHEDULE AND PRE-ENGINEERED METAL BUILDING DRAWINGS FOR SIZE, QUANTITY AND PLAN LOCATION. SEE 1/S3.2 FOR TYPICAL SHOP FABRICATED ANCHOR ASSEMBLY.
- 3 INTERIOR CONCRETE SLAB SEE FOUNDATION PLAN.
- 4 #4 CONTINUOUS
- 5 1/2" ISOLATION JOINT WITH ASPHALTIC FILLER & SEALANT
- 6 ADDITIONAL #4 CONTINUOUS
- 7 CONTINUOUS RUSTICATION JOINT
- 8 #4's CONTINUOUS AT 12" O.C.
- 9 #4 BENT DOWELS @ 18" O.C. LARGER HOOK AS SHOWN
- 10 (3) #4's CONTINUOUS
- 11 SEE FOUNDATION PLAN FOR FINISHED GRADES.
- 12 REFER TO SITE DEVELOPMENT DRAWINGS FOR ADDITIONAL INFORMATION.
- 13 AT ENTIRE LOCATION DRILL 6" DEEP HOLES FOR #4x1'-6" DOWELS @ 24" O.C. DRILL AND PLACE IN FOOTING. FOLLOW ADHESIVE INSTRUCTIONS SPECIFIED BY MANUFACTURER.
- 14 #3'-0" DOWEL @ 36" O.C. FIELD BEND AS SHOWN 24"
- 15 EVERY SLAB, SEE PLAN.
- 16 EXTERIOR CONCRETE SLAB OR SIDEWALK SEE FOUNDATION PLAN. REFER TO SITE DEVELOPMENT DRAWINGS FOR ALL EXTERIOR TOP OF CONCRETE ELEVATIONS.
- 17 #5 SLAB HAIRPIN. SEE DETAIL 4/S3.1
- 18 (3) #3 TIES @ 12" O.C.
- 19 #3 TIES @ 12" O.C.
- 20 #4 BENT DOWELS @ 18" O.C.
- 21 STEM WALL AND FOOTING REINFORCEMENT TO RUN CONTINUOUS THROUGH COLUMN PILASTERS AND SPREAD FOOTINGS.
- 22 LINE OF STEM WALL AND FOOTING BEYOND
- 23 SEE FOUNDATION SCHEDULE FOR FOOTING & PILASTER REINFORCEMENT.
- 24 #4 DOWELS @ 18" O.C.
- 25 STEEL BOLLARD SEE SITE PLAN.
- 26 REFER TO SECTIONS FOR REBAR TIE SIZE AND SPACING.
- 27 #4 CORNER REINFORCEMENT TO MATCH STEM WALL BAR SPACING. 36"
- 28 (5) #4's CONTINUOUS
- 29 #3x5'-6" DOWEL @ 30" O.C. FIELD BEND AS SHOWN 30"

Order Plans @

WWW.DIYBLUE.COM



1736 East Sunshine, Suite 417
Springfield, Missouri 65714
417-862-2674
Fax: 417-862-3265
e-mail: architect@esterlyschneider.com

ESTERLY & SCHNEIDER ASSOCIATES, INC.
architects & planners

PROJECT: **NEW O'REILLY AUTO PARTS STORE**
U.S. HWY 64
SOMERVILLE, TN
FOUNDATION DETAILS

O'Reilly AUTO PARTS
CORPORATE OFFICES
1000 N. W. 10th St.
SPRINGFIELD, MISSOURI 65802
(417) 862-2674 TELEPHONE

COMM #	4231
DATE:	9-11-18
REVISION	
DATE:	9-28-18

J.S. Smith Consulting
Aaron D. Smith P.E. 00107193
1801 W 32nd St Bldg B Ste 104 • JOPLIN, MISSOURI 64804
P.O. Box 6102 • JOPLIN, MISSOURI 64802
PHONE: 417-624-0444 • FAX: 417-624-0430