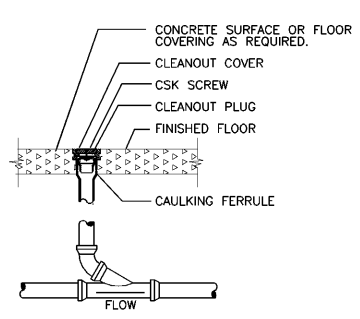
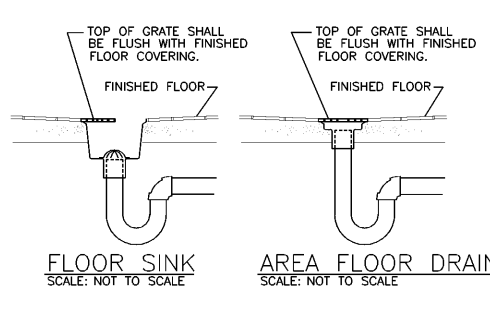


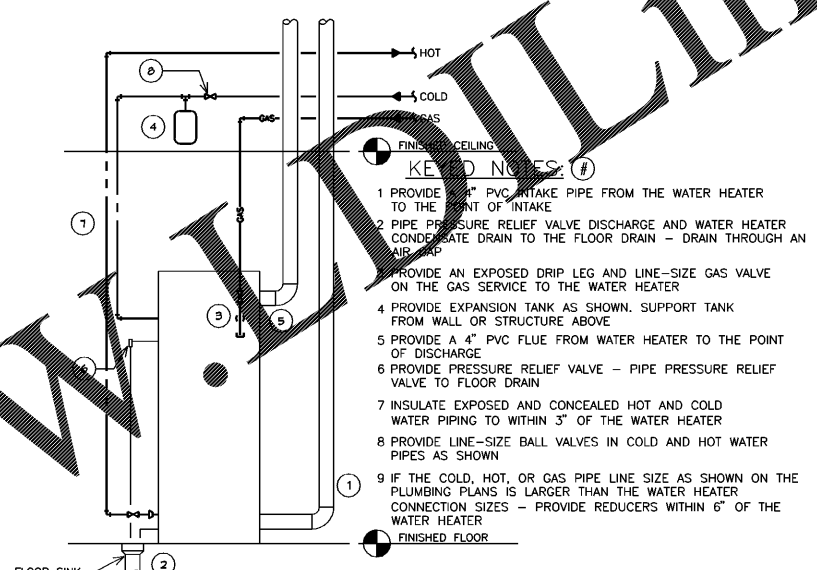
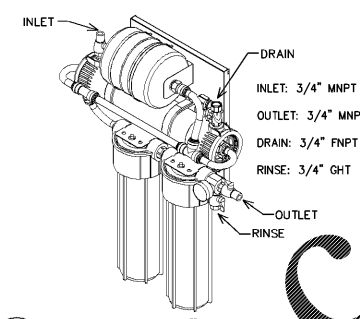
4 CLEANOUT DETAIL
SCALE: N.T.S.



5 FLOOR DRAIN DETAILS
SCALE: N.T.S.



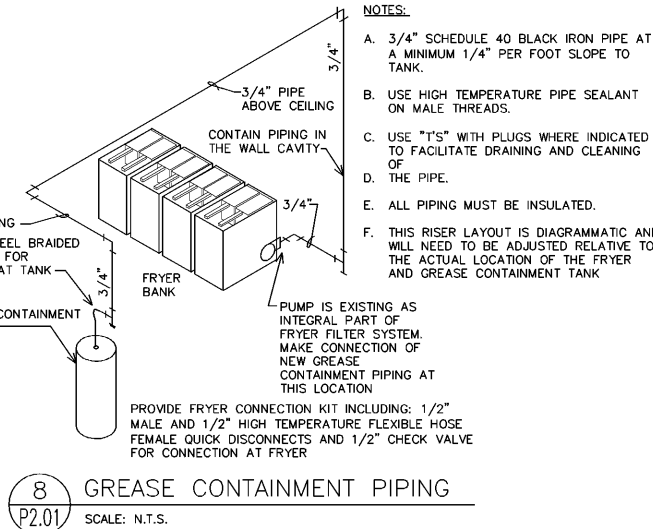
6 WATER FLOOR DETAIL
SCALE: N.T.S.



7 TANK TYPE WATER HEATER DETAIL
SCALE: N.T.S.

- KEY NOTES:**
- 1 PROVIDE 4" PVC INTAKE PIPE FROM THE WATER HEATER TO THE POINT OF INTAKE
 - 2 PIPE PRESSURE RELIEF VALVE DISCHARGE AND WATER HEATER CONDENSATE DRAIN TO THE FLOOR DRAIN - DRAIN THROUGH AN AIR GAP
 - 3 PROVIDE AN EXPOSED DRIP LEG AND LINE-SIZE GAS VALVE ON THE GAS SERVICE TO THE WATER HEATER
 - 4 PROVIDE EXPANSION TANK AS SHOWN. SUPPORT TANK FROM WALL OR STRUCTURE ABOVE
 - 5 PROVIDE A 4" PVC FLUE FROM WATER HEATER TO THE POINT OF DISCHARGE
 - 6 PROVIDE PRESSURE RELIEF VALVE - PIPE PRESSURE RELIEF VALVE TO FLOOR DRAIN
 - 7 INSULATE EXPOSED AND CONCEALED HOT AND COLD WATER PIPING TO WITHIN 3" OF THE WATER HEATER
 - 8 PROVIDE LINE-SIZE BALL VALVES IN COLD AND HOT WATER PIPES AS SHOWN
 - 9 IF THE COLD, HOT, OR GAS PIPE LINE SIZE AS SHOWN ON THE PLUMBING PLANS IS LARGER THAN THE WATER HEATER CONNECTION SIZES - PROVIDE REDUCERS WITHIN 6" OF THE WATER HEATER

- INSTALLATION NOTES**
- A. CLEAN INLET STRAINERS AFTER CONSTRUCTION HAS BEEN COMPLETED AND PRIOR TO TURNOVER OF THE BUILDING TO THE OWNER.
 - B. INSTALL PIPING WITH AS FEW ELBOWS AS POSSIBLE.
 - C. MAINTAIN REQUIRED CLEARANCES TO COMBUSTIBLE MATERIALS.



8 GREASE CONTAINMENT PIPING
SCALE: N.T.S.

- NOTES:**
- A. 3/4" SCHEDULE 40 BLACK IRON PIPE AT A MINIMUM 1/4" PER FOOT SLOPE TO TANK.
 - B. USE HIGH TEMPERATURE PIPE SEALANT ON MALE THREADS.
 - C. USE "ITS" WITH PLUGS WHERE INDICATED TO FACILITATE DRAINING AND CLEANING OF THE PIPE.
 - D. THE PIPE.
 - E. ALL PIPING MUST BE INSULATED.
 - F. THIS RISER LAYOUT IS DIAGRAMMATIC AND WILL NEED TO BE ADJUSTED RELATIVE TO THE ACTUAL LOCATION OF THE FRYER AND GREASE CONTAINMENT TANK

GAS SERVICE REQUIREMENTS:

FRYERS (4)	300,000 BTUH
GRIDDLE	150,000 BTUH
WATER HEATER	120,000 BTUH
RTU-1	120,000 BTUH
RTU-2	100,000 BTUH
RTU-3	75,000 BTUH
RTU-4	100,000 BTUH
RTU-5	75,000 BTUH
MAU-1	150,000 BTUH
TOTAL	1,190,000 BTUH INPUT

PROVIDE MINIMUM GAS PRESSURE OF 14" WC
PROVIDE WITH PROPER GAS PRESSURE REGULATORS AND VALVES AS REQUIRED PER MANUFACTURER REQUIREMENTS AT EACH PIECE OF EQUIPMENT.
*GAS PIPE SIZING IS BASED ON TABLE 402.4(2) OF THE 2012 VFGC, BASED ON 14" WC PRESSURE WITH 0.5" W.C. PRESSURE DROP AT A DISTANCE OF 175 FEET TOTAL DEVELOPED LENGTH.
VERIFY EXISTING GAS PRESSURE IN FIELD PRIOR TO START OF WORK.

CONSULTANT:
DUNHAM
DUNHAM
50 South Sixth Street / Suite 114
Minneapolis, MN 55402-1500
PHONE: 612.480.5550
FAX: 612.480.7551
WEB: dunhaminc.com
Mechanical, Electrical
consulting engineering

CLIENT:
SONIC
American Refrigeration
JOHN COVE, LLC.
7790 ABBEY OAKS COURT
MANASSAS, VA 20112

PROJECT INFORMATION:
SONIC
SONIC DRIVE-IN RESTAURANT
10850 PROMENADE LANE
MANASSAS, VA 20109
STORE #6711



PROJECT NO.: 0419739-002
DRAWN BY: TAB
CHECKED BY: GS

ISSUE: DATE:
PERMIT SET: 07-27-18

REVISION: DATE:

PROJECT LOCATION:
MANASSAS, VA
#6711

SHEET NUMBER / TITLE:
P2.01
PLUMBING RISERS AND DETAILS

Order Plans @

www.dline.com