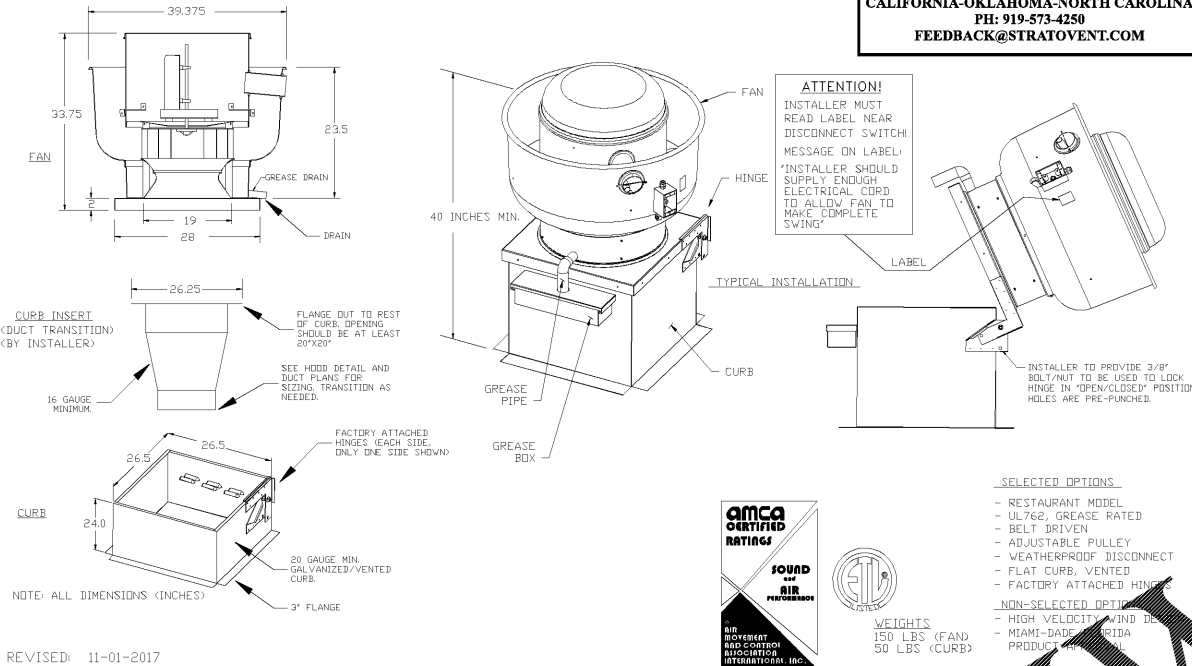


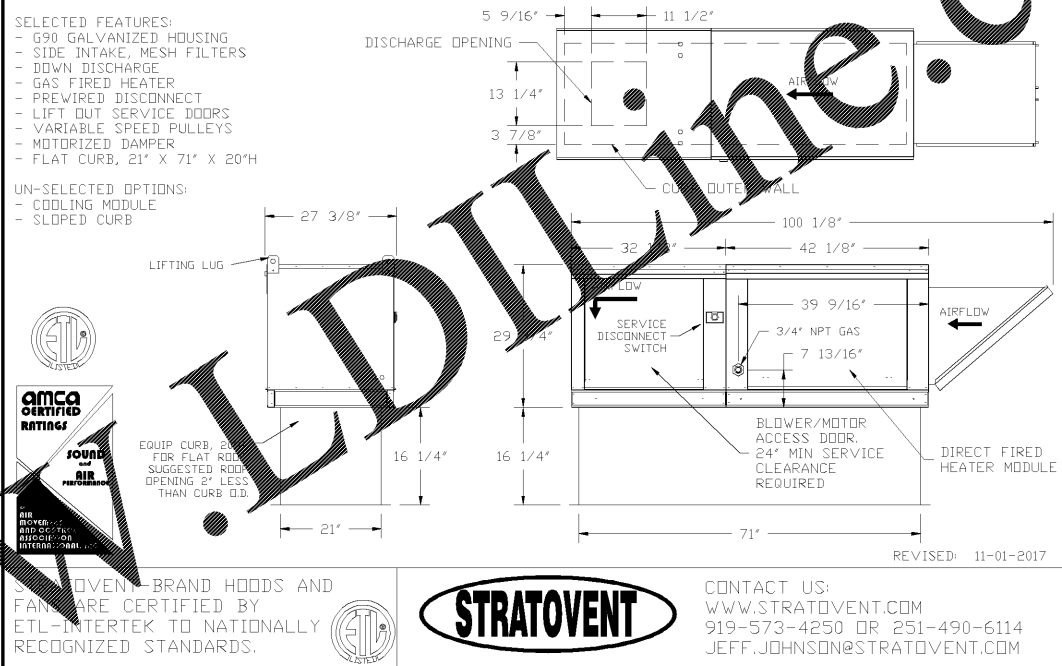
STRATOVENT MODEL# SVNCA16HPFA

TAG	STRATOVENT MODEL #	CFM	ESP.	RPM	H.P.	B.H.P.	Ø	VOLT	FLA	MCA/MDP	WEIGHT (LBS.)	SONES
KEF-1	SVNCA16HPFA	2400	1.400	1295	1.50	1.1	3	208	4.6	5.8/15	200	12.3



STRATOVENT-10" SUPPLY FAN-HEAT ONLY OPTION

TAG	STRATOVENT MODEL #	CFM	ESP.	RPM	H.P.	B.H.P.	Ø	VOLT	FLA	MCA/MDP	WEIGHT	SONES	INPUT BTUS	OUTPUT BTUS	TEMP. RISE	REQUIRED INPUT GAS PRESSURE	TYPE
MUA-1	SVAID250G10	1440	0.60	1008	1.000	0.65	3	208	3.4	4.3/15	700 LBS	19	136203	125307	65 deg F	7-14 in. w.c.	Natural

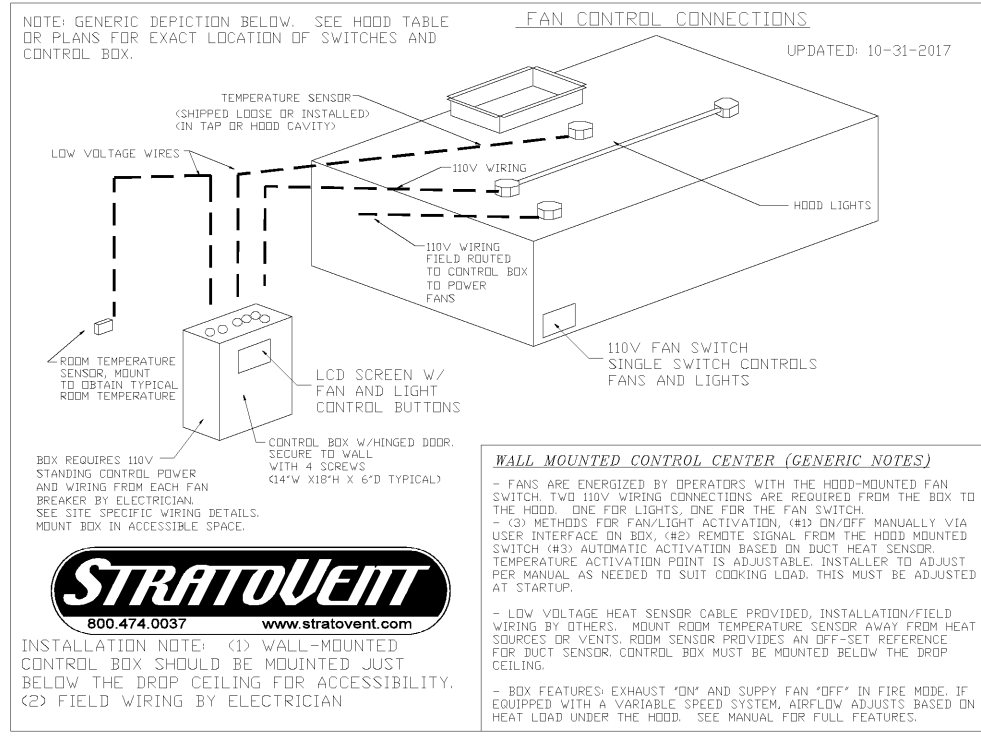
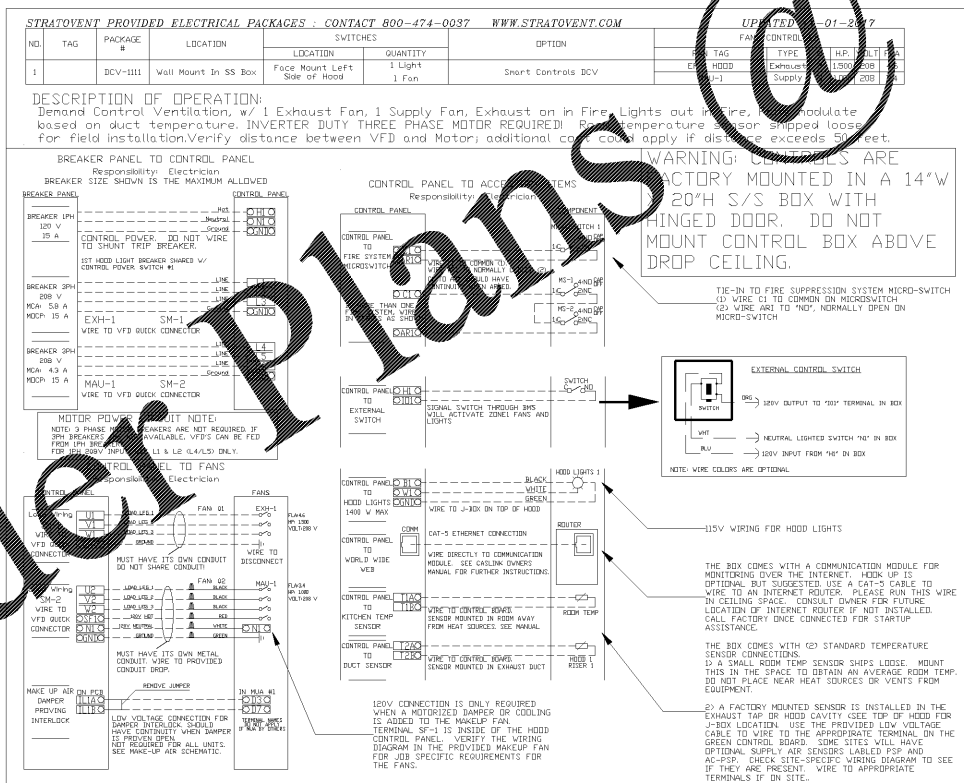


SELECTED FEATURES:
 - G90 GALVANIZED HOUSING
 - SIDE INTAKE, MESH FILTERS
 - DOWN DISCHARGE
 - GAS FIRED HEATER
 - PREWIRED DISCONNECT
 - LIFT OUT SERVICE DOORS
 - VARIABLE SPEED PULLEYS
 - MOTORIZED DAMPER
 - FLAT CURB, 21" X 71" X 20"H

UN-SELECTED OPTIONS:
 - COOLING MODULE
 - SLOPED CURB

CONTACT US:
 WWW.STRATOVENT.COM
 919-573-4250 OR 251-490-6114
 JEFF.JOHNSON@STRATOVENT.COM

CONTROL BOX SHOULD NOT BE MOUNTED ABOVE THE DROP CEILING. IT MUST BE INSTALLED BELOW THE CEILING TO ALLOW ACCESS FOR FUTURE SERVICING.



Order Plans @

REVISIONS

NO.	DESCRIPTION	DATE



12FT L SONIC-VARIABLE SPEED-HEAT ONLY
 MANASSAS, VA #6711
 DATE: 07/27/18
 DWG.#:
 DRAWN BY: JJ-REG24
 SCALE: NOT TO SCALE
 MASTER DRAWING
 SHEET NO. 2