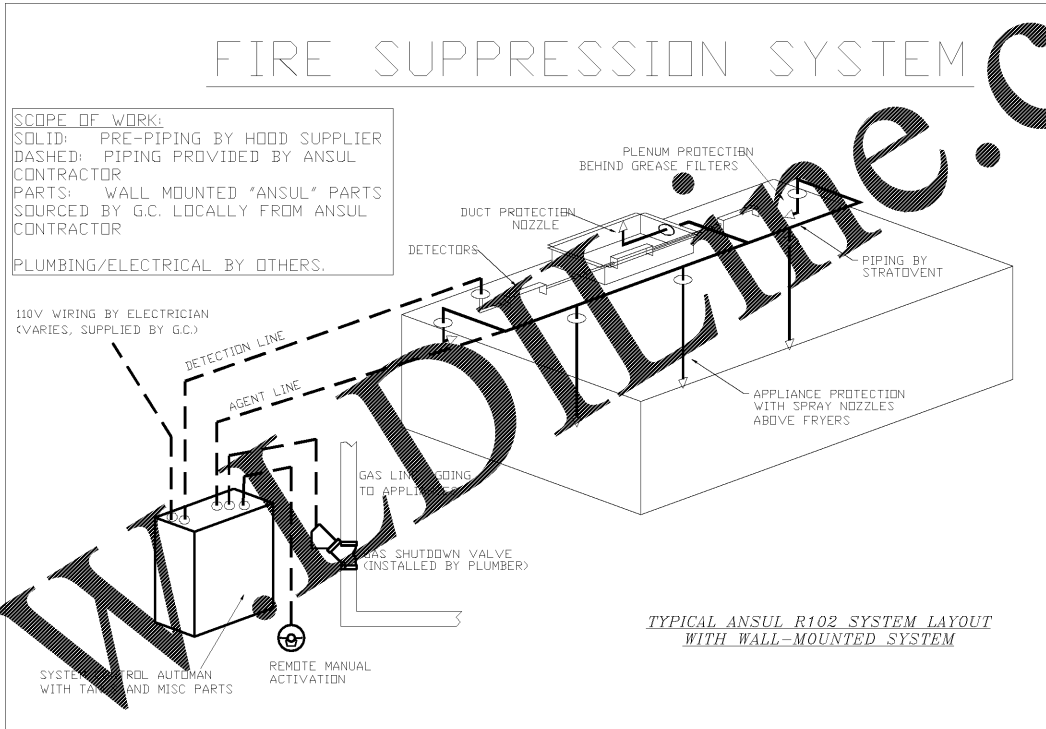
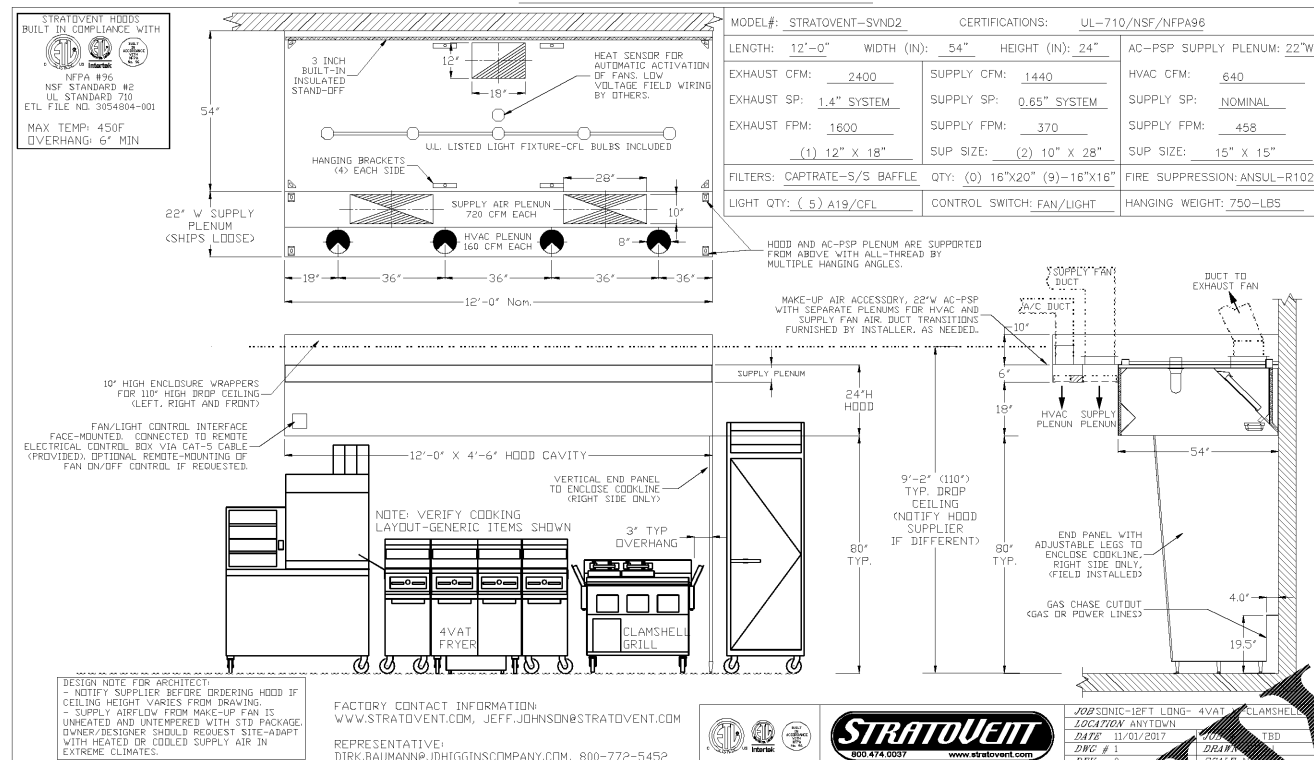


HOOD DETAILS



SPECIFICATION: CAPRATE® GREASE-STOP® SOLID FILTER

THE CAPRATE GREASE-STOP SOLID FILTER IS A SINGLE-STAGE FILTER FEATURING A UNIQUE S-BAFFLE DESIGN IN CONJUNCTION WITH A SLOTTED REAR BAFFLE DESIGN, TO DELIVER EXCEPTIONAL FILTRATION EFFICIENCY.

FILTER IS STAINLESS STEEL CONSTRUCTION, AND SIZED TO FIT INTO STANDARD 2-INCH DEEP HOOD CHANNELS.

UNITS SHALL INCLUDE STAINLESS STEEL HANDLES AND A FASTENING DEVICE TO SECURE THE TWO COMPONENTS WHEN ASSEMBLED.

GREASE EXTRACTION EFFICIENCY PERFORMANCE SHALL REMOVE AT LEAST 75% OF GREASE PARTICLES FIVE MICRONS IN SIZE, AND 90% GREASE PARTICLES SEVEN MICRONS IN SIZE AND LARGER, WITH A CORRESPONDING PRESSURE DROP NOT TO EXCEED 1.0 INCHES OF WATER GAUGE.

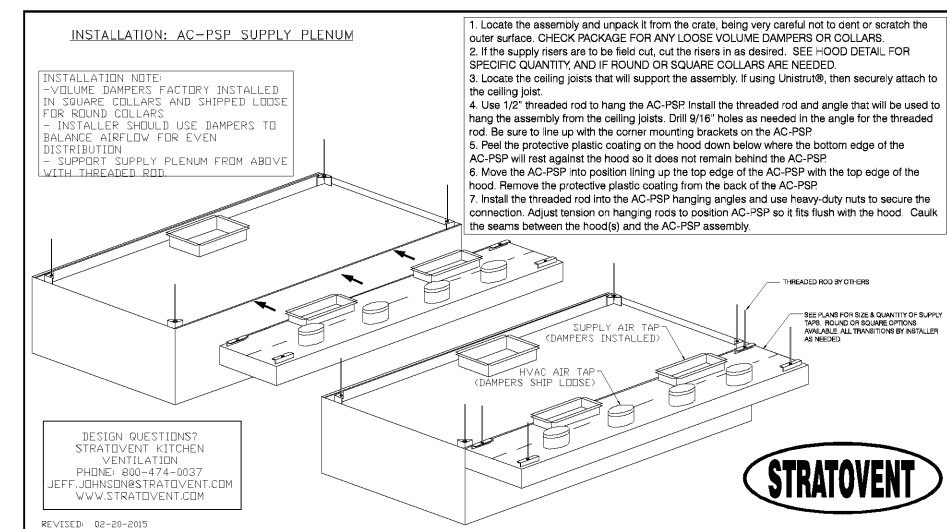
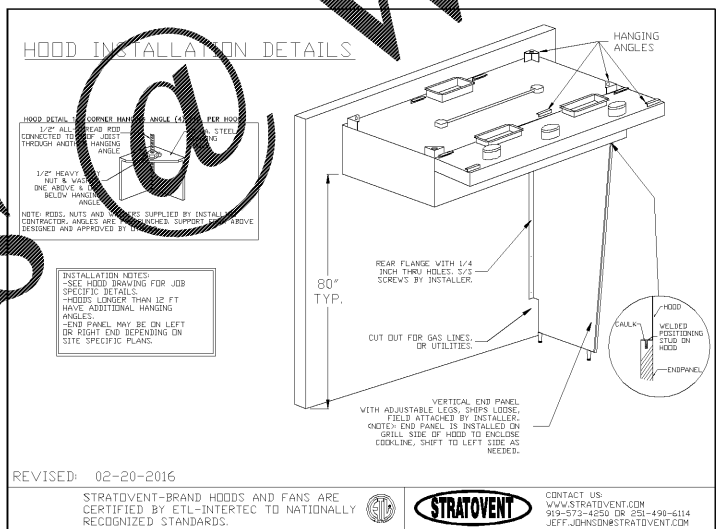
THE CAPRATE GREASE-STOP SOLID WAS TESTED TO ASTM STANDARD ASTM F2519-05.

FILTRATION COLLECTION EFFICIENCY 2" Caprate Grease Stop Solid Filter

RESISTANCE VS AIRFLOW

CAPRATE FILTERS ARE BUILT IN COMPLIANCE WITH:
 NFPA #96
 NSF STANDARD #2
 UL STANDARD #246
 INT. MECH. (UL/ETL)

CAPRATE SOLID FILTER SIZES		
SIZE (H X W X D)	DIMENSIONS (H X W X D)	AREA (SQ FT)
12 X 16	19.625" X 15.625" X 1.875"	1.780
16 X 16	19.625" X 15.625" X 1.875"	1.390



Order Plans

REVISIONS

NO.	REVISION	DATE

STRATOVENT
800.474.0037 www.stratovent.com

Stratovent
4641 Paragon Park, Raleigh, NC 27616 PHONE: (919) 573-4250 FAX: (919) 573-4251 EMAIL: jeff.johnson@stratovent.com

12ft+L SONIC- VARIABLE SPEED-HEAT ONLY
MANASSAS, VA #6711

DATE: 07/27/18
DWG.#:
DRAWN BY: JJ-REG24
SCALE: NOT TO SCALE
MASTER DRAWING

SHEET NO.
1