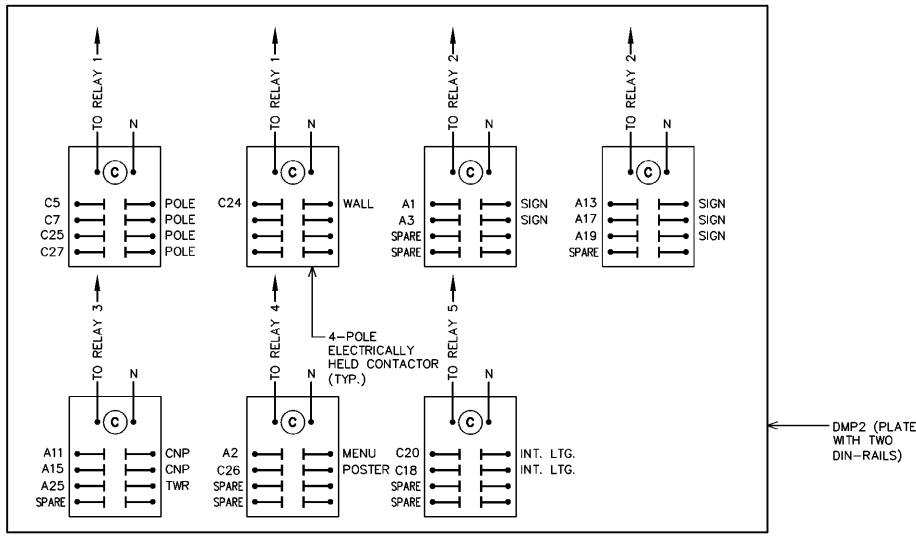
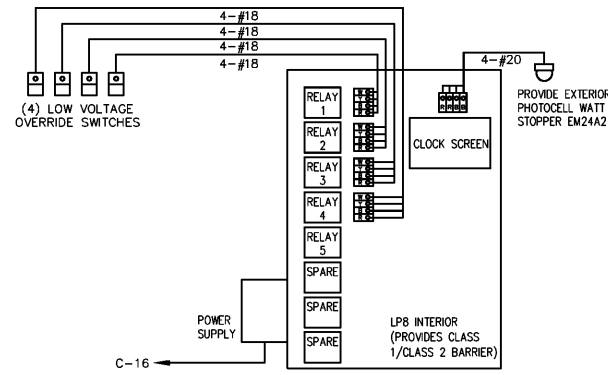


PROVIDE WATT STOPPER PEANUT PANEL LP24S-8-115 AND ALL ASSOCIATED COMPONENTS FOR A COMPLETE LIGHTING CONTROL SYSTEM.



1 LIGHTING CONTROL DETAIL
E3.02 SCALE: N.T.S.

EQUIPMENT SCHEDULE - TRADITIONAL

ITEM NO	QTY	DESCRIPTION	AMPS	VOLTS	PHASE	DISCONNECT	NEMA	HEIGHT (AFF)	PANEL-CIRCUIT	CONDUIT-WIRE-BRKR	GROUND WIRE	EQUIPMENT NOTES
1B	2	ICE CREAM MACHINE (LEFT SIDE) (ELECTRO FREEZE)	19.0	120/208	3	C&P	VERIFY	72"	B-1,3,5 B-25,27,29	1/2"C-4 #12-25A/3P	#10	LEFT SIDE MOTOR CONNECTION
1B	2	ICE CREAM MACHINE (RIGHT SIDE) (ELECTRO FREEZE)	17.5	120/208	3	C&P	VERIFY	72"	B-7,9,11 B-31,33,35	1/2"C-4 #12-20A/3P	#12	RIGHT SIDE MOTOR CONNECTION
3B	1	REFRIGERATED FOUNTAINETTE	3.4	120	1	C&P	5-20R	VERIFY	B-13	1/2"C-2 #12-20A/1P	#12	
6A	1	TABLE TOP MIXER	5.2	120	1	C&P	5-20R	VERIFY	B-13	1/2"C-2 #12-20A/1P	#12	
6B	1	TABLE TOP MIXER	10.0	120	1	C&P	5-20R	VERIFY	B-18	1/2"C-2 #12-20A/1P	#12	
7	1	HOT FUDGE WARMER	4.20	120	1	C&P	5-20R	VERIFY	B-13	1/2"C-2 #12-20A/1P	#12	
8	1	COFFEE MACHINE	14.0	120	1	C&P	5-20R	VERIFY	B-21	1/2"C-2 #12-20A/1P	#12	
10A	2	SLUSH MACHINE DRINK (ELECTRO FREEZE)	25.5	208	1	C&P	VERIFY	VERIFY	B-2,4 B-6,8	3/4"C-2 #8-35A/2P	#10	
11	2	SLUSH FILL STATION	1.0	120	1	C&P	5-20R	VERIFY	B-10	1/2"C-2 #12-20A/1P	#12	
12	2	ULTIMATE DRINK MACHINE W/ICE BIN	13.3	120	1	C&P	(2)5-20R	VERIFY	B-39, B-41	1/2"C-2 #12-20A/1P	#12	
19	1	LEMONADE DISPENSER	3.6	120	1	C&P	5-20R	VERIFY	B-23	1/2"C-2 #12-20A/1P	#12	
29	1	UNDERCOUNTER FREEZER	5.7	120	1	C&P	5-20R	VERIFY	B-12	1/2"C-2 #12-20A/1P	#12	
30B	1	VERTICAL HOLDING UNIT	13.3	120	1	C&P	5-20R	VERIFY	B-37	1/2"C-2 #12-20A/1P	#12	
31	1	SALT AND BAG	14.4	208	1	C&P	6-20R	VERIFY	D-1,3	1/2"C-2 #12-20A/2P	#12	
32A	1	GRILL/FRYER EXHAUST HOOD SYSTEM "B": EF-1	5.8	208	3	30A/3P NFS	--	AT UNIT	D-25,27,29	1/2"C-3#12-15A/3P	#12	
32A	1	GRILL/FRYER EXHAUST HOOD SYSTEM: MAU-1	4.3	208	3	30A/3P NFS	--	AT UNIT	D-31,33,35	1/2"C-3#12-15A/3P	#12	
33	1	EXHAUST HOOD INTERLOCK BOX	--	120	1	--	--	--	C-19	1/2"C-2 #12-20A/1P	#12	
34E	1	FRYER (GAS)	12.2	120	1	C&P	5-20R	VERIFY	B-14 ST	1/2"C-2 #12-20A/1PST	#12	
37A	2	REACH IN FREEZER	7.1	120	1	C&P	5-20R	72"	B-22 B-24	1/2"C-2 #12-20A/1P	#12	
38A	1	REACH IN REFRIGERATOR	5.8	120	1	C&P	5-20R	72"	B-25	1/2"C-2 #12-20A/1P	#12	
40A	1	GAS GRIDDLE (GARLAND GAS)	1.0	120	1	C&P	5-20R	VERIFY	B-18 ST	1/2"C-2 #12-20A/1PST	#12	
41A	1	EXPEDITE TABLE W/ WARMERS AND SACK RACK	9.1	120	1	C&P	5-20R	VERIFY	B-15	1/2"C-2 #12-20A/1P	#12	
42A	1	REFRIGERATED TABLE	9.6	120	1	C&P	5-30R	VERIFY	D-2	1/2"C-2 #10-30A/1P	#10	
42A.1A	1	HEATED WORK TOP	10.0	120	1	C&P	5-20R	VERIFY	D-4	1/2"C-2 #12-20A/1P	#12	
45B	1	HORIZONTAL DUAL SIDED HOLDING UNIT	10.8	208	1	C&P	6-20R	VERIFY	B-30,32	1/2"C-2 #12-20A/2P	#12	
45C	1	HORIZONTAL DUAL SIDED HOLDING UNIT	10.8	208	1	C&P	6-20R	VERIFY	D-21,23	1/2"C-2 #12-20A/2P	#12	
46B	1	TOASTER & WARMER TABLE	12.0	120	1	C&P	5-20R	VERIFY	B-19	1/2"C-2 #12-20A/1P	#12	
47	2	STEAMER	15.9	208	1	C&P	6-20R	VERIFY	B-34,36 B-38,40	1/2"C-2 #12-20A/2P	#12	
48B	1	BUN TOASTER	15.9	208	1	C&P	6-20R	VERIFY	D-6,8	1/2"C-2 #12-20A/2P	#12	
51B	1	WARMERS	15.0	120	1	C&P	5-20R	VERIFY	D-10	1/2"C-2 #12-20A/1P	#12	
52A	1	HOT / COLD COMBO CONEY TABLE	15.0	120	1	C&P	5-20R	VERIFY	D-12	1/2"C-2 #12-20A/1P	#12	
53	1	HOT DOG WARMER	11.7	120	1	C&P	5-20R	VERIFY	D-14	1/2"C-2 #12-20A/1P	#12	
54	1	HOT DOG CAROUSEL	14.6	120	1	C&P	5-20R	VERIFY	D-16	1/2"C-2 #12-20A/1P	#12	
68A	2	ICE MACHINE (SCOTSMAN)	18.9	208	1	VERIFY	VERIFY	84"	D-17,19	1/2"C-2 #12-20A/2P	#10	
70C	1	GREASE TANK	15.0	120	1	C&P	5-20R	VERIFY	C-5	1/2"C-2 #12-20A/1P	#12	
82	2	HAND DRYER	6.0	120	1	DIRECT	--	VERIFY	C-1 C-3	1/2"C-2 #12-20A/1P	#12	PROVIDE LOCK OFF DEVICE AT BREAKER
87	1	DRINK CARBONATOR	12.0	120	1	C&P	5-20R	60"	C-31	1/2"C-2 #12-20A/1P	#12	
88	1	SLUSH PRECHILLER	7.8	120	1	C&P	5-20R	VERIFY	C-2	1/2"C-2 #12-20A/1P	#12	
95	1	WATER HEATER (Gas)	2.0	120	1	30A/1P NFS	--	VERIFY	C-8	1/2"C-2 #12-20A/1P	#12	
99A	1	EXISTING COOLER COIL/FAN & REMOTE COND.	EX.	EX.	EX.	EXISTING	--	--	EXISTING	EXISTING	EXISTING	EX. TO REMAIN. MAINTAIN CONNECTIONS. CIRCUITING SHOWN FOR REFERENCE ONLY.
100A	1	EXISTING FREEZER COIL/FAN & REMOTE COND.	EX.	EX.	EX.	EXISTING	--	--	EXISTING	EXISTING	EXISTING	EX. TO REMAIN. MAINTAIN CONNECTIONS. CIRCUITING SHOWN FOR REFERENCE ONLY.
102	1	WATER FILTRATION SYSTEM	0.1	120	1	C&P	5-20R	84"	C-8	1/2"C-2 #12-20A/1P	#12	
RTU-1	1	EXISTING ROOF TOP UNIT	EX.	208	3	EXISTING	--	AT UNIT	SEE MDP	EXISTING	EXISTING	MAINTAIN CONNECTIONS
RTU-2	1	EXISTING ROOF TOP UNIT	EX.	208	3	EXISTING	--	AT UNIT	SEE MDP	EXISTING	EXISTING	MAINTAIN CONNECTIONS
RTU-3	1	NEW ROOF TOP UNIT	28.7	208	3	60A/3P NFS	--	AT UNIT	SEE MDP	3/4"C-3#8-35A/3P	#10	
RTU-4	1	EXISTING ROOF TOP UNIT	EX.	208	3	EXISTING	--	AT UNIT	SEE MDP	EXISTING	EXISTING	MAINTAIN CONNECTIONS
RTU-5	1	NEW ROOF TOP UNIT	28.7	208	3	60A/3P NFS	--	AT UNIT	SEE MDP	3/4"C-3#8-35A/3P	#10	
EW-1	1	ELECTRIC WALL HEATER	14.4	208	1	--	--	--	D-5,7	1/2"C-2 #12-20A/2P	#12	VERIFY WITH OWNER
EW-2	1	ELECTRIC WALL HEATER	14.4	208	1	--	--	--	D-9,11	1/2"C-2 #12-20A/2P	#12	VERIFY WITH OWNER
EF-2	1	EXISTING BATHROOM EXHAUST FAN	EX.	120	1	--	--	--	EXISTING	EXISTING	EXISTING	MAINTAIN CONNECTIONS

GENERAL NOTES

- A. DIVISION 16 CONTRACTOR TO PROVIDE RECEPTACLES AND DISCONNECT SWITCHES AS SHOWN FOR IN THE SCHEDULE ABOVE UNLESS NOTED OTHERWISE.
- B. VERIFY ALL EQUIPMENT RATINGS AND REQUIREMENTS. APPROVE SHOP DRAWINGS FROM EQUIPMENT SUPPLIER PRIOR TO ROUGH IN.
- C. ALL EQUIPMENT AND MOTORS TO BE CONNECTED BY DIVISION 16 CONTRACTOR UNLESS STATED OTHERWISE.
- D. ALL 120 VOLT 15 AND 20 AMP OUTLETS IN THE KITCHEN HOOD AREA TO BE GFI PROTECTED PER THE NEC, PROVIDE ACCORDINGLY.
- E. MUH-1 AND EF-1 HAVE TWO CONNECTIONS TO CONTROL BOX. VERIFY WITH HOOD SUPPLIER.
- F. ALL EQUIPMENT SHALL BE CONNECTED WITH #12 GROUND UNLESS NOTED OTHERWISE.

Panel:		D (NEW)		Voltage: 120/208v, 3Ph, 4w											
No.	Amp/Note	Description	Ph	Code L	Code C	Code R	Code M	Code E	Code K	Code D	Code VA	Code VB	Code VC	Code VD	
1	20	31 - SALT AND BAG UNIT	- A -											1500	
3	2		- B -											1500	
5	20	EW-1	- C -											1500	
7	2		- A -											1500	
9	20	EW-2	- B -											1500	
11	2		- C -											1500	
13	30	65A- ICE MACHINE	- A -											1965	
15	2		- B -											1965	
17	30	68A- ICE MACHINE	- C -											1965	
19	2		- A -											1965	
21	20	45C- HOLDING UNIT	- B -											1123	
23	2		- C -											1123	
25	15	32A - EF-1	- A -											696	
27	1		- B -											696	
29	3		- C -											696	
31	15	32A - MAU-1	- A -											516	
33	1		- B -											516	
35	3		- C -											516	
37	20	SPARE	- A -											3100	
39	20	SPARE	- B -											3100	
41	20	SPARE	- C -											3100	
2	20	42A - REFRIGERATED TABLE	- A -											600	
4	20	42 T - HEATED WORK TOP	- B -											1200	
6	20	48B - BUN TOASTER	- C -											2496	
8	2		- A -											2496	
10	20	51B - WARMERS	- B -											1500	
12	20	52A - HOT/COLD CONEY TABLE	- C -											1800	
14	20	53 - HOT DOG WARMER	- A -											1404	
16	20	54 - HOT DOG CAROUSEL	- B -											1752	
18	20	6B - JUICER	- C -											1200	
20	20	SPARE	- A -											3100	
22	20	SPARE	- B -											3100	
24	-	SPACE	- C -											3100	
26	-	SPACE	- A -											3100	
28	-	SPACE	- B -											3100	
30	-	SPACE	- C -											3100	
32	-	SPACE	- A -											3100	
34	-	SPACE	- B -											3100	
36	-	SPACE	- C -											3100	
38	35	NEW RTU-5	- A -											3100	
40	1		- B -											3100	
42	3		- C -											3100	
Through		NONE	- A -												
Feed Lug			- B -												
Connection			- C -												
Breaker		NONE		0	0	3100	5142	1500	6000	0					
				0	0	3100	3177	1900	7075	0		</			