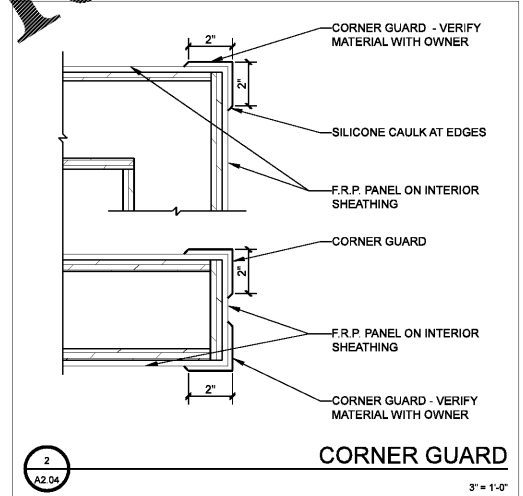
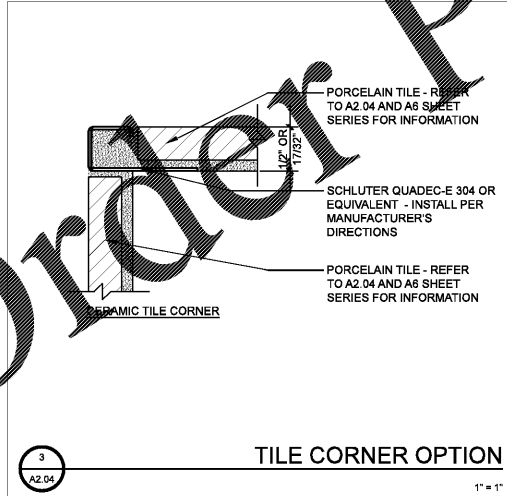


1  
 A2.04

FINISHES PLAN  
 1/4" = 1'-0"

Order Plans @



**WALL FINISH SCHEDULE**

SYMBOL	NOT USED	DESCRIPTION	MANUFACTURER	MODEL NUMBER	REMARKS
W1		FIBERGLASS REINFORCED PANEL	MARLITE	P-100 "WHITE"	
W2		STAINLESS STEEL PANEL (NSF)			
W3		7" X 20" GLAZED CERAMIC TILE WITH 3-1/2" X 20" BULLNOSE	DAL-TILE	EMBLEM GRAY #EM03 - RANDOM PATTERN	GROUT: CUSTOM BUILDING PRODUCTS, WINTER GRAY #335
W4		12" X 24" GLAZED CERAMIC TILE	DAL-TILE	SHOWSCAPE CURRANT SOLID #SH17 2 - GRID PATTERN	GROUT: CUSTOM BUILDING PRODUCTS, WINTER GRAY #335
W5		7" X 20" GLAZED CERAMIC TILE (ACCENT - ESTIMATED 15%)	DAL-TILE	EMBLEM - BROWN #EM04	GROUT: CUSTOM BUILDING PRODUCTS, WINTER GRAY #335
W6		LOW WALL & WINDOW SILL CAP	CORIAN - 1/2" THICKNESS	COLOR: CONCRETE	
P1		PAINT (HOLLOW METAL DOORS AND FRAMES)	SHERWIN WILLIAMS	SW#7055, ENDURING BRONZE	DTM OR INDUSTRIAL ENAMEL (DOORS & FRAMES)
P2		PAINT	SHERWIN WILLIAMS	SW#7067 CITYSCAPE, SEMI-GLOSS, LATEX	MEDIUM ORANGE PEEL TEXTURE
P3		PAINT	SHERWIN WILLIAMS	SW#7006 EXTRA WHITE, EGG SHELL	

**DRAWING LEGEND**

KEYED NOTES

- 1" X 1" STAINLESS CORNER GUARD OR SCHLUTER STRIP PER 312.04 - OWNER TO SELECT WHICH PRODUCT TO INSTALL - GENERAL CONTRACTOR TO SUPPLY AND INSTALL
- DASHED LINE INDICATES EXHAUST HOOD - VERIFY EXACT LOCATION WITH A2.01
- STAINLESS STEEL WALL PANEL - PANELS MINIMUM 18" BOTH SIDES OF HOOD
- DASHED LINE INDICATES ACOUSTICAL CEILING TILE, SOFFIT / BULKHEAD OR HEADER ABOVE
- 1/2" CORIAN CAP - REFER TO W6 ON THIS SHEET
- HOLLOW DOOR AND FRAME - PAINT BOTH SIDES P1
- HOLLOW DOOR AND FRAME - PAINT INTERIOR ONLY P3
- KITCHEN CORNER GUARDS - REFER TO 312.04