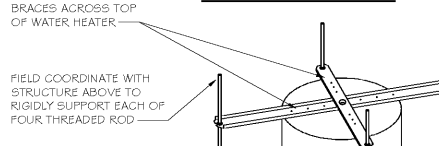
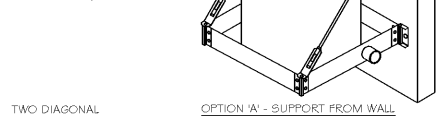
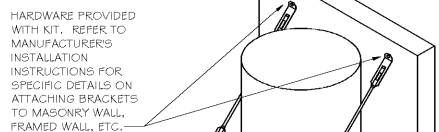
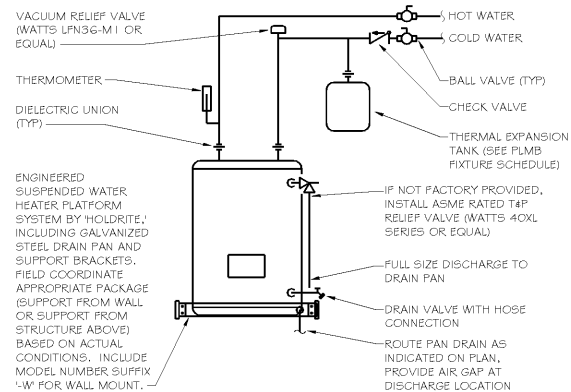


PLATFORM MOUNTED ELECTRIC WATER HEATER

NO SCALE



VACUUM RELIEF VALVE (WATTS LFN36-M1 OR EQUAL)
THERMOMETER
DIELECTRIC UNION (TYP)
ENGINEERED SUSPENDED WATER HEATER PLATFORM SYSTEM BY HOLDRITE, INCLUDING GALVANIZED STEEL DRAIN PAN AND SUPPORT BRACKETS. FIELD COORDINATE APPROPRIATE PACKAGE SUPPORT FROM WALL OR SUPPORT FROM STRUCTURE ABOVE) BASED ON ACTUAL CONDITIONS. INCLUDE MODEL NUMBER SUFFIX "W" FOR WALL MOUNT.

HARDWARE PROVIDED WITH KIT. REFER TO MANUFACTURER'S INSTALLATION INSTRUCTIONS FOR SPECIFIC DETAILS ON ATTACHING BRACKETS TO MASONRY WALL, FRAMED WALL, ETC.

OPTION 'A' - SUPPORT FROM WALL

FIELD COORDINATE WITH STRUCTURE ABOVE TO RIGIDLY SUPPORT EACH OF FOUR THREADED ROD

PROVIDE APPROPRIATE 'HOLDRITE' MODEL BASED ON SCHEDULED WATER HEATER VOLUME AND WATER HEATER DIAMETER

PRODUCT	GALLONS	MAXIMUM WEIGHT	PAN SIZE
#40 SWHP	6 TO 20	375	21.25" X 21.25"
#50 SWHP	30 TO 50	600	26.5" X 26.5"

ELECTRIC WATER HEATER SCHEDULE

MARK	TANK CAPACITY	RECOVERY	SETPOINT	ELECTRICAL	BASIS
WH-1	20 GAL	15 GPM @ 30° RISE	120°	3.0 KW	A.O. SMITH DEL-20

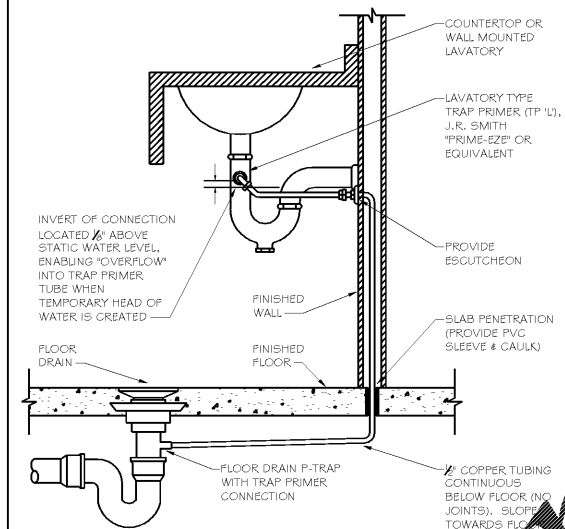
PRIOR TO SUBMITTAL OR PURCHASE, THE PLUMBING CONTRACTOR SHALL VERIFY THE APPROPRIATE ELECTRICAL CHARACTERISTICS OF THE SELECTED WATER HEATER. COORDINATE DIRECTLY WITH THE ELECTRICAL CONTRACTOR AND THE POWER PANEL SCHEDULES ON THE ELECTRICAL DRAWINGS.

PLUMBING FIXTURE SCHEDULE

MARK	DESCRIPTION	WASTE RUNOUT	WASTE CONN.	VENT	WATER RUNOUT		WATER CONN.		SPECIFICATION
					CW	HW	CW	HW	
L-1	LAVATORY (ADA) - UNDERMOUNT	2"	1 1/2"	2"	1/2"	1/2"	3/8"	3/8"	UNDERMOUNT LAVATORY (ADA) COMPLIANT (VALVE: C496.22-1) AND 0.5GPM SINGLE HANDLE FAUCET WITH 1/2" NPT CHROME FINISH (E-50 LF-HGMHD2). HANDLE CAP DRAIN OFFSET W/GRIP (E-2URR1) (E-1FC) AND CHROME PLATED P-TRAP (ZURN Z570-1-FC). CHROME PLATED BRASS SUPPLY STOPS WITH 1/2" LONG X 3/8" FLEX SUPPLIES (MCGUIRE H1655) WHERE NECESSARY. CONCEALED BY COUNTER SPROUD. REGULATE OFFSET, TRAP AND SUPPLY LINES TO BE LOCATED AT LEAST 1" FROM FACE OF COUNTER. PROVIDE MIXING VALVE TO TEMPER HOT WATER TO 110°F. PROVIDE WATER TREATMENT ASSE (1070, 1PAD FRT).
WC-1	WATER CLOSET - PRESSURE ASSIST TANK TYPE	4"	3"	2"	1/2"	---	---	---	FLOOR MOUNTED, TANK TYPE WATER CLOSET (AMERICAN STANDARD 'CADET FLOWSE', 2462-100), 1.1 GPF WHITE VITREOUS CHINA, PRESSURE ASSISTED FLUSH ACTION. TOP OF RIM AT 14" AFF. PROVIDE HEAVY DUTY OPEN FRONT SEAT, LESS COVER, WITH SELF-TANNING CHECK HINGE (BEMIS 10555C). CHROME PLATED BRASS ANGLE SUPPLY STOP WITH 1/2" LONG X 3/8" FLEX SUPPLY (MCGUIRE M166).
WC-2	WATER CLOSET (ADA) - PRESSURE ASSIST TANK TYPE	4"	3"	2"	1/2"	---	---	---	FLOOR MOUNTED, ADA TANK TYPE WATER CLOSET (AMERICAN STANDARD 'CADET FLOWSE', RIGHT HEIGHT: 2467-100), 1.1 GPF WHITE VITREOUS CHINA, PRESSURE ASSISTED FLUSH ACTION. TOP OF RIM AT 14.5" AFF. PROVIDE ALTERNATE TANK CONFIGURATION WITH TRIP LEVER ON RIGHT HAND SIDE IF NECESSARY TO HAVE LEVER ON MOST ACCESSIBLE SIDE OF WATER CLOSET. HEAVY DUTY OPEN FRONT SEAT, LESS COVER, WITH SELF-SUSTAINING CHECK HINGE (BEMIS 10555C). CHROME PLATED BRASS ANGLE SUPPLY STOP WITH 1/2" LONG X 3/8" FLEX SUPPLY (MCGUIRE M166).
UR-1	URINAL - HIGH EFFICIENCY WALL MOUNTED W/FLUSH VALVE	2"	2"	2"	3/4"	---	3/4"	---	WALL MOUNTED, FLUSH VALVE URINAL (AMERICAN STANDARD 'WASHBOOK', 6590-001), WHITE VITREOUS CHINA, HIGH EFFICIENCY WATERSEAL LINED. PROVIDE ZURN 1222 SUPPORT SYSTEM. COORDINATE MOUNTING HEIGHT(S) AND ADA DESIGNATIONS WITH ARCHITECTURAL DRAWINGS. PROVIDE CHROME PLATED URINAL FLUSHMETER, 0.5 GPF (AMERICAN STANDARD 'FLOWSE', 6045-051-002).
EWC-1	WATER CLOSET (ADA) - PRESSURE ASSIST TANK TYPE	2"	2"	2"	1/2"	---	1/2"	---	BIFURCATED WATER COOLER (ELKAY E2816C). ORIFICES AT 30 3/8" AND 32 7/8" AFF. @ 0.5 GPF OF 500G WATER @ 600G ROOM TEMPERATURE. PROVIDE SQUARED APRON (ELKAPR2) IF INSTALLED ON AN EXPOSED WALL FOR GARBAGE DETECTION. MOUNT WITH WALL CARRIER (ZURN 1225-BL).
SK-1	STAINLESS STEEL SINGLE BOWL UNDERMOUNT, SINGLE BOWL (ADA)	2"	1 1/2"	2"	1/2"	1/2"	3/8"	3/8"	STAINLESS STEEL SINGLE BOWL UNDERMOUNT SINK (ELKAY ELUH42-1) (555FD). BOWL DIMENSIONS: 23.5" L x 8.25" W x 5.5" D. ADA COMPLIANT 1.5 GPM FAUCET WITH FULL-OUT SPRAY (ELKAY IKS00D). SINGLE HOLE MOUNTING. MCGUIRE CHROME PLATED P-TRAP (WC-0). CHROME PLATED BRASS ANGLE SUPPLY STOPS, 1/2" LONG X 3/8" FLEX SUPPLIES. PROVIDE GARBAGE DISPOSAL (INSUPERATOR, BADGER S1 OR EQUAL).
BS-1	SINK	3"	3"	2"	1/2"	1/2"	1/2"	1/2"	24" X 24" FLOOR BASIN (PAT M86-342-4) AND SERVICE FAUCET WITH VACUUM BREAKER, INTEGRAL STOPS, PAIL HOOK AND 3/4" NOSE THREAD ON SPOUT (S30-AA). PROVIDE HOSE AND BRACKET (S37-AA), MOP HANGER (S69-CC), STAINLESS STEEL BUMPER/GUARD (E-88-AA) AND STAINLESS STEEL WALL GUARD (M86G24).
FD-1	FLOOR DRAIN - GENERAL PURPOSE	3"	3"	2"	---	---	---	---	GENERAL PURPOSE FLOOR DRAIN (J.R. SMITH #2005) WITH FLASHING COLLAR, ADJUSTABLE STRAINER HEAD & 5" ROUND NICKEL BRONZE STRAINER. PROVIDE SQUARE STRAINER FOR TILE APPLICATIONS. WHERE TRAP PRIMER IS SHOWN ON PLAN, PROVIDE TRAP PRIMER CONNECTION (E-PCB3).
TP-1	LAVATORY TYPE TRAP PRIMER	1/2"	1/2"	---	---	---	---	---	LAVATORY TRAP PRIMER SYSTEM WITH P-TRAP AND 1/2" PRIME TUBE WITH WALL ESCUTCHECH (J.R. SMITH 'PRIME-EZE'). ASSE STANDARD 1044.
WHA-X	WATER HAMMER ARRESTOR	---	---	---	see plan	---	see plan	---	WATER HAMMER ARRESTOR (J.R. SMITH SERIES 5005-5050), 3" IN WHA-X REFERS TO PIN SIZE INDICATED ON DRAWINGS.
ET-1	POTABLE WATER EXPANSION TANK	---	---	---	3/4"	---	3/4"	---	LEAD-FREE POTABLE WATER EXPANSION TANK (WATTS FLT-5). 2.1 GALLONS TOTAL VOLUME, 0.8 GALLONS MAXIMUM ACCEPTANCE VOLUME. TANK SHALL BE PRE-CHARGED TO THE SYSTEM PRESSURE PRIOR TO INSTALLATION (CONTRACTOR TO FIELD VERIFY).
MB-1	ICE MAKER/REFRIGERATOR BOX	---	---	---	1/2"	---	1/2"	---	ICE MAKER CONNECTION BOX (DATEY #BB 100 SERIES), 5/8", LOW LEAD, 1/4 TURN BRASS VALVE WITH INTEGRAL BROWNE INSTALLED WATER HAMMER ARRESTOR. PROVIDE BACKFLOW PREVENTER IN SUPPLY LINE (WATTS S03, ASSE 1022).

LAVATORY TRAP PRIMER

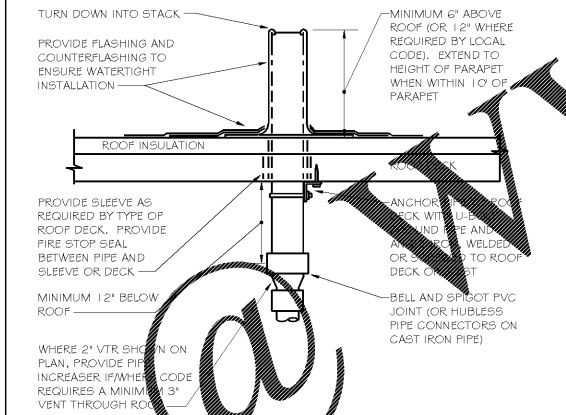
NO SCALE



COUNTERTOP OR WALL MOUNTED LAVATORY
LAVATORY TYPE TRAP PRIMER (TP-1), J.R. SMITH 'PRIME-EZE' OR EQUIVALENT
PROVIDE ESCUTCHEON
FINISHED WALL
FINISHED FLOOR
SLAB PENETRATION (PROVIDE PVC SLEEVE & CAULK)
FLOOR DRAIN
FLOOR DRAIN P-TRAP WITH TRAP PRIMER CONNECTION
COPPER TUBING CONTINUOUS BELOW FLOOR (NO JOINTS). SLOPE TOWARDS FLOOR DRAIN

VENT THROUGH ROOF (VTR)

NO SCALE



TURN DOWN INTO STACK
PROVIDE FLASHING AND COUNTERFLASHING TO ENSURE WATERTIGHT INSTALLATION
MINIMUM 6" ABOVE ROOF (OR 12" WHERE REQUIRED BY LOCAL CODE). EXTEND TO HEIGHT OF PARAPEET WHEN WITHIN 1' OF PARAPEET
ANCHOR VTR TO ROOF DECK WITH 4" DIA. AND 1/2" DIA. ANCHORS W/ WELDED OR EPICURE TO ROOF DECK OR TO CAST IRON PIPE
PROVIDE SLEEVE AS REQUIRED BY TYPE OF ROOF DECK. PROVIDE FIRE STOP SEAL BETWEEN PIPE AND SLEEVE OR DECK
MINIMUM 12" BELOW ROOF
BELL AND SPIGOT PVC JOINT (OR HUBLESS PIPE CONNECTORS ON CAST IRON PIPE)

WHERE 2" VTR SHOWN ON PLAN, PROVIDE PIPING INCREASED IF ANY LOCAL CODE REQUIRES A MINIMUM 3" VENT THROUGH ROOF
IT IS THE CONTRACTOR'S RESPONSIBILITY TO USE PROPER INSTALLATION METHODS TO ENSURE ROOF PENETRATION IS WATERTIGHT. LOCATE VTR MINIMUM FIFTEEN FEET FROM ANY FRESH AIR INTAKE, AND ONE FOOT FROM ANY VENT SURFACE. LOCATE VTR MINIMUM 18" FROM PARAPEET, EXPANSION JOINT, EQUIPMENT CURB, ETC. OFFSET IN CEILING SPACE WHERE REQUIRED TO MEET THESE CONDITIONS.

FIRE PROTECTION SPECIFICATIONS

EXISTING SPRINKLER SYSTEM SHALL BE MODIFIED AS NECESSARY TO COORDINATE WITH NEW CEILINGS, WALLS AND ARCHITECTURAL FEATURES SUCH AS SOFFITS. THE CONTRACTOR SHALL OBTAIN AND PAY FOR ALL PERMITS, CONNECTIONS, AND ANY OTHER FEES ASSOCIATED WITH THE INSTALLATION OF THE FIRE PROTECTION SYSTEM.

ALL ELEMENTS OF THE FIRE PROTECTION SYSTEM SHALL BE U.L. LISTED. ALL ELEMENTS OF THE FIRE PROTECTION SYSTEM SHALL CONFORM TO ALL REQUIREMENTS OF THE FOLLOWING:
NFPA 13, 14, 15, AND 24
ALL LOCAL, COUNTY AND STATE REGULATIONS
LOCAL FIRE MARSHAL REQUIREMENTS
INSURANCE UNDERWRITERS REQUIREMENTS

WHERE THE PENDENT SPRINKLER SHALL BE UTILIZED IN ALL AREAS, UNLESS OTHERWISE NOTED. INSTALL UPRIGHT SPRINKLERS IN AREAS WITH UNFINISHED CEILINGS. PENDENT-TYPE SPRINKLERS SHALL BE INSTALLED IN FINISHED CEILINGS. INSTALL SIDEWALL SPRINKLERS AS NEEDED FOR FULL COVERAGE.

ENSURE THERE IS AN EXISTING ALARM TEST CONNECTION FOR EACH SYSTEM NOT LESS THAN 1" DIA. IN ACCORDANCE WITH NFPA 13, 8.17.4.1, AND INSTALL AS NECESSARY.

THE CONTRACTOR SHALL FULLY COORDINATE ALL PHASES OF WORK WITH THE ARCHITECT AND ALL OTHER TRADES PRIOR TO AND DURING THE COURSE OF THE INSTALLATION IN ITS ENTIRETY. THE INSTALLATION AND THE PLACEMENT OF SPRINKLER HEADS AND SYSTEM DEVICES MUST BE COORDINATED WITH ARCHITECTURAL REFLECTED CEILING PLAN, MECHANICAL DUCTWORK AND EQUIPMENT, ELECTRICAL CONDUIT AND DEVICES, PLUMBING PIPING, AND THE STRUCTURAL CONSTRAINTS OF THE BUILDING.

ANY DISCREPANCIES ENCOUNTERED BY THE CONTRACTOR IN THE REPRESENTATION OF THESE DRAWINGS AND OR SPECIFICATIONS SHALL IMMEDIATELY BE COORDINATED WITH THE ARCHITECT.

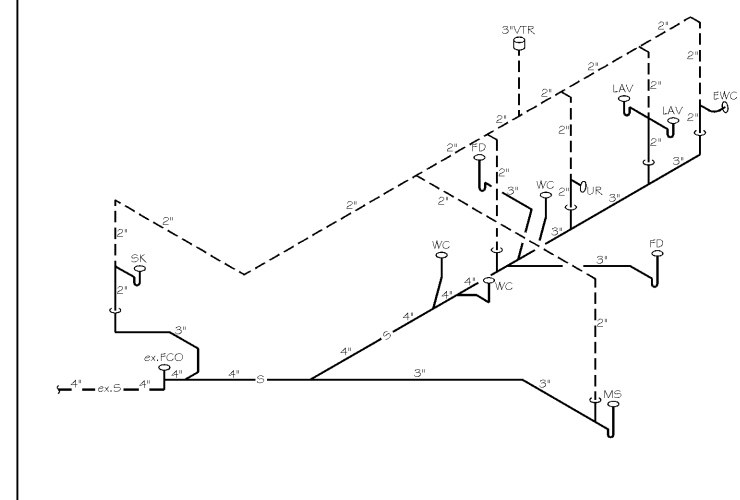
AS APPLICABLE, COORDINATE WITH ELECTRICAL CONTRACTOR FOR WIRING OF DEVICES REQUIRING INTERLOCK TO THE FIRE ALARM SYSTEM, SUCH AS TAMPER SWITCHES AND FLOW SWITCHES.

FIRE PROTECTION CONTRACTOR TO PROVIDE SHOP DRAWINGS AND HYDRAULIC CALCULATIONS WITH ALL PIPE SIZES, SPRINKLER LOCATIONS, FLOW AND TAMPER SWITCHES, INSPECTOR TESTS, ETC. THE SHOP DRAWINGS SHALL BE SUBMITTED TO ALL AUTHORITIES HAVING JURISDICTION AND TO OWNERS' INSURANCE UNDERWRITER FOR APPROVAL. AFTER APPROVAL HAS BEEN OBTAINED FROM THE ABOVE AGENCIES THE SHOP DRAWINGS SHALL BE SUBMITTED TO THE ENGINEER FOR FINAL REVIEW.

WHERE A DRY PIPE SPRINKLER SYSTEM IS PROVIDED, THE AIR COMPRESSOR SHALL BE BY VIKING CORPORATION OR GENERAL AIR PRODUCTS (OR EQUAL) AND LISTED FOR FIRE PROTECTION USE.

WASTE/VENT ISOMETRIC

NO SCALE



PROFICIENT ENGINEERING
6901 Peachtree Industrial Blvd Building 700
Peachtree Corners, Georgia 30092
404.330.9798
PROJECT #1191

REVISIONS

NO.	DESCRIPTION

OLLES BARGAIN OUTLET

SPAULDING VILLAGE
1424 NORTH EXPRESSWAY, SUITE 146, 147A
GRIFFIN, GEORGIA 30203



SEPTEMBER 24, 2018
100% CONSTRUCTION DOCUMENTS
RELEASE DATE

SCHEDULES AND DETAILS

© COPYRIGHT 2018 JEFFERSON BROWNE GRESHAM ARCHITECTS INC. THIS DOCUMENT AS AN INSTRUMENT OF SERVICE REMAINS THE PROPERTY OF JEFFERSON BROWNE ARCHITECTS AND NO PART THEREOF MAY BE REPRODUCED IN ANY FORM WITHOUT WRITTEN PERMISSION FROM JEFFERSON BROWNE ARCHITECTS.

Checked By: **P-002**
PROJECT # 18-2671 SHEET of

Order Plans