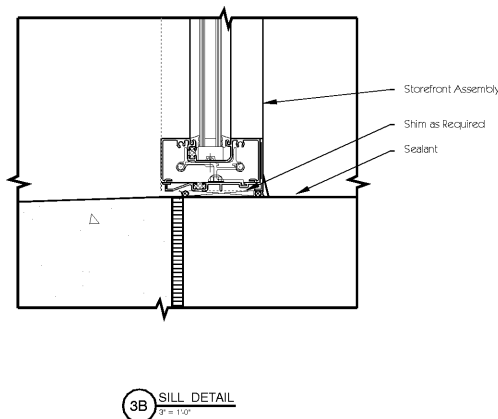
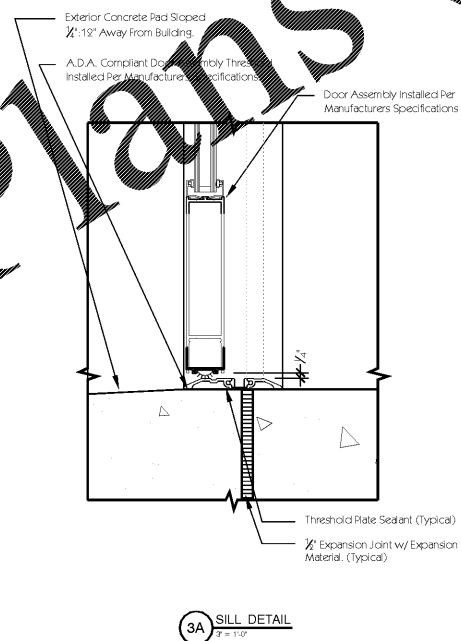
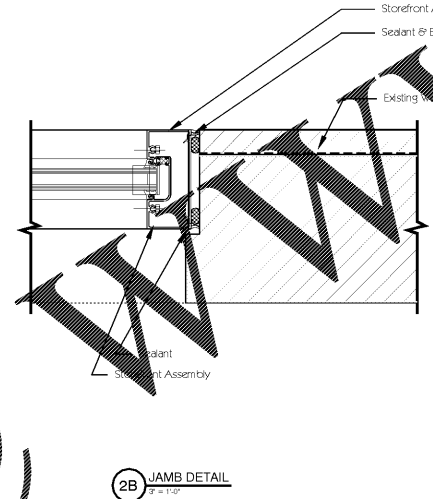
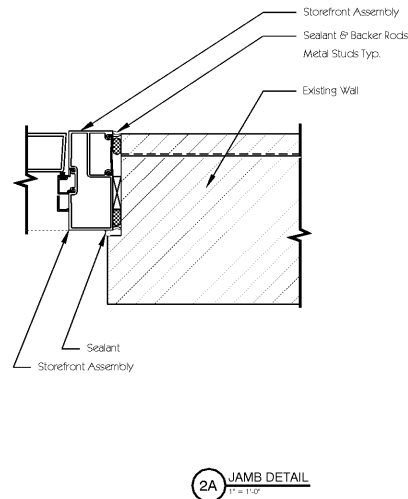
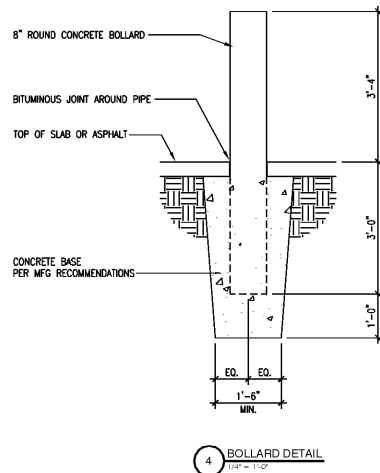
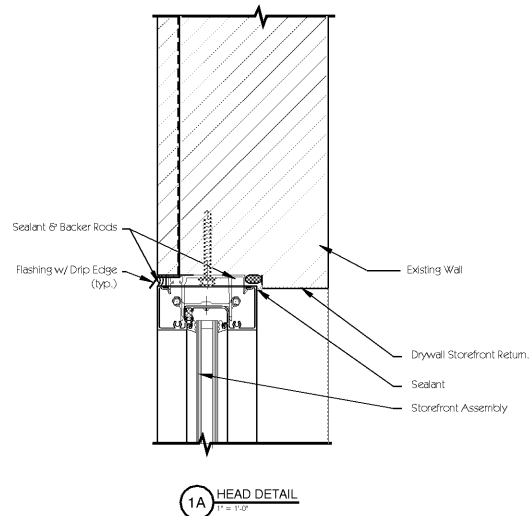


Order Plans @



STOREFRONT SCHEDULE

ID	DESCRIPTION	ACTUAL SIZE WIDTH	HEIGHT	WINDOW GLAZING	TEMPERED	HEAD DETAIL	JAMB DETAIL	SILL DETAIL	REMARKS
A	STOREFRONT	12'-0" 1/2"	TO MATCH EXISTING	LOW E2	●	1A	2A	3A	-
B	STOREFRONT	EXISTING	TO MATCH EXISTING	LOW E2	●	-	-	3B	-

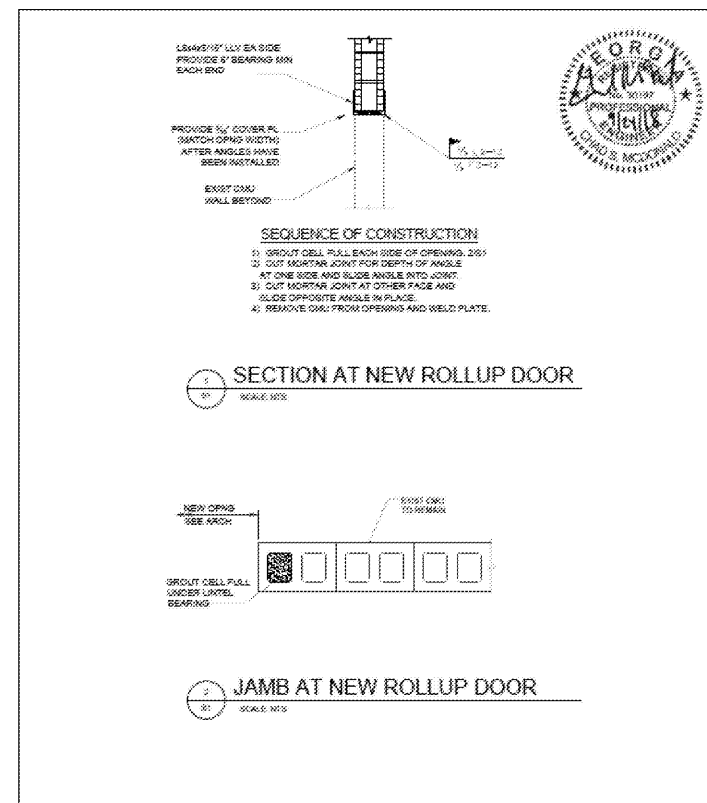
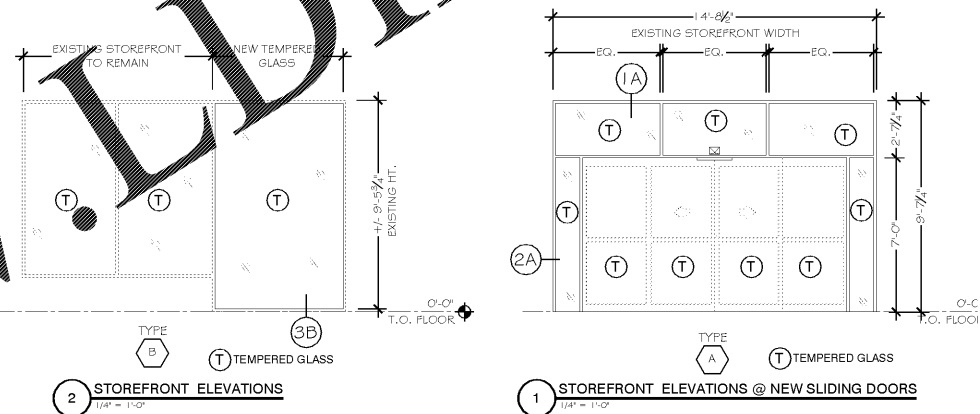
- NOTES:  
 1. STOREFRONT MANUFACTURERS SHALL BE RESPONSIBLE FOR CODE COMPLIANCES SPECIFIC TO STOREFRONT.  
 2. SHIM ALL UNITS AS REQUIRED PER MANUFACTURERS INSTRUCTIONS.

SELECTION FOR EXTERIOR STOREFRONT, DOORS AND FRAMES (TYP.):

STOREFRONT SYSTEM: TUBEUTE, TU 24000 NON-IMPACT STOREFRONT, HIGH PERFORMANCE DUAL THERMAL BREAK, OR APPROVED EQUAL  
 FINISH: MATCH CENTER STANDARD.  
 GLAZING: SOLARBAN 60 MINIMUM BY PPG, 1" INSULATING GLASS WITH GRAY TINT  
 ALL FRAMES: WIDE 2" x 4 1/2" DEEP  
 ALL SYSTEMS TO BE SUBMITTED TO AND APPROVED BY ARCHITECT

HARDWARE SCHEDULE

HARDWARE SETS  
 TYPE 1, CLOSER, ENTRY KEYED HARDWARE PANIC BAR ON INSIDE SIDE



TRIGBY ENGINEERING, LLC  
 2550 North Peach Street, Suite 111, Marietta, GA 30066  
 770.426.1200  
 www.trigbyengineering.com

OLLIES BARGAIN OUTLET  
 Spalding Village  
 1424 N Expressway  
 Griffin, GA 30223

DATE: 09/24/18  
 SHEET 51



REVISIONS

NO.	DESCRIPTION

OLLIES BARGAIN OUTLET  
 SPALDING VILLAGE  
 1424 NORTH EXPRESSWAY, SUITE 146, 147A  
 GRIFFIN, GEORGIA 30223



SEPTEMBER 24, 2018  
 PERMIT DOCUMENTS  
 RELEASED FOR CONSTRUCTION

STOREFRONT SCHEDULE AND DETAILS

DRAWING TITLE  
 © COPYRIGHT 2018 JEFFERSON BROWNE GRESHAM ARCHITECTS INC. THIS DOCUMENT AS AN INSTRUMENT OF SERVICE REMAINS THE PROPERTY OF JEFFERSON BROWNE ARCHITECTS AND NO PART THEREOF MAY BE REPRODUCED IN ANY FORM WITHOUT WRITTEN PERMISSION FROM JEFFERSON BROWNE ARCHITECTS.

Drawn By: [Signature]  
 Checked By: [Signature]  
 PROJECT # 18-2671  
 SHEET 51 OF 15