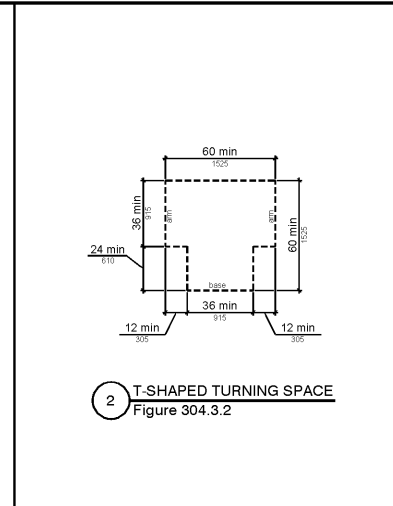
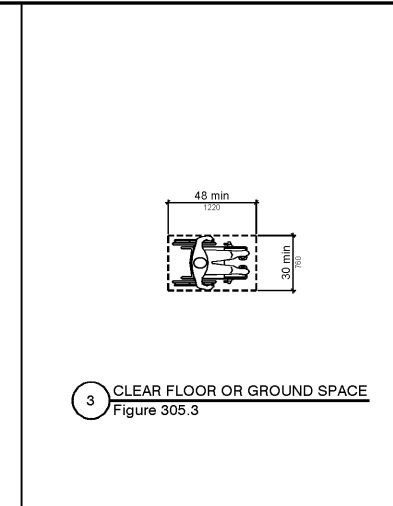


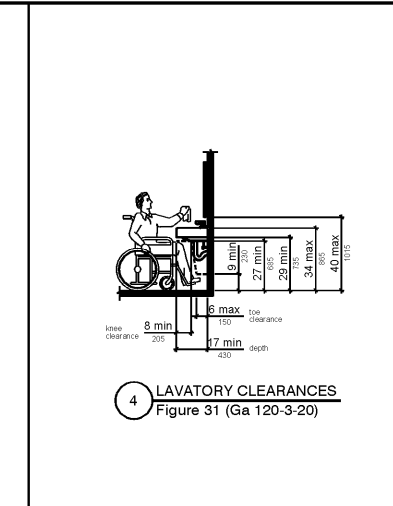
1 60 in. DIAMETER CIRCULAR TURNING SPACE
Figure 3 (Ga 120-3-20)



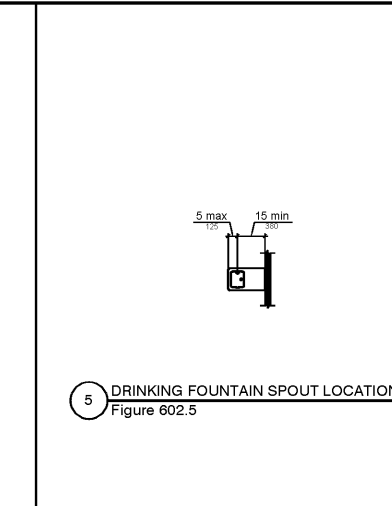
2 T-SHAPED TURNING SPACE
Figure 304.3.2



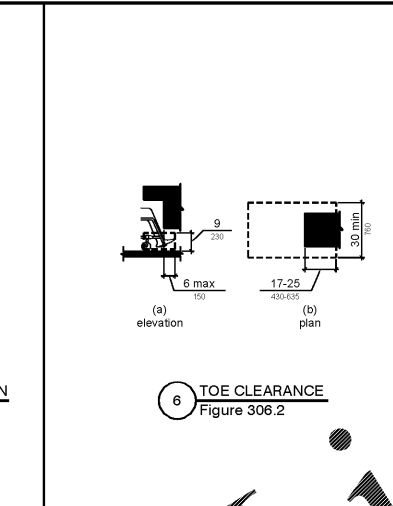
3 CLEAR FLOOR OR GROUND SPACE
Figure 305.3



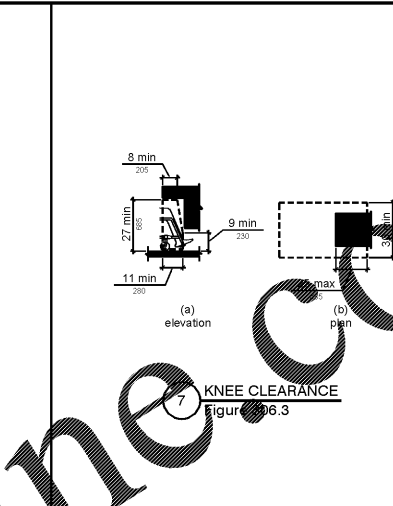
4 LAVATORY CLEARANCES
Figure 31 (Ga 120-3-20)



5 DRINKING FOUNTAIN SPOUT LOCATION
Figure 602.5



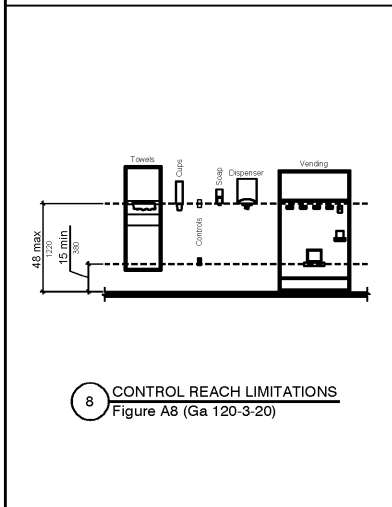
6 TOE CLEARANCE
Figure 306.2



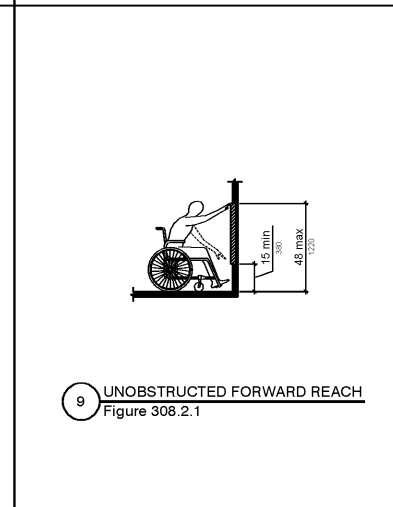
7 KNEE CLEARANCE
Figure 306.3

REVISIONS

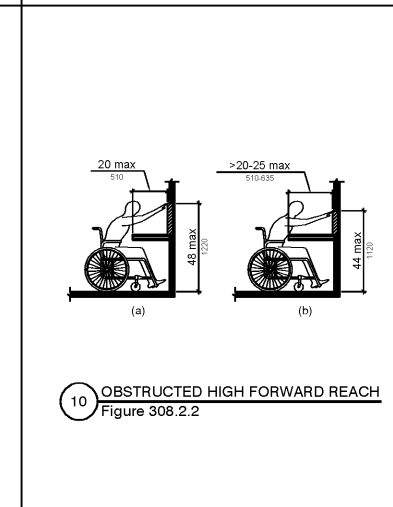
NO.	DESCRIPTION



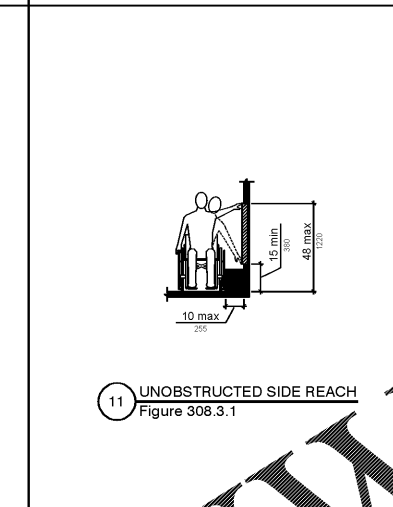
8 CONTROL REACH LIMITATIONS
Figure A8 (Ga 120-3-20)



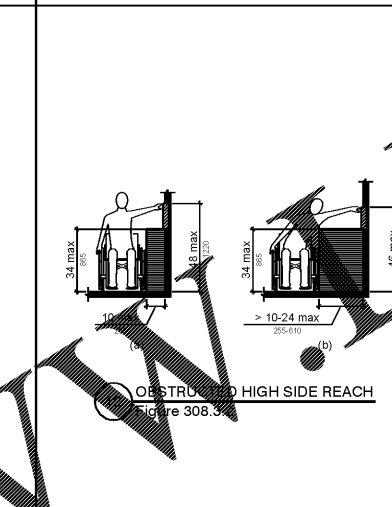
9 UNOBSTRUCTED FORWARD REACH
Figure 308.2.1



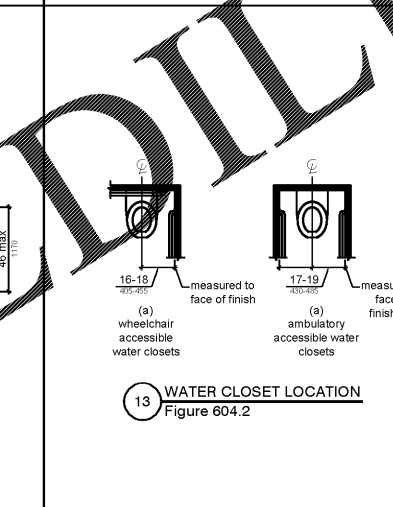
10 OBSTRUCTED HIGH FORWARD REACH
Figure 308.2.2



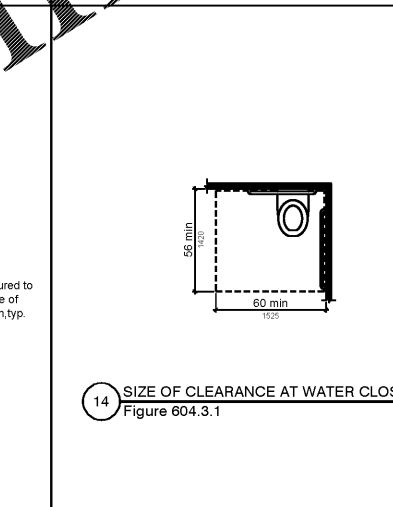
11 UNOBSTRUCTED SIDE REACH
Figure 308.3.1



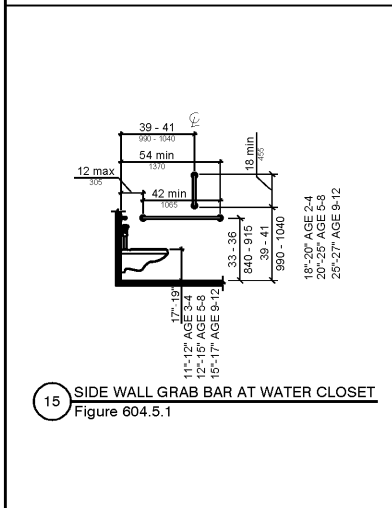
12 OBSTRUCTED HIGH SIDE REACH
Figure 308.3.2



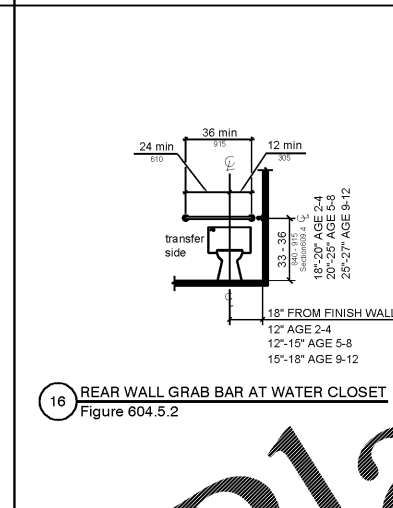
13 WATER CLOSET LOCATION
Figure 604.2



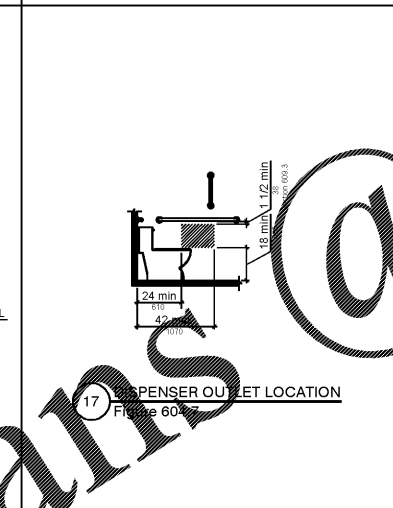
14 SIZE OF CLEARANCE AT WATER CLOSET
Figure 604.3.1



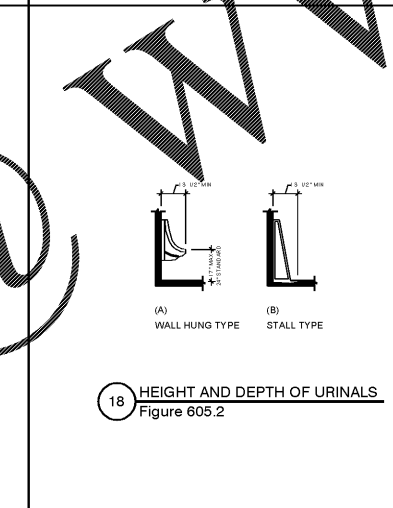
15 SIDE WALL GRAB BAR AT WATER CLOSET
Figure 604.5.1



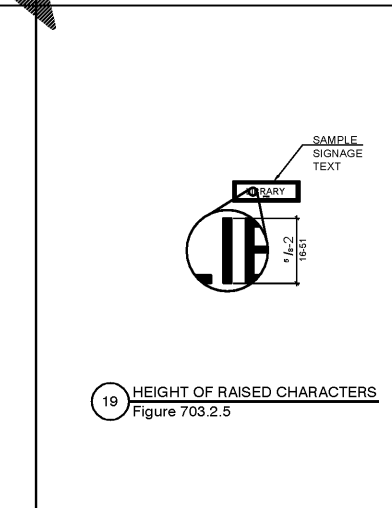
16 REAR WALL GRAB BAR AT WATER CLOSET
Figure 604.5.2



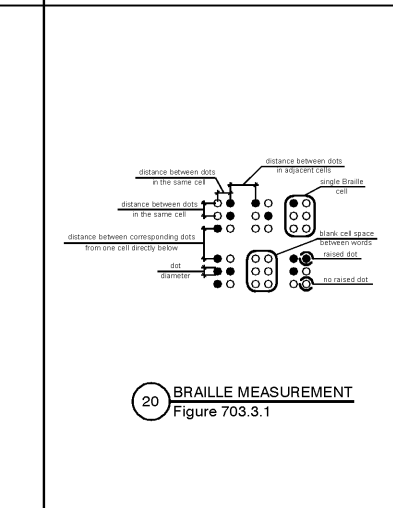
17 DISPENSER OUTLET LOCATION
Figure 604.5.3



18 HEIGHT AND DEPTH OF URINALS
Figure 605.2

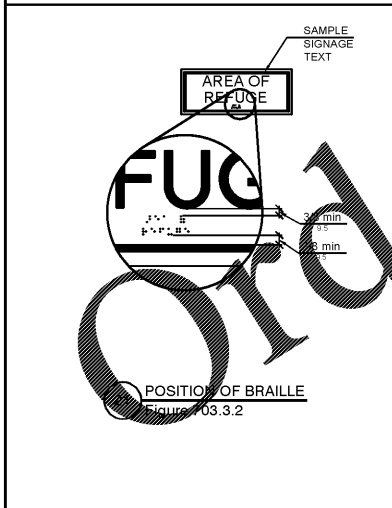


19 HEIGHT OF RAISED CHARACTERS
Figure 703.2.5

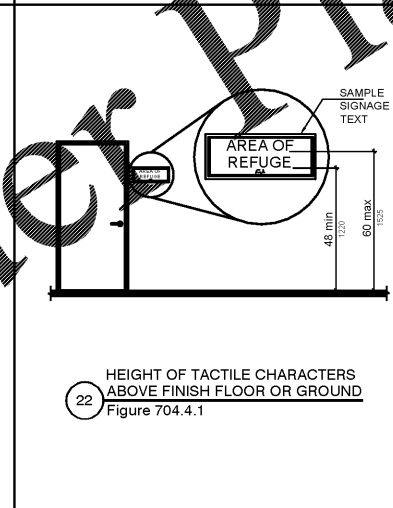


20 BRAILLE MEASUREMENT
Figure 703.3.1

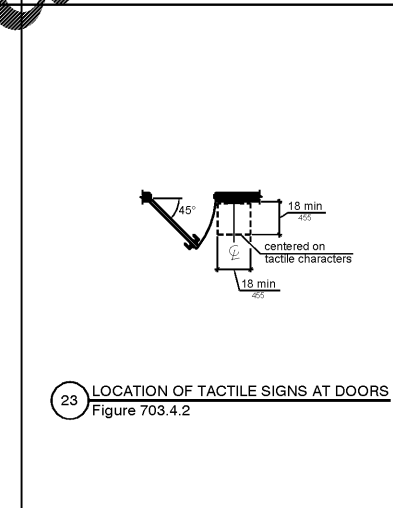
Convention	Description
36 915	dimension showing English units (in inches unless otherwise specified) above the line and SI units (in millimeters unless otherwise specified) below the line
6 150	dimension for small measurements
33-36 840-915	dimension showing a range with minimum - maximum
min	minimum
max	maximum
>	greater than
≥	greater than or equal to
<	less than
≤	less than or equal to
---	boundary of clear floor space or maneuvering clearance
○	centerline
—	a permitted element or its extension
→	direction of travel or approach
▬	a wall, floor, ceiling or other element cut in section or plan
▬	a highlighted element in elevation or plan
▬	location zone of element, control or feature



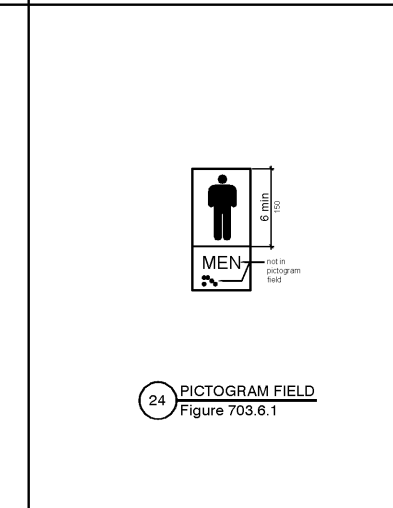
21 POSITION OF BRAILLE
Figure 703.3.2



22 HEIGHT OF TACTILE CHARACTERS ABOVE FINISH FLOOR OR GROUND
Figure 704.4.1



23 LOCATION OF TACTILE SIGNS AT DOORS
Figure 703.4.2



24 PICTOGRAM FIELD
Figure 703.6.1

A.D.A. DETAILS NOTE
1. DIAGRAMS, NOTES AND ILLUSTRATIONS ABOVE ARE PROVIDED BY THE "2010 ADA STANDARDS FOR ACCESSIBLE DESIGN" AND THE "GEORGIA ACCESSIBILITY CODE FOR BUILDINGS & FACILITIES - 120-3-20 HANDICAP ACCESSIBILITY LAW".

OLLES BARGAIN OUTLET
SPALDING VILLAGE
1424 NORTH EXPRESSWAY, SUITE 146, 147A
GRIFFIN, GEORGIA 30203



SEPTEMBER 24, 2018
PERMIT DOCUMENTS
RELEASED FOR CONSTRUCTION
RELEASE DATE

ADA
ACCESSIBILITY
DETAILS

DRAWING TITLE
© COPYRIGHT 2018
JEFFERSON BROWNE GRESHAM
ARCHITECTS INC.
THIS DOCUMENT AS AN
INSTRUMENT OF SERVICE
REMAINS THE PROPERTY OF
JEFFERSON BROWNE ARCHITECTS
AND NO PART THEREOF MAY BE
REPRODUCED IN ANY FORM
WITHOUT WRITTEN PERMISSION
FROM JEFFERSON BROWNE
ARCHITECTS
Drawn by:
Checked by:
A-201
PROJECT #
18-2671 SHEET 05 of 15